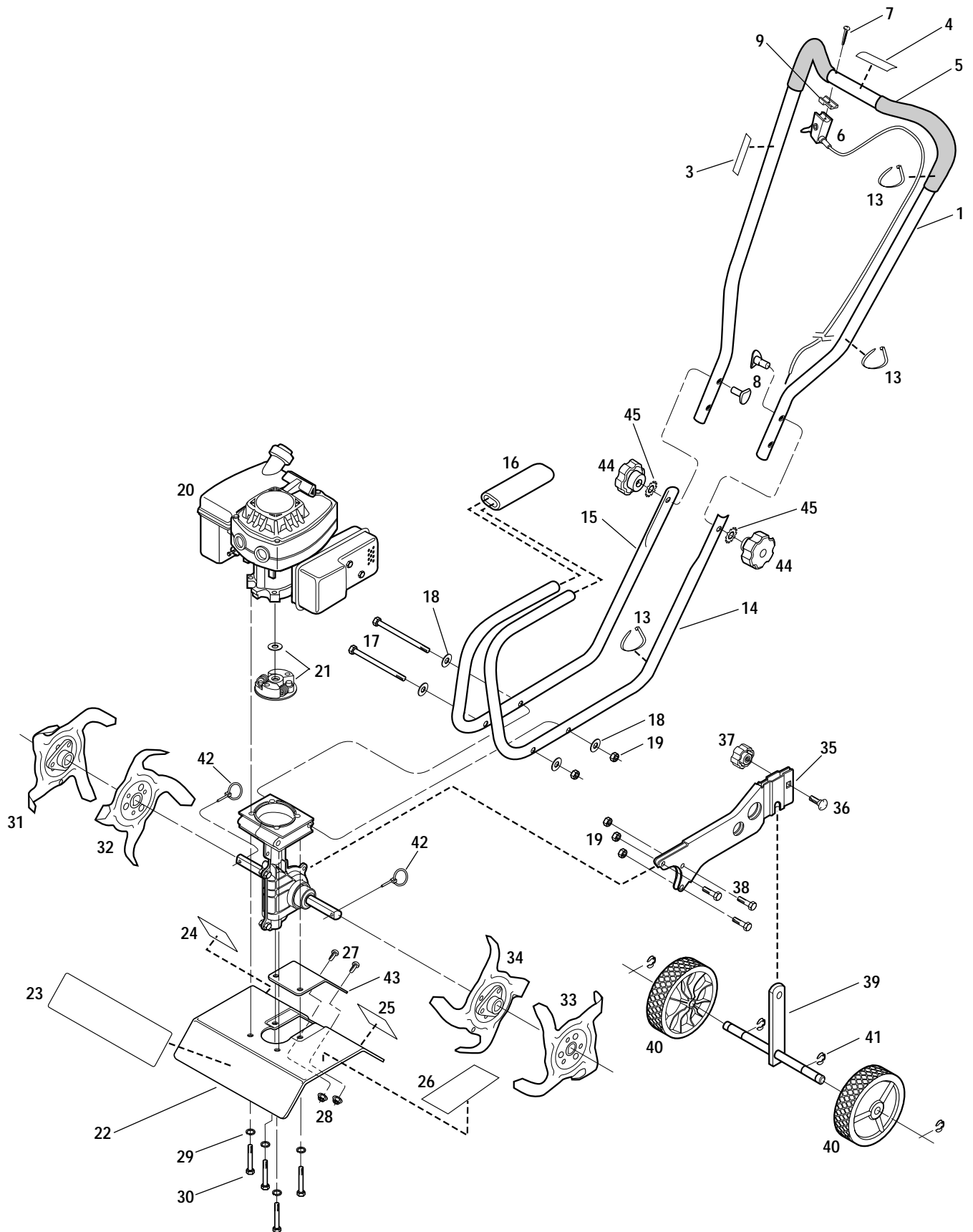


TRANSMISSION ASSEMBLY

Ref #	Part #	Description	Qty.
1	1915039	Transmission Case - left-side. (Incl. pressed-in bushing)	1
2	1915040	Transmission Case - right-side. (Incl. pressed-in bushing)	1
3	1983632	Oil Seal	2
4	1918307	Worm Input Shaft Assembly	1
5	1983731	Input Bearing	2
6	1983636	Thrust Bearing	1
7	1983637	Ball Bearing	1
8	1904416	Shaft Assembly. (Incl. pressed-on worm gear and two ring lock pins)	1
9	1909923	Oil Seal, Input	1
10	1185741	Plug, 1/8	3
11	1111600	Hex Screw, 1/4-20 x 7/8 (five locations, identified as "A" on transmission case)	5

Ref #	Part #	Description	Qty.
12	1100069	Hex Screw, 1/4-20 x 1 (three locations, identified as "B" on transmission case)	3
13	1817146	Locknut, Nyloc, 1/4"-20	8
14	1983635	Thrust Washer, output (.050")	A/R
15	1983640	Thrust Washer, output (.040")	A/R
16	1983641	Thrust Washer, input (.020")	A/R
17	1983642	Thrust Washer, input (.035")	A/R
18	1983638	Thrust Washer	2
19	1107381	Flat Washer, 1/4	2
20	1983663	Hex Hd. Screw, 1/4-20 x 5	2
21	1909486	Clutch Drum and Hub	1
22	1747166	Set Screw, 1/4-28 x 3/8	4
23	1915055	Dust Cover	2
24	1983713	Felt Washer	2

A/R – As Required



Ref #	Part #	Description	Qty.
1	1918303	Handlebar Ass'y. (Incl. Refs. 3, 4 & 5) . . . . .	1
3	1909939	Decal - Starting Stabilization . . . . .	1
4	1918221	Decal - Throttle/Tines Lever Operation . . . . .	1
5	1917451	Handlebar Grip, PVC . . . . .	2
6	1918123	Throttle/Tines Lever and Cable . . . . .	1
7	1750608	Pan Hd. Screw, #10-16 x 1-1/2 . . . . .	1
8	1731025	Saddle Hd. Screw, 5/16-18 x 2 . . . . .	2
9	1909775	Spacer, Throttle/Tines Lever . . . . .	1
13	1763682	Plastic Wire Tie . . . . .	3
14	1918120001	Lower Handlebar - Left-Side . . . . .	1
15	1918121001	Lower Handlebar - Right-Side . . . . .	1
16	1909720	Foam Sleeve . . . . .	1
17	1983663	Hex Hd. Screw, 1/4-20 x 5 . . . . .	2
18	1107381	Flat Washer, 1/4-20 . . . . .	2
19	1817146	Hex Locknut, 1/4-20 . . . . .	5
20	*	Engine . . . . .	1
21	1909487	Clutch Rotor and Washer . . . . .	1
22	1918124	Tine Shield (Incl. Refs. 23, 24, 25 & 26) . . . . .	1
23	1917773	Decal - Logo . . . . .	1
24	1904553	Decal - Warning, Rotating Tines . . . . .	1
25	1904549	Decal - Warning, Hot Surfaces . . . . .	1
26	1904552	Decal - Caution, Operation Hazards . . . . .	1
27	1186292	Hex Hd. Screw, #10-24 x 1/2 . . . . .	2
28	1186387	Flange Locknut, #10-24 . . . . .	2

Ref #	Part #	Description	Qty.
29	1100241	Lock Washer, 1/4-20 . . . . .	4
30	1100807	Hex Cap Screw, 1/4-20 x 2 . . . . .	4
31	1909540	Outer Tine - Right-Hand Side . . . . .	1
32	1909539	Inner Tine - Right-Hand Side . . . . .	1
33	1909712	Outer Tine - Left-Hand Side . . . . .	1
34	1909711	Inner Tine - Left-Hand Side . . . . .	1
35	1909680001	Wheel Bracket . . . . .	1
36	90077	Carriage Bolt . . . . .	1
37	1909835	Knob . . . . .	1
38	1100069	Hex Hd. Screw, 1/4-20 x 1 . . . . .	3
39	1909517001	Axle . . . . .	1
40	1917754	Wheel . . . . .	2
41	1729775	E-Ring . . . . .	4
42	1904321	Ring Lock Pin . . . . .	2
43	1981022010	Tine Hood Cover . . . . .	1
44	1763767	Knob . . . . .	2
45	1177038	Lock Washer, 5/16 . . . . .	2
----	1983648	**Long Bushing . . . . .	2

**OPTIONAL ATTACHMENTS**

----	12601	Edger Attachment . . . . .	1
----	12575	Power Lawn Rake Attachment . . . . .	1
----	12574	Lawn Aerator Attachment . . . . .	1

\* Order parts from your local authorized engine dealer. Refer to engine nameplate for model/type number.

\*\* Not shown. In hardware bag provided with unit.