

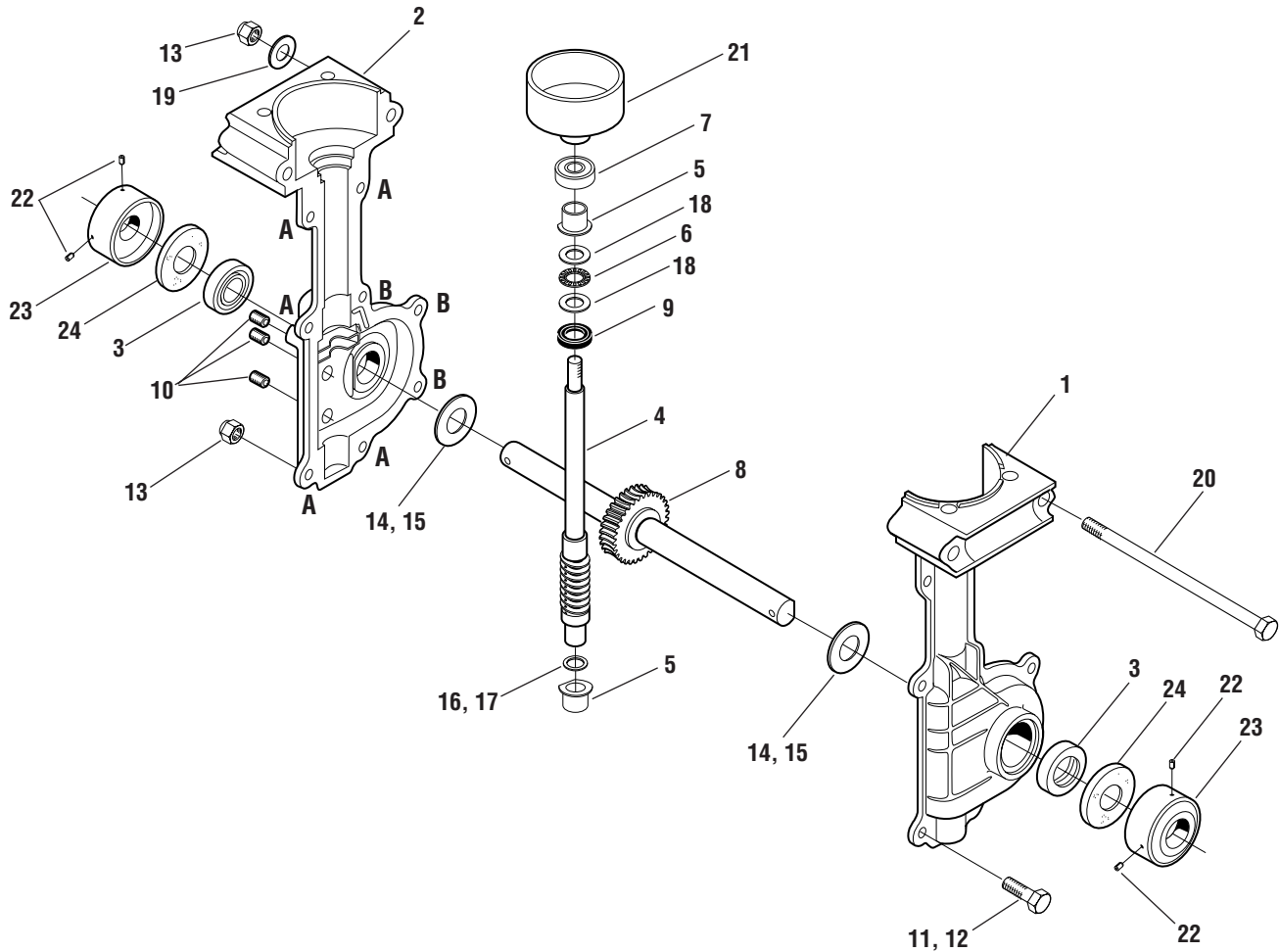
Ref #	Part #	Description	Qty.
1	1918303	Handlebar Assembly	1
3	777100007	Decal - Starting Stabilization	1
4	777100009	Decal - Throttle/Tines Lever Operation	1
5	1917451	Handlebar Grip, PVC	2
6	1918123	Throttle/Tines Lever and Cable	1
7	1750608	Pan Hd. Screw, #10-16 x 1-1/2	1
8	1731025	Saddle Hd. Screw, 5/16-18 x 2	2
9	1909775	Spacer, Throttle/Tines Lever	1
13	1763682	Plastic Wire Tie	3
14	1918120	Lower Handlebar - Left-Side	1
15	1918121	Lower Handlebar - Right-Side	1
16	1909720	Foam Sleeve	1
17	1983663	Hex Hd. Screw, 1/4-20 x 5	2
18	1107381	Flat Washer, 1/4-20	2
19	712-0324	Hex Locknut, 1/4-20	5
21	1909487	Clutch Rotor and Washer	1
22	1918124	Tine Shield	1
23	777D06104	Decal - Logo	1
24	777S00012	Decal - Warning, Rotating Tines	1
25	777S30647	Decal - Warning, Hot Surfaces	1
26	777S00013	Decal - Caution, Operation Hazards	1
27	1186292	Hex Hd. Screw, #10-24 x 1/2	2
28	1186387	Flange Locknut, #10-24	2
29	736-0329	Lock Washer, 1/4-20	4

Ref #	Part #	Description	Qty.
30	710-0501	Hex Cap Screw, 1/4-20 x 2	4
31	1909540	Outer Tine - Right-Hand Side	1
32	1909539	Inner Tine - Right-Hand Side	1
33	1909712	Outer Tine - Left-Hand Side	1
34	1909711	Inner Tine - Left-Hand Side	1
35	1909680	Wheel Bracket	1
36	GW-90077	Carriage Bolt	1
37	1909835	Knob	1
38	710-0206	Hex Hd. Screw, 1/4-20 x 1	3
39	1909517	Axle	1
40	1917754	Wheel	2
41	GW-9532	E-Ring	4
42	1185590	Hitch Pin	2
43	1981022	Tine Hood Cover	1
44	1763767	Knob	2
45	1177038	Lock Washer, 5/16	2

**EDGER ATTACHMENT**

46	1903777	Edger Wheel	1
47	1903778	Bushing - Short	1
48	1983648	Bushing - Long	2
49	1915054	Edger Tine	1

\* Order parts from your local authorized engine dealer. Refer to engine nameplate for model/type number.



TRANSMISSION ASSEMBLY

Ref #	Part #	Description	Qty.
1	1915039	Transmission Case - left-side. (Incl. pressed-in bushing)	1
2	1915040	Transmission Case - right-side. (Incl. pressed-in bushing)	1
3	1983632	Oil Seal	2
4	1918307	Worm Input Shaft Assembly	1
5	1983731	Input Bearing	2
6	1983636	Thrust Bearing	1
7	1983637	Ball Bearing	1
8	1904416	Worm Gear Shaft Assembly	1
9	1909923	Oil Seal, Input	1
10	1185741	Plug, 1/8	3
11	710-0206	Hex Screw, 1/4-20 x 7/8	5

Ref #	Part #	Description	Qty.
13	712-0324	Locknut, Nyloc, 1/4"-20	8
14	1983635	Thrust Washer, output (.050")	A/R
15	1983640	Thrust Washer, output (.040")	A/R
16	1983641	Thrust Washer, input (.020")	A/R
17	1983642	Thrust Washer, input (.035")	A/R
18	1983638	Thrust Washer	2
19	736-0463	Flat Washer, .25 x .630 x .0515	2
20	1983663	Hex Hd. Screw, 1/4-20 x 5	2
21	1909486	Clutch Drum and Hub	1
22	1747166	Set Screw, 1/4-28 x 3/8	4
23	1915055	Dust Cover	2
24	1983713	Felt Washer	2

A/R – As Required