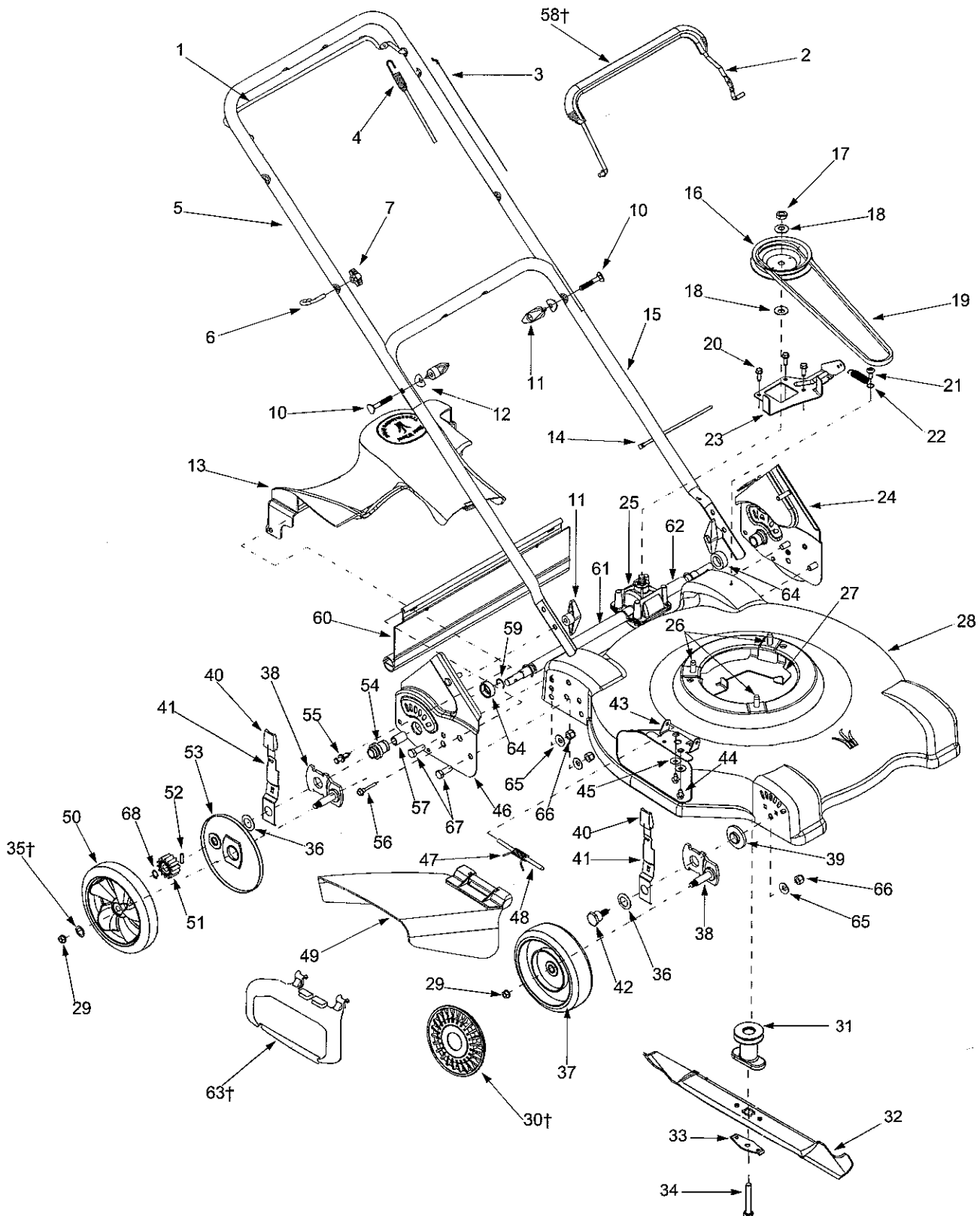


# SECTION 9: PARTS LIST FOR MODEL SERIES 280



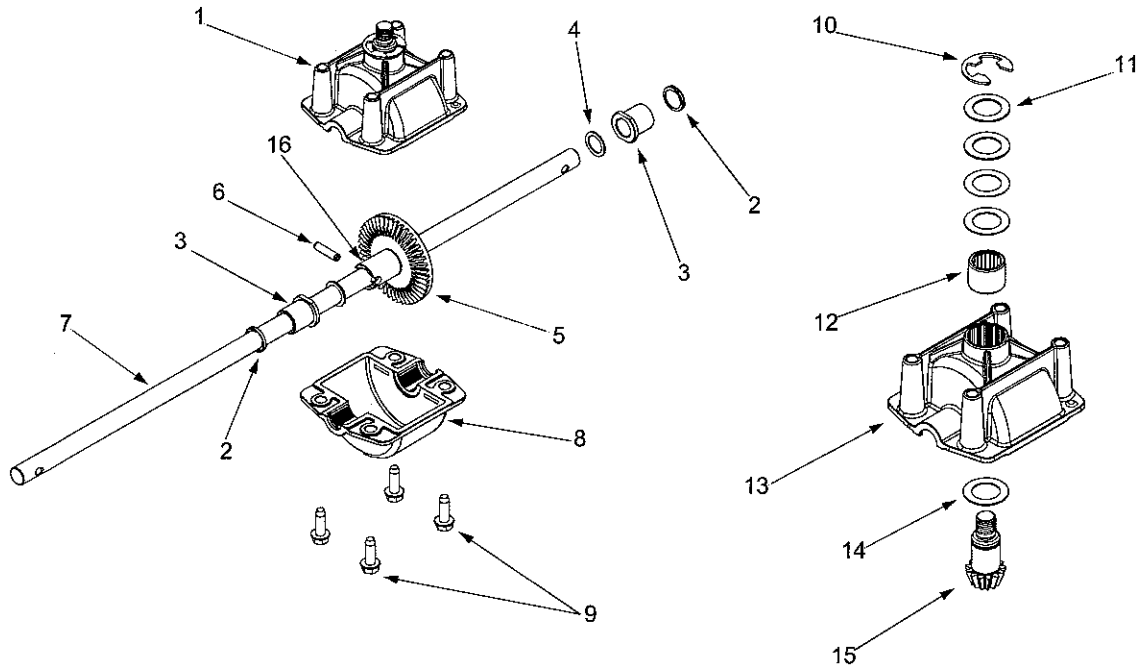
† If Equipped

## Model Series 280

Ref. No.	Part No.	Part Description	Ref. No.	Part No.	Part Description
1	747-1214	Drive Control Handle	37.	734-1980	Front Wheel 7 x 2 Link Black BB
2.	747-1161A	Blade Control Handle		734-1988	Front Wheel 7 x 1 8 Spoke Bar Gray
3.	746-1113	Blade Control Cable - 37.75"	38.	682-02094	Pivot Arm Assembly
	746-1132	Blade Control Cable - 40.75"	39.	741-0751	Height Adjuster Bearing
	746-1114	Blade Control Cable - 50.56"	40.	720-0426	Height Knob
4.	746-1093A	Drive Control Cable	41.	732-1026	Spring Lever
5.	749-1092A	Upper Handle	42.	738-1172	Shoulder Screw 3/8-16
6.	710-1205	Eye Bolt	43.	17032A	Deflector Chute Adapter
7.	720-0279	Wing Nut 1/4-20	44.	710-0599	Hex Washer Screw 1/4-20 x .50
10.	710-1174	Carriage Bolt 5/16-18 x 2.0	45.	736-0270	Bell Washer .265 ID x .75 OD
11.	720-0284	Wing Nut 5/16-18	46.	682-3072	Handle Bracket Assembly - RH
12.	736-0451	Shoulder Washer 320 ID x 93 OD	47.	732-1014	Torsion Spring
13.	731-0074	Transmission Cover	48.	747-0710	Hinge Pin
14.	725-0157	Cable Tie	49.	731-1034B	Side Discharge Chute Assembly
15.	749-04037	Lower Handle	50.	734-1983A	Rear Wheel 8 x 2 Link Black
16.	756-1169	Transmission Pulley		634-0190	Rear Wheel 8 x 1.8 Spoke Bar Gray
17.	712-0240	Jam Nut 7/16-20	51.	717-1762	Spur Gear 14T RH
18.	736-0407	Bell Washer .45 ID x 1.00 OD		717-1761	Spur Gear 14T LH
19.	754-0484	V-Belt	52.	715-0221	Pin
20.	710-0642	Hex Washer Screw 1/4-20 x 75	53.	731-04643	Wheel Cover
21.	738-1002	Shoulder Screw 375 x 25	54.	748-0455	Bearing Support
22.	732-0993	Extension Spring	55.	728-0199	Plastic Rivet
23.	782-9061	Transmission Belt Bracket	56.	710-1802	Screw 1/4-20
24.	682-3073	Handle Bracket Assembly - LH	57.	741-0710	Sleeve Bearing
25.	618-0607A	Transmission Assembly	58.	731-2626†	Deluxe Bail Cover
26.	710-0654A	Hex Washer Screw 3/8-16 x 1.0	59.	716-0198	Retainer Ring
27.	782-9063	Engine Belt Keeper Bracket	60.	731-04019	Trail Shield
28.	687-02049	22" Deck Assembly	61.	750-1210	Sleeve Spacer .550 ID x 9.0 OD
29.	712-0431	Flange Lock Nut 3/8-16	62.	750-1209	Sleeve Spacer .550 ID x 2.44 OD
30.	731-0981A†	Hub Cap	63.	631-04045†	Snap Mulching Plug
31.	748-04016A	One Piece Blade Adapter	64.	748-0390	Bearing Spacer
32.	742-0742A	22" Mulching Blade	65.	736-0105	Bell Washer 401 ID x 870 OD
33.	736-0524A	Bell Blade Support	66.	712-0130	Hex Lock Nut 3/8-16
34.	710-1044	Hex Cap Screw 3/8-24 x 2.5	67.	710-0514	Hex Cap Screw 3/8-16 x 1.0
35.	736-3013†	Flat Washer 1/2 x 1.00 x .030	68.	716-0865	Snap Ring .500
36.	736-0741	Bell Washer .401 ID x .870 OD			

† If Equipped

# Model Series 280



Ref. No.	Part No.	Part Description
1.	618-0392	Upper Housing Assembly
2.	721-0329	Oil Seal.500 ID x 687 OD
3.	741-0673	Flange Bearing .503 ID x 689 OD
4.	736-0520	Flat Washer.504 ID x .700 OD x .030
	736-0711	Flat Washer.504 ID x 700 OD x .035
	736-0712	Flat Washer.504 ID x .700 OD x .040
	736-0713	Flat Washer.504 ID x .700 OD x .045
5.	717-1723	Bevel Gear 44T
6.	715-0139	Roll Pin
7.	711-1649	Output Shaft
8.	719-0538	Lower Housing
9.	710-1276	Hex Washer Screw 1/4-20 x .75
10.	716-0231	E-Ring.750
11.	736-0336	Flat Washer 625 ID x 1.0 OD x .030
	736-0337	Flat Washer 625 ID x 1.0 OD
	736-0349	Flat Washer.63 ID x 1.0 OD x .020
	736-0494	Flat Washer.632 ID x 1.0 OD x .035
	736-0495	Flat Washer 632 ID x 1.0 OD x .035
12.	741-0735	Needle Bearing 625 x .813
13.	719-0537	Upper Housing
14.	736-0336	Flat Washer 625 ID x 1.0 OD x .030
	736-0494	Flat Washer 632 ID x 1.0 OD x .035
15.	711-1390A	Input Shaft
16.	750-1242	Spacer.505 x .75 x .9765