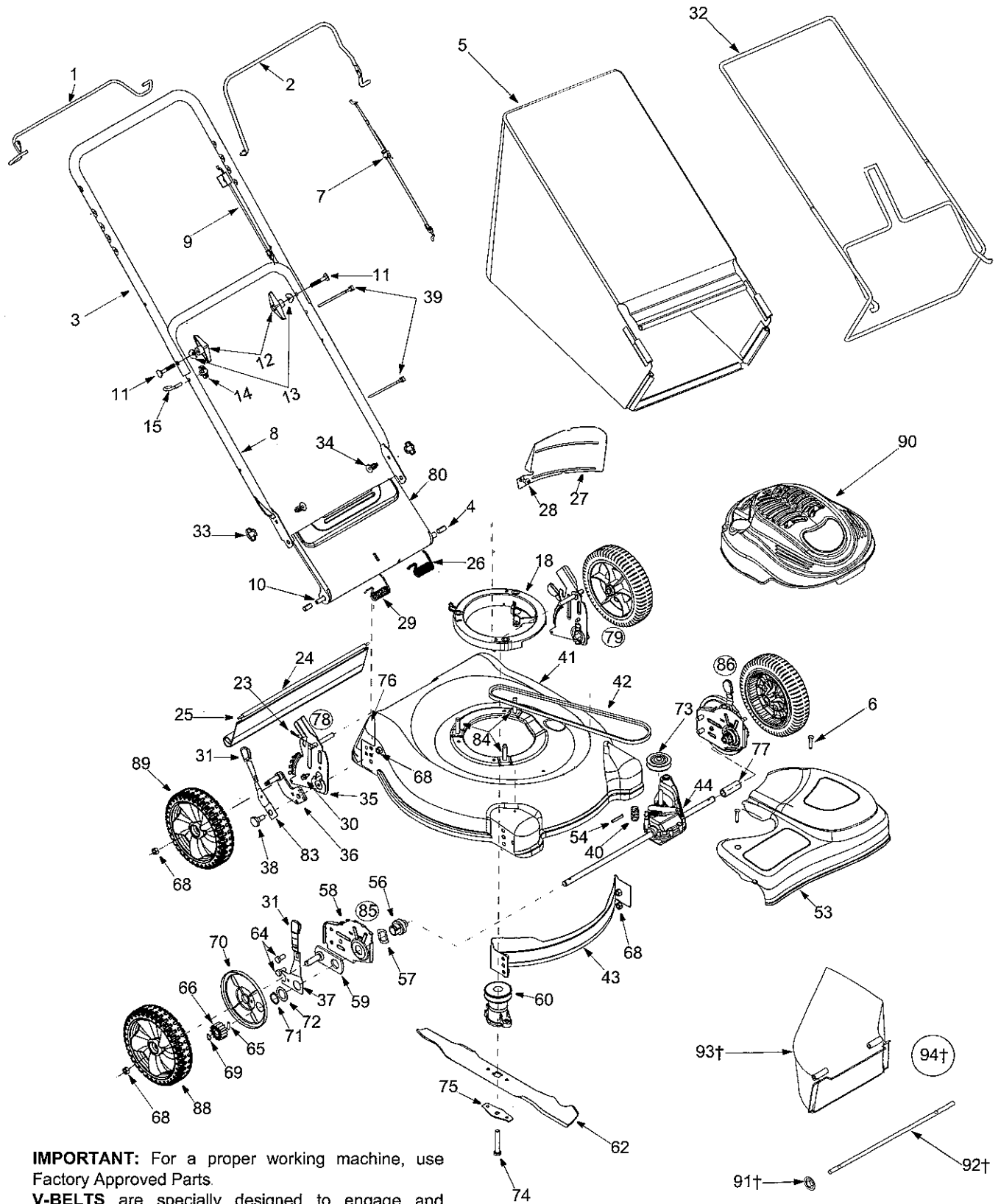


SECTION 11: PARTS LIST FOR MODEL 445



IMPORTANT: For a proper working machine, use Factory Approved Parts.
V-BELTS are specially designed to engage and disengage safely. A substitute (non OEM) V-Belt can be dangerous by not disengaging completely.

† If Equipped

Model 445

Ref. No	Part No.	Description	Ref. No	Part No.	Description
1	747-1214	Lower Bail Handle	44.	618-0657	Transmission Assembly Compl.
2.	747-1161A	Blade Control Handle	53.	731-04580	Front Drive Cover: Yellow
3	749-1092A	Upper Handle	54.	715-04011	Roll Pin
4	750-04162	Spacer 390OD x 810ID x .950"	56.	682-0015	Bearing Assembly
5	664-04027	Grass Bag	57.	736-0447	Wave Washer
6	710-1650	Shoulder Screw	58.	782-0512B	Height Adj. Plate RH
7	746-1114	Control Cable: 50.56"		782-0511A	Height Adj. Plate LH
8.	749-0928A	Lower Handle	59.	687-02044	Pivot Plate Assembly
9.	746-04112	Drive Cable	60	748-04015A	21" One Piece Blade Adapter
10	747-04035	Rear Door Pivot Rod	62	742-0741	Mulching Blade w/ Star: 21"
11	710-1174	Carriage Bolt	64.	710-0216	Hex Screw
12.	720-0284	Handle Knob	65.	715-0221	Dowel Pin
13.	736-0451	Saddle Washer	66.	717-1762	Gear 14T RH
14.	720-0279	Wing Nut		717-1761	Gear 14T LH
15.	710-1205	Rope Guide	68.	712-0431	Hex Nut
18.	631-0075B	Engine Spacer Assembly	69.	716-0865	Snap Ring
23.	714-0104	Hairpin Clip	70.	782-7551	Wheel Dust Cap
24	731-1236	Rear Trail Shield	71.	716-0102	Snap Ring
25	732-0700	Trail Shield Wire	72.	736-0474	Washer DD 1 5" O D.
26.	732-04089	Torsion Spring LH	73	756-04017	Input Pulley
27	782-5003	Rear Baffle LH	74.	710-1257	Hex Bolt
28	710-1017	Scr AB 1/4-14 x 0.625"	75.	736-0524A	Bell Blade Support
29.	732-04090	Torsion Spring RH	76	782-5004A	Rear Baffle RH
30.	710-1652	Hex Scr. w/ Wash. 1/4-20 x 0.625"	77.	750-1166	Slev. Spacer LH
31.	720-0426	Knob		750-04178	Slev. Spacer RH
32.	747-04080	Grass Catcher Frame	78.	687-02068	Handle Brkt Assembly RH Compl.
33.	712-0397	Wing Nut	79.	687-02069	Handle Brkt Assembly LH Compl.
34.	710-0703	Hex Carriage Screw	80.	731-04134	RD Chute Door
35	787-01144	Handle Bracket RH	83.	732-04175	Spring Lever
	787-01143	Handle Bracket LH	84.	710-1008	TT Screw
36.	687-02071	Pivot Arm Assembly RH	85.	682-0512A	Height Adj. Assembly RH Compl.
	687-02070	Pivot Arm Assembly LH	86.	682-0511A	Height Adj. Assembly LH Compl.
37.	732-0706	Front Lever RH	88.	634-04100	Front Wheel Complete, 8x1.8
	732-0707	Front Lever LH	89	734-04087	Rear Wheel Complete, 8x1.8
38.	738-0507B	Shoulder Screw	90	731-04525	Engine Shroud
39.	726-0240	Cable Tie	91.	726-0201†	Nut: Spd.3125ID
40.	732-1043	Belt Tension Spring	92.	711-0996†	Rod
41.	787-01007	Rear Discharge Deck: 21"	93.	731-1405†	Side Discharge Adapter
42.	754-0637A	V-Belt	94.	190-104-000†	Chute Deflector Complete
43.	782-5002A	Front Baffle			

† If Equipped