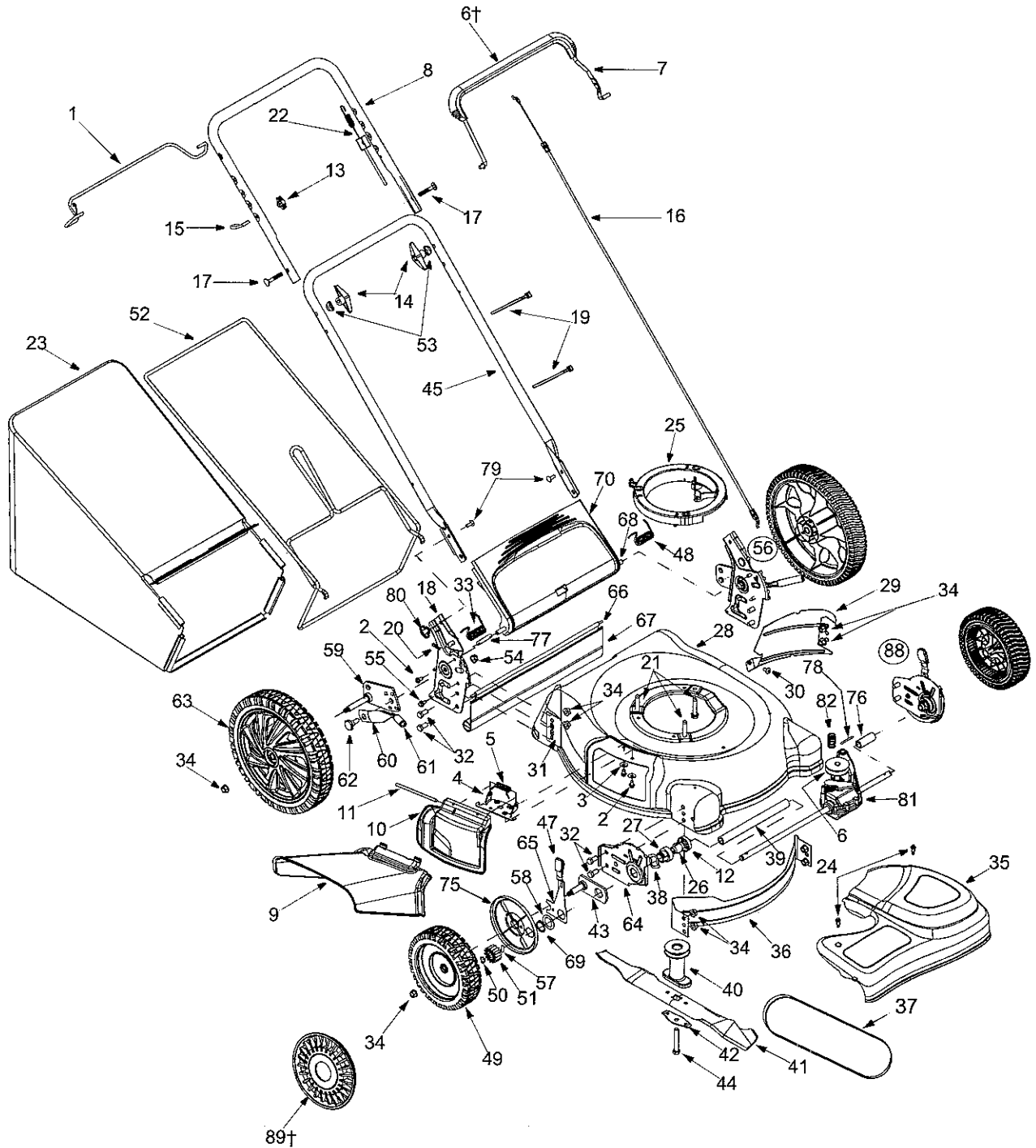


SECTION 10: PARTS LIST FOR MODEL SERIES 560



IMPORTANT: For a proper working machine, use Factory Approved Parts. **V-BELTS** are specially designed to engage and disengage safely. A substitute (non OEM) V-Belt can be dangerous by not disengaging completely.

† If Equipped

Model Series 560

Ref. No	Part No.	Description	Ref. No	Part No.	Description
1.	747-1214	Lower Bail Handle	43.	687-02044	Pivot Plate Assembly
2.	710-0599	TT Screw 1/4-20 x 0.5	44.	710-1257	Hex Screw 3/8-24 x 2.50
3.	736-0270	Bell Washer 265 x 0.75	45.	749-0928A	Lower Handle
4.	17032A	Deflector Chute Adapter	47.	720-0426	Adjustment Knob
5.	732-1014	Torsion Spring	48.	732-04089	Torsion Spring LH
6.	731-2626†	Deluxe Bail Cover	49.	734-2042	Wheel 8 x 2.125
7.	747-1161A	Blade Control Handle	50.	716-0865	Snap Ring
8.	749-1092A	Upper Handle	51.	717-1762	Gear 14T RH FWD
9.	731-04177	Chute Deflector		717-1761	Gear 14T LH FWD *
10.	687-02055	Mulch Plug Complete	52.	747-04080	Grass Bag Frame
11.	747-0710	Hinge Pin	53.	736-0451	Saddle Washer
12.	732-0708	Bearing Retainer	54.	712-3005	Hex Flange Lock Nut 3/8-16
13.	720-0279	Handle Knob	55.	710-1652	TT Scr. w/Washer 1/4-20 x.625
14.	720-0284	Handle Knob	56.	687-02056	RH Handle Bracket Assembly
15.	710-1205	Eye Bolt		687-02057	LH Handle Bracket Assembly
16.	746-1113	Control Cable - 37.75"	57.	715-0221	Dowel Pin
	746-1132	Control Cable - 40.75"	58.	736-0474	Washer
	746-1141	Control Cable - 58.25"	59.	687-02039	Pivot Arm Assembly - RH
17.	710-1174	Carriage Bolt 5/16-18 x 2.0		687-02040	Pivot Arm Assembly - LH
18.	687-02033	RH Handle Bracket	60.	732-0866	Rear Spring Lever
	687-02031	LH Handle Bracket	61.	720-0312	Foam Grip
19.	726-0240	Cable Tie	62.	738-0507B	Shoulder Scr 500 Dia. x.434
20.	714-0104	Cotter Pin	63.	734-04093	Wheel, 12 x 2.125
21.	710-1008	Self-Tapping Sems Screw	64.	782-0512B	Height Adjuster Plate - RH
22.	746-04112	Drive Cable - 50.50"		782-0511A	Height Adjuster Plate - LH*
23.	664-04007	Grassbag Assembly	65.	732-0706	Front Lever - RH
24.	710-1650	Shoulder Screw # 12 -24		732-0707	Front Lever - LH*
25.	631-0075B	Engine Spacer	66.	732-0700	Wire
26.	741-0604A	Bearing Sleeve	67.	731-1236	Rear Trailing Shield
27.	748-0355	Bearing Support	68.	747-0996	Pivot Rod
28.	787-01106	21" Deck	69.	716-0102	Snap Ring
29.	782-5003	LH Rear Baffle	70.	731-04134	Rear Discharge Door
30.	710-1017	Screw AB: 1/4-14: 625	75.	782-7551	Wheel Dust Cap
31.	782-5004A	RH Rear Baffle	76.	756-04017	Input Pulley
32.	710-0216	Hex Screw 3/8-16 x.75	77.	750-04162	Spacer 375 x 50 x 1.02" Lg
33.	732-04090	Torsion Spring RH	78.	715-04011	Roll Pin
34.	712-0431	Flange Lock Nut 3/8-16	79.	710-0703	Carriage Bolt 1/4-20
35.	731-04585	Transmission Cover (Gray)	80.	712-0397	Wing Nut
36.	782-5002A	Front Baffle	81.	618-0657	Transmission Assembly
37.	754-0637A	V-Belt	82.	732-1043	Belt Tension Spring
38.	736-0447	Wave Washer	83.	750-1166	Slev. Spacer 2 1" Lg
39.	750-04178	Sleeve Spacer 9.04' Lg.	88.	682-0512A	Height Adjustment Assembly RH
40.	748-04015A	Blade Adapter w/ Pulley		682-0511A	Height Adjustment Assembly LH*
41.	742-0741	21" Mulching Blade	89.	731-0981A†	Hub Cap
42.	736-0524A	Blade Bell Support			

* Not shown in illustration

† If Equipped