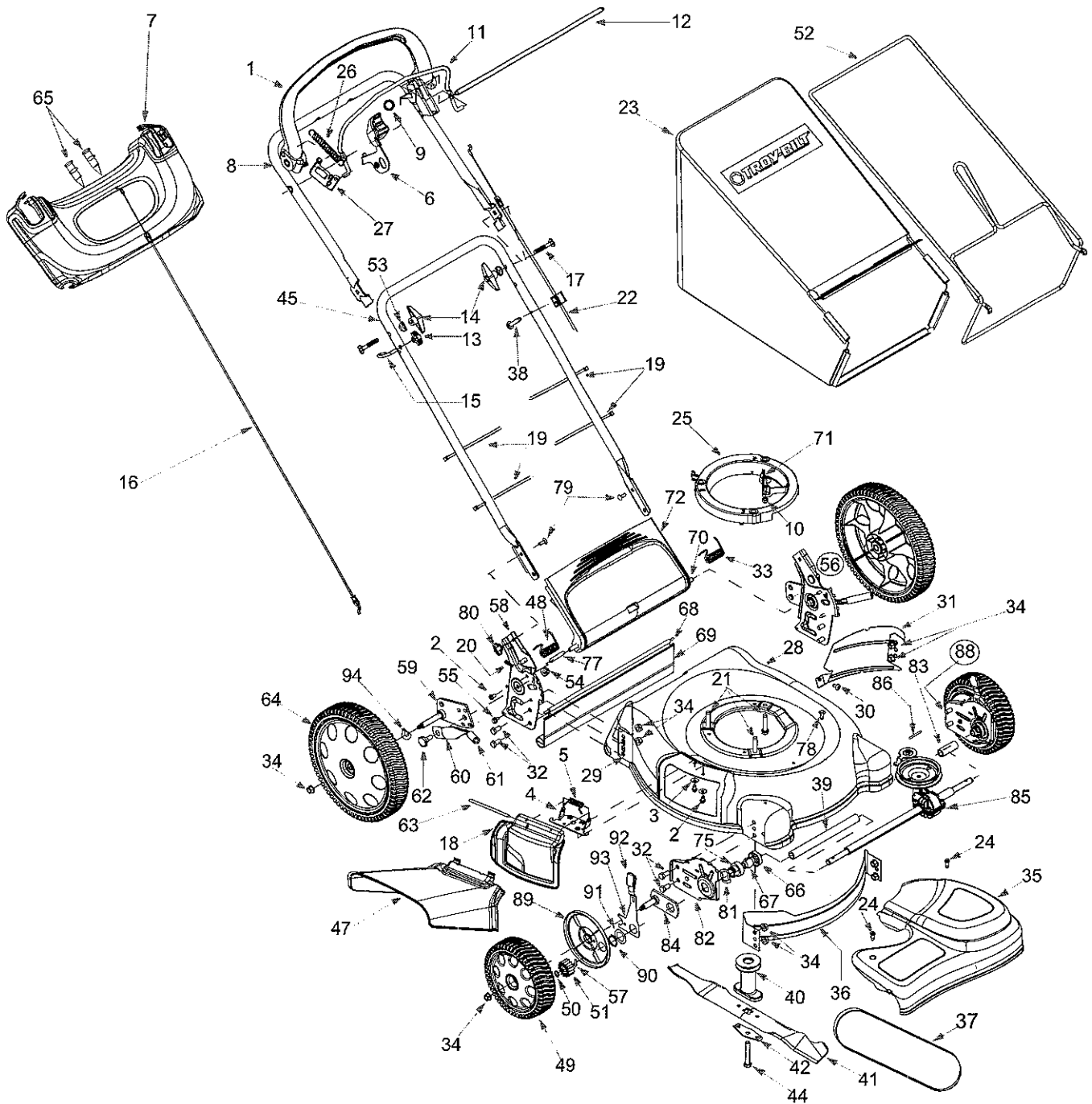


Model F569



IMPORTANT: For a proper working machine, use Factory Approved Parts. **V-BELTS** are specially designed to engage and disengage safely. A substitute (non OEM) V-Belt can be dangerous by not disengaging completely

NOTE: For painted parts, please refer to the list of color codes below. Please add the applicable color code, wherever needed, to the part number to order a replacement part. For instance, if a part numbered 700-xxxx is painted powder black, the part number to order would be 700-xxxx-0637.

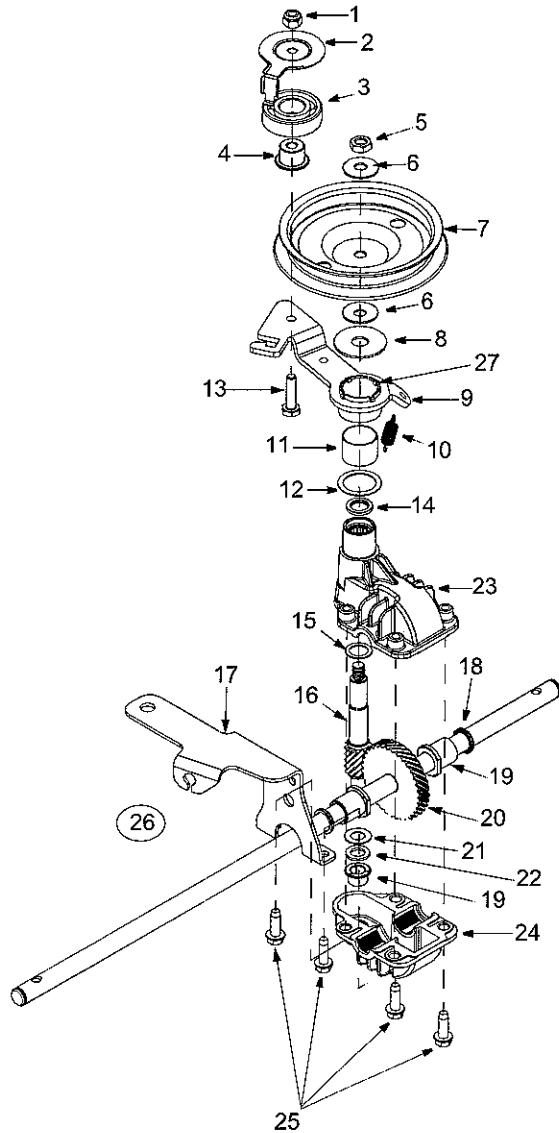
Red: 0638
 Powder Black: 0637

Model F569

Ref. No	Part No.	Description	Ref. No	Part No.	Description
1.	631-04025	Drive Control Bar: Red	50.	716-0865	Snap Ring
2.	710-0599	TT Screw 1/4-20 x 0 5	51.	717-1762	Gear 14T RH FWD
3.	736-0270	Bell Washer 265 x 0 75		717-1761	Gear 14T LH FWD *
4.	17032A	Deflector Chute Adapter	52.	747-04080	Grass Bag Frame
5.	732-1014	Torsion Spring	53.	736-0451	Saddle Washer
6.	647-04005	Self Start Control Assembly	54.	712-3005	Hex Flange Lock Nut 3/8-16
7.	731-04087	Handle Panel	55.	710-1652	Tt Screw 1/4-20 x .625
8.	749-1507	Upper Handle	56.	687-02056	Handle Bracket Assembly - RH*
9.	712-04016	Push Nut		687-02057	Handle Bracket Assembly - LH
10.	712-0271	Hex Nut	57.	715-0221	Dowel Pin
11.	747-2133A	Blade Control Bar	58.	687-02033	Handle Bracket - RH
12.	747-2132A	Control Rod		687-02031	Handle Bracket - LH*
13.	720-0279	Handle Knob	59.	687-02039	Pivot Bar RH
14.	720-0284	Handle Knob		687-02040	Pivot Bar LH*
15.	710-1205	Eye Bolt	60.	732-0866	Height Adjustment Lever
16.	746-04014	Smart Speed™ Control Cable	61.	720-0312	Foam Grip
17.	710-0487	Carriage Bolt 5/16-18 x 2 0	62.	738-0507B	Shoulder Scr 500 Dia x 434
18.	687-02055	Mulch Plug Comp	63.	747-0710	Hinge Pin
19.	726-0240	Cable Tie	64.	734-04019	Wheel, 12 x 2.125
20.	714-0104	Cotter Pin	65.	728-0199	Plastic Rivet
21.	710-1008	Self-Tapping Sems Screw	66.	732-0708	Bearing Retainer
22.	746-04013	Smart Speed™/SS Fwd Drive Cable	67.	741-0604A	Bearing Sleeve
23.	664-04011	Grassbag Assembly	68.	732-0700	Wire
24.	710-1650	Shoulder Screw # 12 -24	69.	731-1236	Rear Trailing Shield
25.	631-0075B	Engine Spacer	70.	747-0996	Pivot Rod
26.	732-04020	Extension Spring	71.	711-1293	Belt Keeper Pin
27.	787-01038	Cable Bracket	72.	731-04134	Rear Discharge Door
28.	787-01006	21" Deck	75.	748-0355	Bearing Support
29.	782-5004A	RH Rear Baffle	77.	750-04162	Spacer 375 x .50 x 1 02
30.	710-1017	Screw AB: 1/4-14: .625	78.	738-1002	Shoulder Screw 1/4-14
31.	782-5003	LH Rear Baffle	79.	710-0703	Carriage Bolt 1/4-20
32.	710-0216	Hex Screw 3/8-16 x 75	80.	712-0397	Wing Nut
33.	732-04089	Torsion Spring LH	81.	736-0447	Wave Washer
34.	712-0431	Hex Nut 3/8-16	82.	782-0512B	Height Adjuster Plate - RH
35.	731-04584	Transmission Cover		782-0511A	Height Adjuster Plate - LH*
36.	782-5002A	Front Baffle	83.	750-1166	Slev. Spacer 2 1" Lg
37.	754-0465	V-Belt	84.	687-02044	Pivot Plate Assembly
38.	710-0809	TT-Scr 1/4-20 x 1 25	85.	618-04006	Transmission Assembly
39.	750-1165	Sleeve Spacer 10.1" Lg	88.	682-0512A	Height Adjustment Assembly RH*
40.	748-04015A	Blade Adapter w/ Pulley		682-0511A	Height Adjustment Assembly LH
41.	742-0741	21" Mulching Blade	89.	782-7551	Wheel Dust Cap
42.	736-0524A	Blade Bell Support	90.	716-0102	Snap Ring
44.	710-1257	Hex Screw 3/8-24 x 2 50	91.	736-0474	Washer
45.	749-0928A	Lower Handle	92.	720-0426	Adjustment Knob
47.	731-04177	Chute Deflector	93.	732-0706	Front Lever RH
48.	732-04090	Torsion Spring RH		732-0707	Front Lever LH*
49.	734-04018A	Wheel 8 x 2.125	94.	736-0182	Spring Washer

* Not shown in illustration

SECTION 10: PARTS LIST FOR MODEL F569



Ref No.	Part No.	Description
1.	712-0896	Lock Nut
2.	782-7598	Belt Keeper
3.	741-0124	Ball Bearing
4.	750-1050	Flange Bearing
5.	712-3025	Hex Jam Nut 5/16-24
6.	736-0425	Bell Washer 325 x 930 x 45
7.	656-0047	Pulley, 3.82 x .313 x .68
8.	736-0406	Flat Washer 422 x 1.38 x 060
9.	682-0029	Front Idler Assembly
10.	732-04001	Extension Spring
11.	741-0682A	Bearing Sleeve
12.	736-0570	FI-Wash. 865 x 1.145 x 030
13.	710-0299	Hex Screw 1/4-28 x 1.0
14.	741-0699	Needle Bearing 438 x 625 x 500
15.	736-0520	Flat Washer 504 x 700 x .030
16.	717-1492	Pinion Shaft
17.	682-0030	Idler Cable Bracket Assembly
18.	721-0329	Oil Seal
19.	741-0673	Flange Bearing
20.	611-0105A	Output Shaft
21.	736-0314	Thrust Washer 375 x 070 x 030
22.	736-0569	Thrust Washer 388 x 625 x .062
23.	618-0300A	Upper Housing
24.	618-0299A	Lower Housing
25.	710-1276	Hex Screw w/Washer 1/4-20 x .750
26.	618-04006	Transmission Assembly Comp
27.	721-0457	Oil Seal