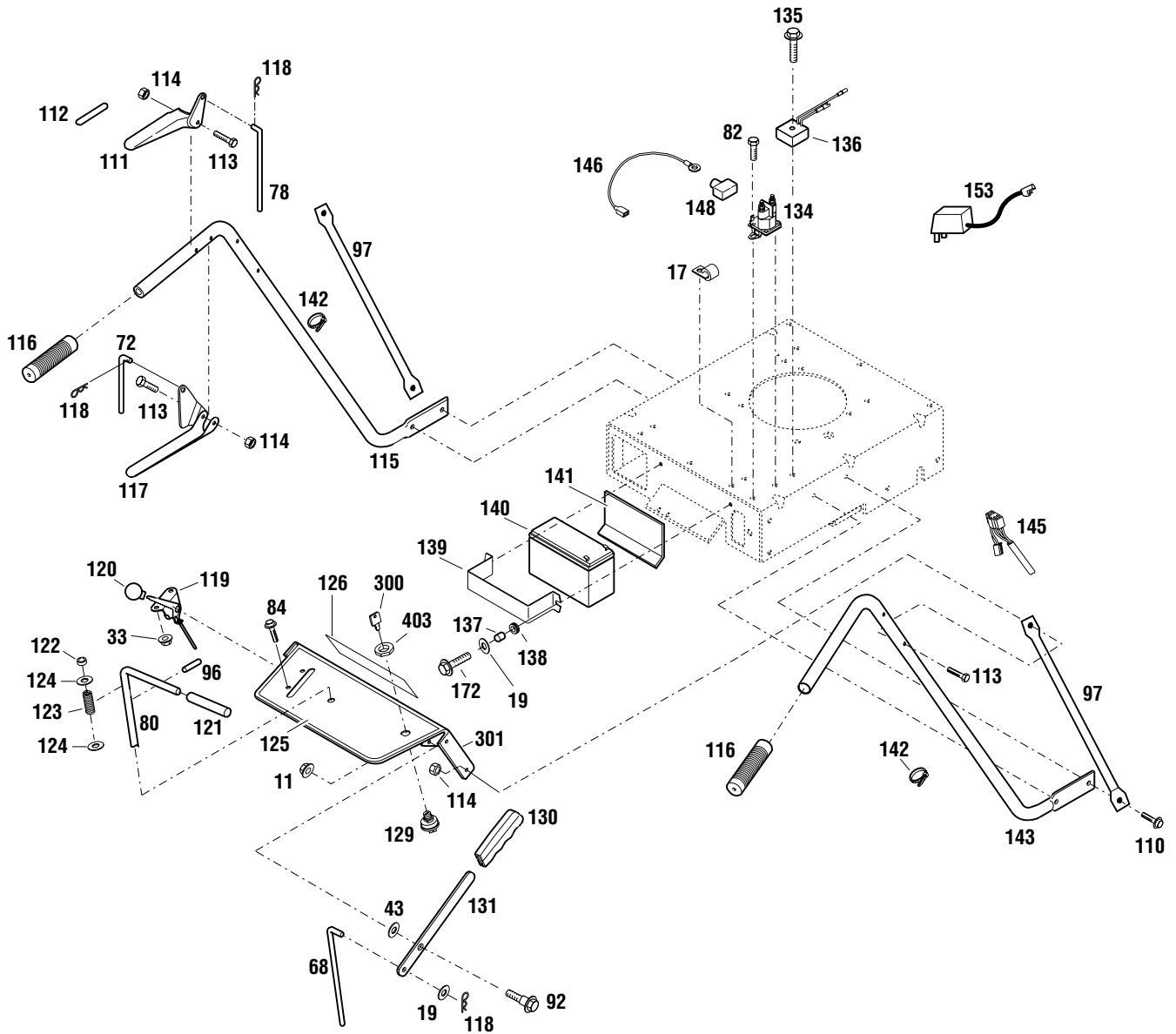




753B, E753

HANDLEBAR AND CONSOLE ASSEMBLY



HANDLEBAR AND CONSOLE ASSEMBLY

Ref.	Part	Description	Qty.	Ref.	Part	Description	Qty.
11	1186393	Flange Locknut, 3/8-16.....	1	123	1721492	Compression Spring.....	1
17	1721252	J-Clip.....	1	124	1107385	Flat Washer, 1/2.....	1
19	1107382	Flat Washer, 5/16.....	4	125	777S32064	Warning Decal (A).....	1
33	1186389	Flange Locknut, 1/4-20.....	2		1768457	Warning Decal (B).....	1
43	1702646	Flat Washer, 1/2.....	1	126	777D06080	Logo Decal (A) (B).....	1
68	1769888	Upper Blade Rod.....	1	129	1734196	Ignition Switch (B).....	1
72	1773607	Upper Transmission Rod.....	1	130	720-0313	Handle Grip.....	1
78	1769872	Upper Brake Rod.....	1	131	1768223	Mower Engage Lever.....	1
80	1769874	Shift Rod.....	1	134	1752137	Solenoid (B).....	1
82	1724492	Thread Cut. Screw, 1/4-20 x 1/2 (B).....	2	135	1747027	Thread-Cut. Screw, 1/4-20 x 1-1/2 (B)....	1
84	1186308	Flange Lock Screw, 1/4-20 x 1/2.....	2	136	1768464	Regulator.....	1
92	1703051	Shoulder Bolt.....	1	137	1749778	Spacer (B).....	2
96	1185279	Roll Pin, 1/4 x 2-1/4.....	1	138	1769080	Grommet (B).....	2
97	1915545	Brace, Handlebar (A) (B).....	2	139	1915696	Battery Bracket (B).....	1
110	1186329	Flange Lock Screw, 5/16 x 3/4.....	4	140	1915750	Battery (B).....	1
111	1770445	Control Handle.....	1	141	1769081	Battery Pad (B).....	1
112	777I00001	Operator Presence Control Decal.....	1	142	725-0157	Plastic Tie.....	5
113	1915793	Screw, 1/4-20 x 1-3/4, Grade 8.....	6	143	1764923	Right Handlebar (A) (B).....	1
114	712-3055	Locknut, 1/4-20.....	2	145	1915758	Wiring Harness (B).....	1
115	1764922	Left Handlebar (A) (B).....	1	146	1915759	Lead (B).....	1
116	1703539	Handle Grip.....	2	148	1734364	Boot (B).....	1
117	1773605	Control Handle.....	1	153	1768449	Battery Charger (shipped loose) (B).....	1
118	1717897	Hair Pin, 5/64.....	3	172	1724491	Screw, 5/16-18 x 3/4".....	1
119	1768191	Throttle Control.....	1	300	1753986	Ignition Key (B).....	1
120	1737118	Knob.....	1	301	1768640	Console Assembly (A).....	1
121	1737041	Handle Grip.....	1		1768493	Console Assembly (B).....	1
122	1715716	Nylon Bushing.....	1	403	1770592	Nut, Ignition Switch.....	1

- (A) Model 753B
- (B) Model E753B

DRIVE ASSEMBLY

Ref.	Part	Description	Qty.	Ref.	Part	Description	Qty.
1	*	Engine, Electric Start	1	57	1732499	Top Locknut, 5/16-18.....	4
	*	Engine, Recoil Start	1	58	1770247	Lower Blade Rod	1
2	1769904	Engine Pulley	1	60	1770326	Transaxle Pulley	1
3	736-0171	Lock Washer, 7/16	1	61	1118808	Retaining Ring.....	1
4	1740949	Bolt, 7/16-20 x 1-3/4	1	62	736-0463	Flat Washer, 1/4	3
5	1773599	Washer, Nylon.....	1	63	1100002	Screw, 1/4-28 x 3/4.....	1
7	777S00006	Warning Decal	1	64	712-3004A	Flange Locknut, 5/16-18.....	1
8	1766326	Oil Valve Cap	1	65	712-0375	Locknut, 3/8-16.....	2
9	1768865	Oil Valve (Incl. Ref. 8)	1	66	736-0329	Lock Washer, 1/4	1
10	1769006	Oil Drain Hose	1	67	712-3005	Screw, 3/8 x 1-1/4.....	1
11	1186393	Flange Locknut, 3/8-16.....	5	68	1769888	Upper Blade Rod	1
12	1727379	Pop Rivet, 3/16	4	69	1768140	Transmission Arm.....	1
13	1769870	Flap	1	70	1767837	Ball Joint	1
14	1769869	Flap Bracket.....	1	71	1768628	Shift Link Rod	1
15	1769885	Lower Transmission Rod	1	72	1769873	Upper Transmission Rod.....	1
16	1185147	Cotter Pin, 3/32 x 5/8	8	75	1768624	Spring Attachment Rod	1
18	1890234	Flat Washer, 1/2	1	76	1768636	Extension Spring	1
19	1107382	Flat Washer, 5/16	5	78	1769872	Upper Brake Rod.....	1
20	1711864	Compression Spring.....	1	79	1111609	Screw, 5/16-18 x 2-3/4	2
21	1763219	Shoulder Bolt	1	80	1769874	Shift Rod.....	1
23	1715538	Nyliner, 1/2.....	2	81	1769875	Clutch Arm Pivot	1
25	1748393	Carriage Bolt, 3/8-16 x 1-3/4.....	1	83	1768630	Shift Rod Bracket	1
26	1918370	Idler Arm	1	84	1186308	Flange Lock Screw, 1/4-20 x 1/2	2
27	1756151	Idler Pulley	2	85	1769852	Backplate (A) (B).....	1
28	736-3050	Flat Washer, 3/8	3	87	1770334	V-Belt	1
29	1715685	Plastic Grip.....	1	90	1768194	Thread Forming Screw, 3/8-16 x 1-1/2..	1
30	712-3000	Top Locknut, 3/8-16.....	1	91	1762042	Thread Forming Screw, 3/8-16 x 1	3
31	1915831	Lift Crank Assembly	1	102	1186229	Hex Nut, 1/4-20.....	1
32	710-0347	Bolt, 3/8-16 x 1-3/4.....	1	118	1717897	Hair Pin, 5/64	3
33	1186389	Flange Locknut, 1/4-20.....	4	159	1916897	Pivot.....	1
36	736-0169	Lock Washer, 3/8	1	167	1769882	Pivot Shaft Assembly	1
39	1186347	Flange Lock Screw, 3/8-16 x 1	4	168	1769878	Brake Arm	1
41	1769881	Interlock Cam.....	1	169	1100350	Cotter Pin	3
42	1769877	Lower Brake Rod.....	1	170	1187961	Drive Pin, 5/32 x 1.....	1
43	1702646	Washer, Flat 1/2	3	171	1730851	Clevis Pin, 1/2 x 1-1/4	1
44	1770361	Interlock Latch	1	172	710-0604A	Screw, 5/16-18 x 3/4.....	2
48	1725264	Swivel Block.....	2	177	1740496	Flange Screw, 5/16-18 x 3/4.....	2
49	712-3007	Jam Nut, 5/16-18	2	302	687-02014	Frame Weldment Assembly	1
50	1185388	Retaining Ring.....	2	303	1768180	Wheel Rim.....	2
51	1708012	Flat Washer	4	304	1774129	Tire.....	2
53	1701447	Special Washer	A/R	305	1718086	Valve Stem	2
54	1769781	Square Key, 3/16 x 2-1/2.....	2	400	GW-97092	Loctite 242, 0.02 oz. Tube.....	N/I
55	*	Transmission Assembly, Model 915-027 (See page 36 for breakdown.)	1	402	GW-9532	Clip Ring	1
56	1104436	Woodruff Key, 3/16 x 3/4	1	403	GW-20546	Washer	2

* Order parts from your local authorized engine dealer. Refer to engine for model/type number.

• Order parts from your local Peerless - Tecumseh dealer.

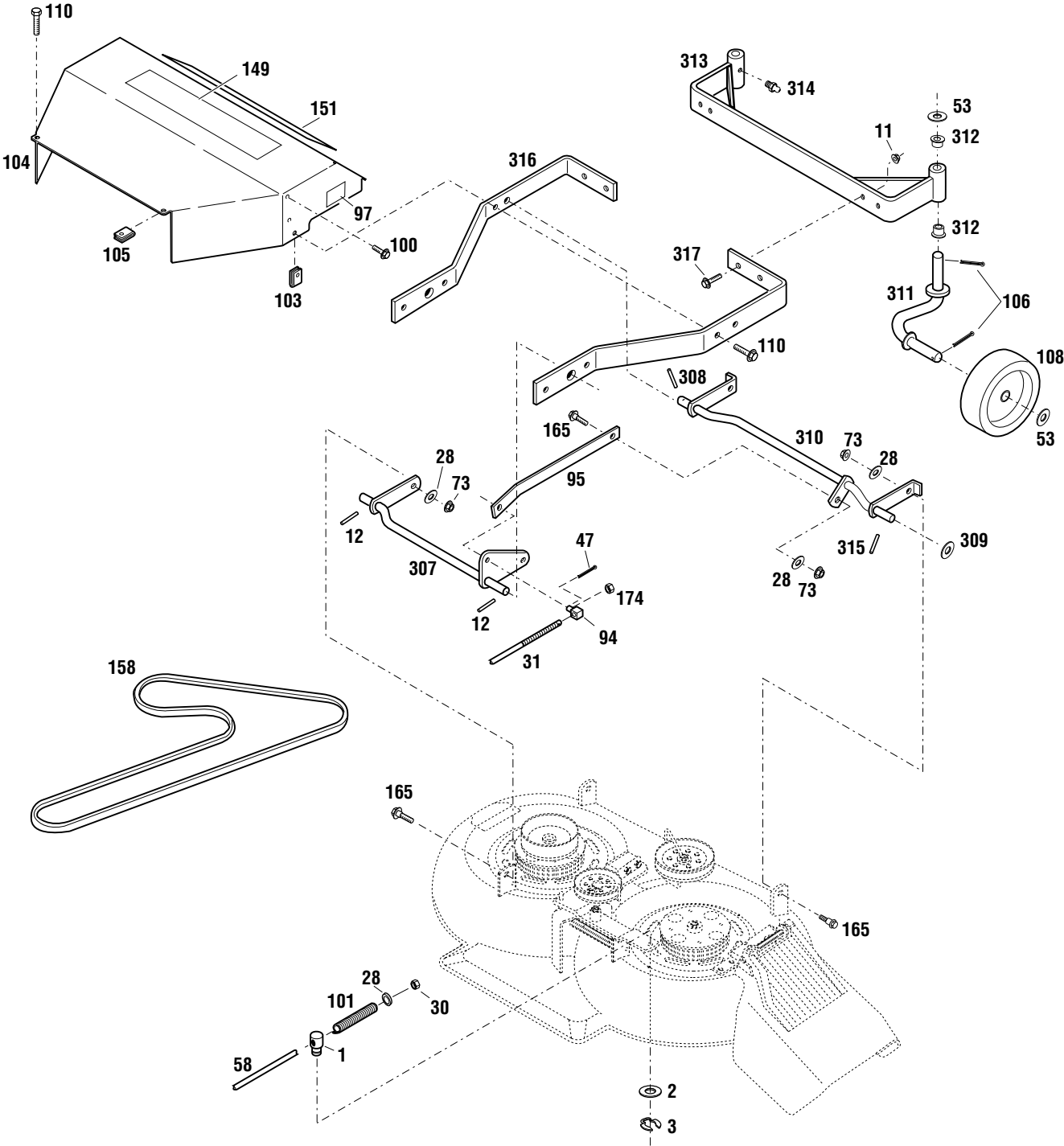
A/R As required.

N/I Item not included with unit; order separately.

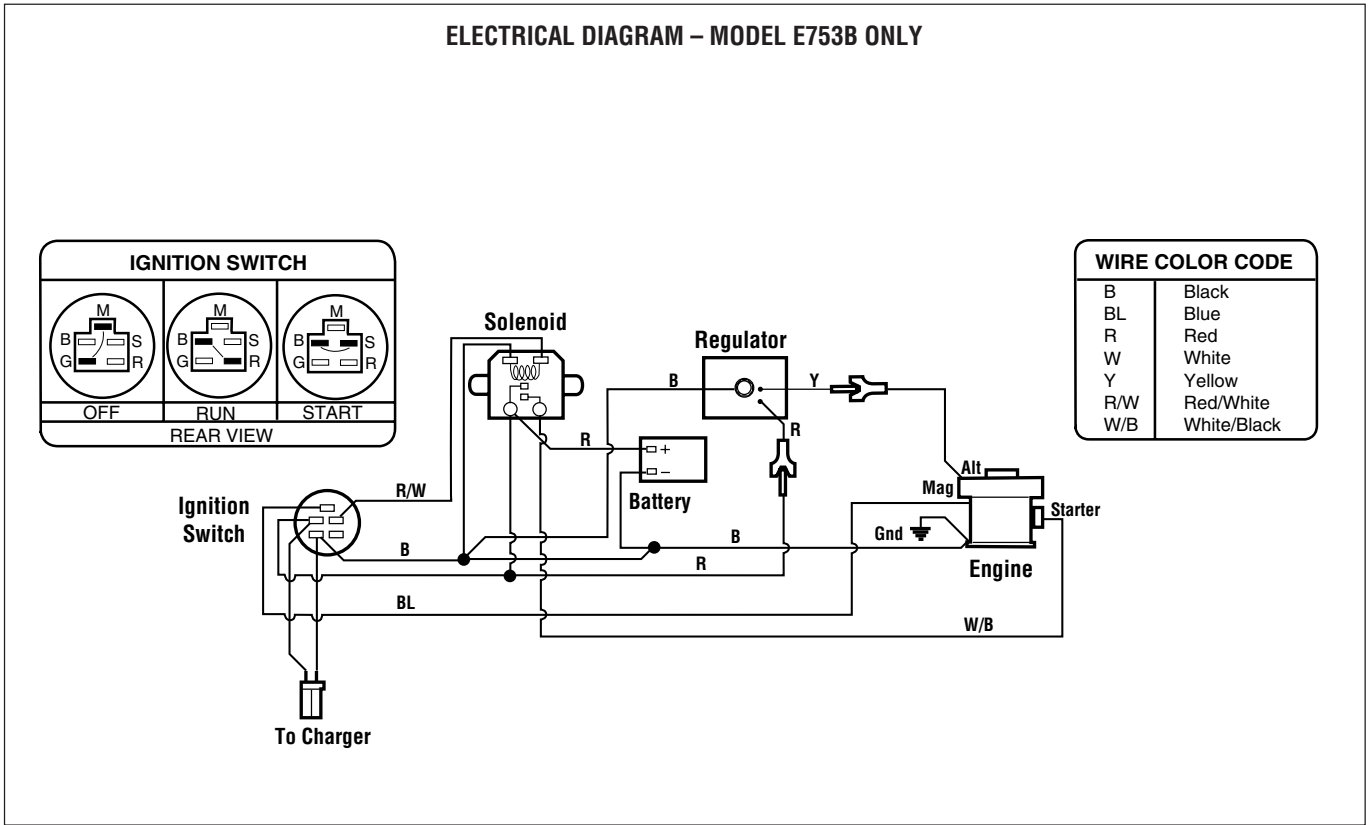
(A) Model 753B

(B) Model E753B

Wide-Cut Combination Mower



FRONT FRAME ASSEMBLY

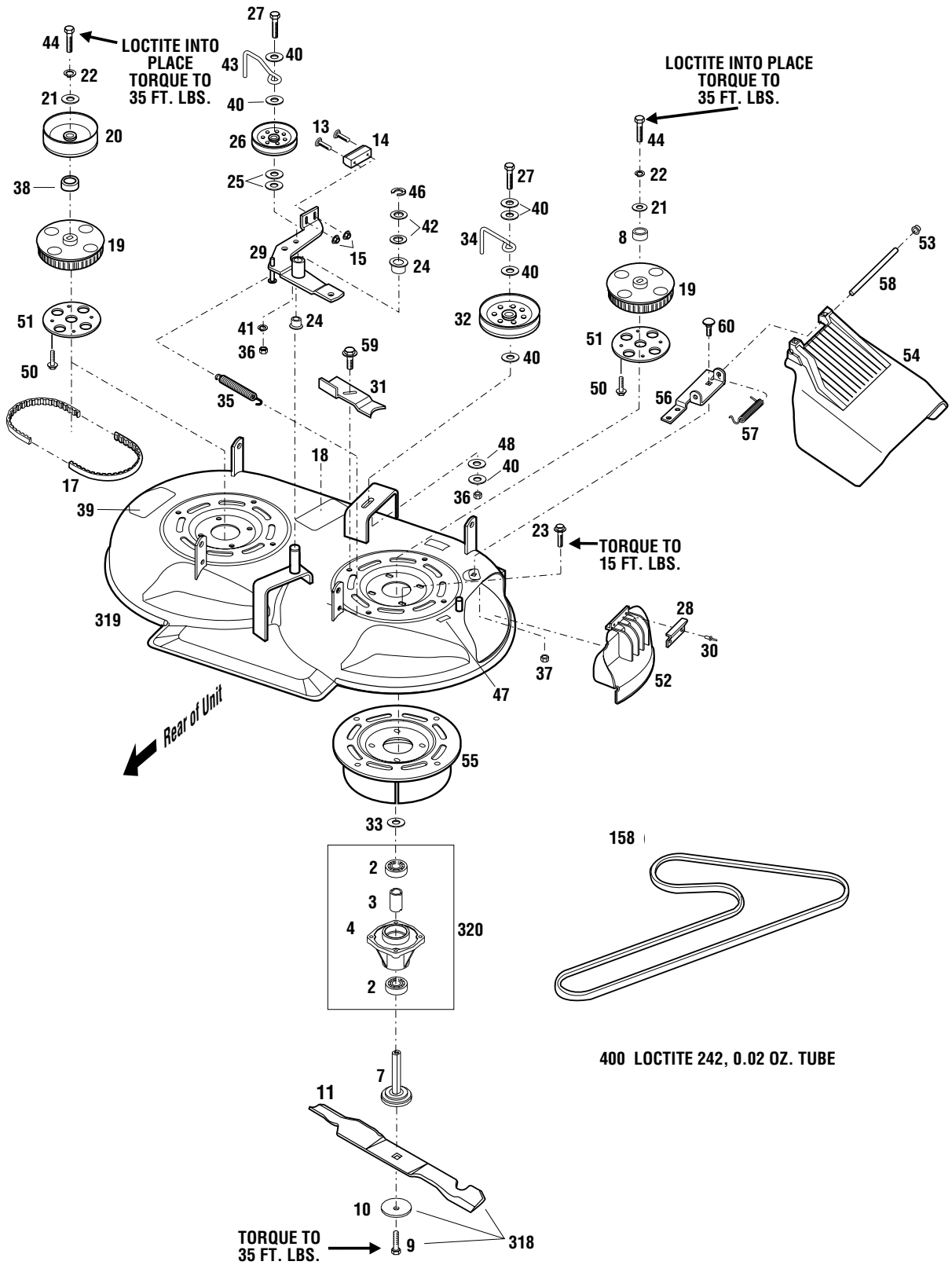


FRONT FRAME ASSEMBLY

Ref.	Part	Description	Qty.	Ref.	Part	Description	Qty.
1	1916897	Pivot.....	1	106	1100352	Cotter Pin	4
2	GW-20546	Washer.....	1	108	1743891	Gage Wheel	2
3	GW-9532	Clip Ring	1	110	1186329	Flange Lock Screw, 5/16 x 3/4	2
11	1186393	Flange Locknut, 3/8-16.....	9	149	777D06078	Logo Decal	1
16	1185147	Cotter Pin, 3/32 x 5/8	2	151	777D06077	33" Combination Deck Decal	1
28	736-3050	Flat Washer, 3/8	6	158	1769767	V-Belt	1
30	712-3000	Locknut, 3/8-16.....	1	165	1754125	Shoulder Bolt	5
31	1769895	Lift Crank.....	1	174	1770355	Toplock Nut.....	1
47	714-0474	Cotter Pin	1	307	1769903	Rear Lift Assembly	1
53	1701447	Special Washer.....	4	308	1185469	Roll Pin, 1/4 x 1.....	2
58	1770247	Lower Blade Rod.....	1	309	736-0156	Flat Washer, 5/8	1
73	712-0266	Flange Locknut, 3/8-16.....	5	310	1770248	Front Lift Assembly	1
94	1768231	Pivot Block	1	311	1768477	Spindle Assembly.....	2
95	1769521	Leveler Bar	1	312	1764140	Flange Bearing.....	4
97	777I00006	Cutting Height Decal.....	1	313	1769743	Gage Support	1
100	1769344	Tap Screw, #8 x 3/8	8	314	1185976	Grease Fitting.....	2
101	1769007	Compression Spring.....	1	315	1185759	Drive Pin, 1/4 x 3.....	2
103	726-04008	Speed Nut, 5/16-18	2	316	1769899	Mower Support	2
104	1764996	Belt Guard	1	317	1186347	Whizlock Screw, 3/8-16 x 1.....	4
105	726-04006	Speed Nut, 5/16-18	2				

- (A) Model 753B
- (B) Model E753B

Wide-Cut Combination Mower



MOWER DECK ASSEMBLY

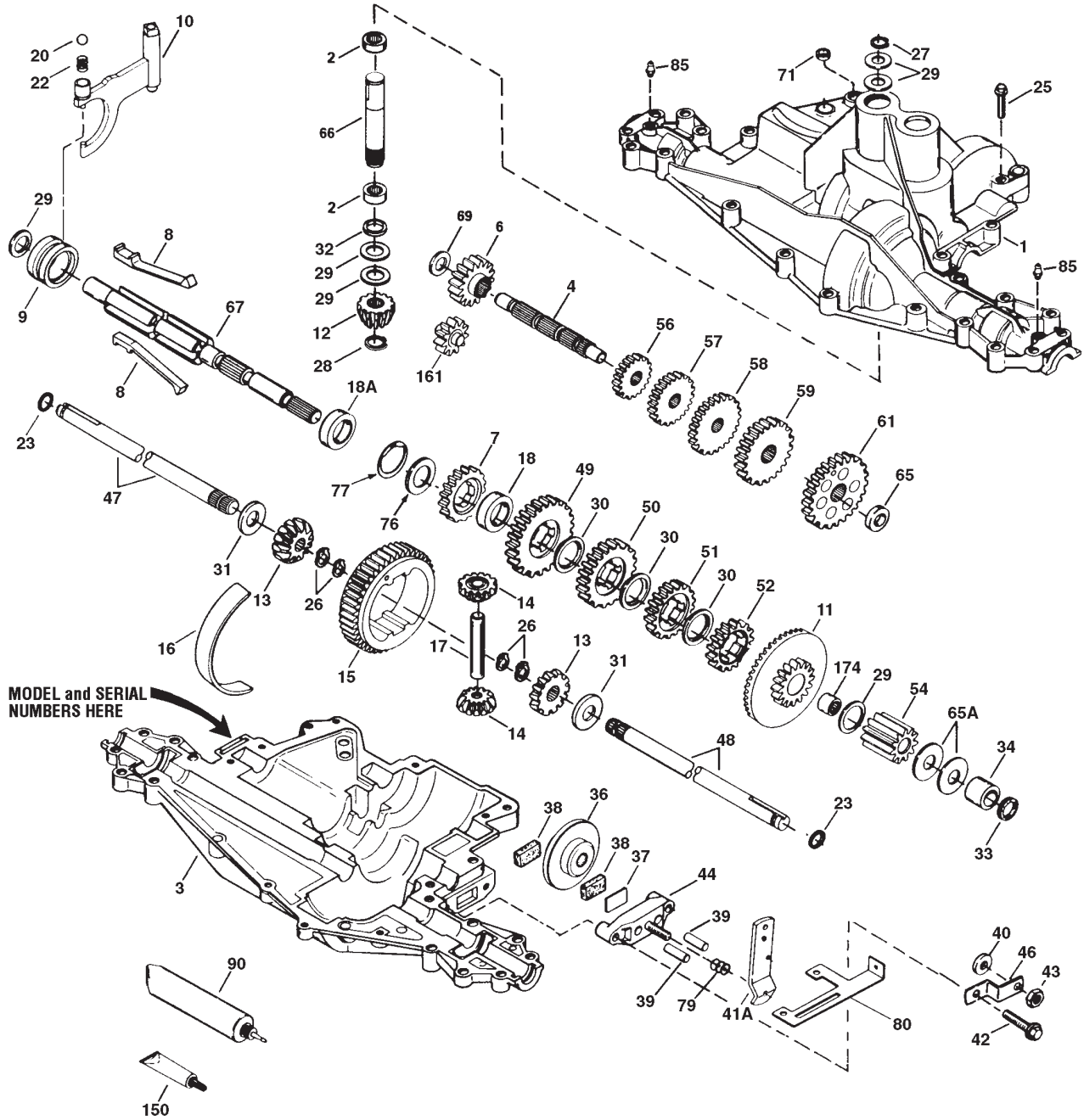
MOWER DECK ASSEMBLY

Ref.	Part	Description	Qty.	Ref.	Part	Description	Qty.
2	1185574	Ball Bearing	4	37	1732499	Locknut, 5/16-18.....	1
3	1746869	Spacer	2	38	1723996	Pulley Spacer	1
4	1765092	Mower Spindle	2	39	777S30118	Danger Decal.....	1
7	711-04020	Spindle Shaft	1	40	1768818	Flat Washer, 3/8 x 3/4	7
8	1918848	Spacer (For right-hand spindle ass'y)	1	41	736-0169	Lock Washer, 3/8	1
9	1765196	Screw, 7/16-14 x 1.....	2	42	1701447	Flat Washer	2
10	1765197	Belleville Washer	2	43	1764135	Belt Guide.....	1
11	1910917	Blade, 33" Mulching.....	2	44	1769397	Screw, 7/16-14 x 1-1/4	2
13	1771081	Flat Head Screw, #10-24 x 1-1/4	2	46	716-0101	Retaining Ring.....	1
14	1771083	Brake Pad	1	47	777S00008	Warning Decal.....	1
15	712-0271	Sems Nut, #10-24	2	48	1185715	Pyramid Washer, 3/8.....	1
17	1773600	Toothed Drive Belt	1	50	1771925	Triplask Screw, 1/4-20 x 5/8	8
18	777S00004	Caution Decal	1	51	1771922	Sprocket Plate	2
19	1774220	Cogged Pulley, 56T	2	52	631-04011	Mulcher Cover, Fold-Up Style (Incl. Ref. 28 and 30)	1
20	1769362	Drive Pulley	1	53	1727342	Cap.....	2
21	1736484	Flat Washer, 7/16	2	54	1910931	Discharge Chute.....	1
22	736-0171	Lock Washer, 7/16	2	55	687-02004	Weldment Doublor	2
23	1773523	Flange Lock Screw, 5/16-18 x 1	8	56	1910951	Bracket, Chute Hinge.....	1
24	1764140	Flange Bushing.....	2	57	1910971	Spring, Discharge Chute.....	1
25	1701055	Flat Washer	2	58	1910972	Pin, Discharge Chute.....	1
26	1762794	Idler Pulley	1	59	710-0650	Screw, Thread-Forming.....	8
27	1100062	Hex Head Capscrew, 3/8-16 x 2-1/2.....	2	60	GW-90077	Bolt, Carriage, 3/8-18 x 3/4	1
28	1911054	Adapter Trim	1	158	1769767	V-Belt	1
29	1918371	Idler Arm	1	318	1773595	Mulching Blade Kit (Incl. Refs. 9, 10 and 11).....	1
30	1186059	Pop Rivet	2	319	1773587	Mower Deck Assembly (A) (B)	1
31	1911021	Belt Tension Adjustment Bracket	1	320	1769048	Mower Spindle Assembly (Incl. Refs. 2, 3 & 4).....	2
32	1749911	Idler Pulley	1	400	GW-97092	Loctite 242, 0.02 oz. Tube.....	N/I
33	1766787	Special Thrust Washer	2	401	1735222	Black Spray Paint Can, 13 oz.	N/I
34	1720717	Belt Guide.....	1				
35	1756595	Extension Spring	1				
36	712-3017	Nut, 3/8-16.....	2				

N/I Item not included with unit; order separately.

- (A) Model 753B
- (B) Model E753B

Peerless Transaxle

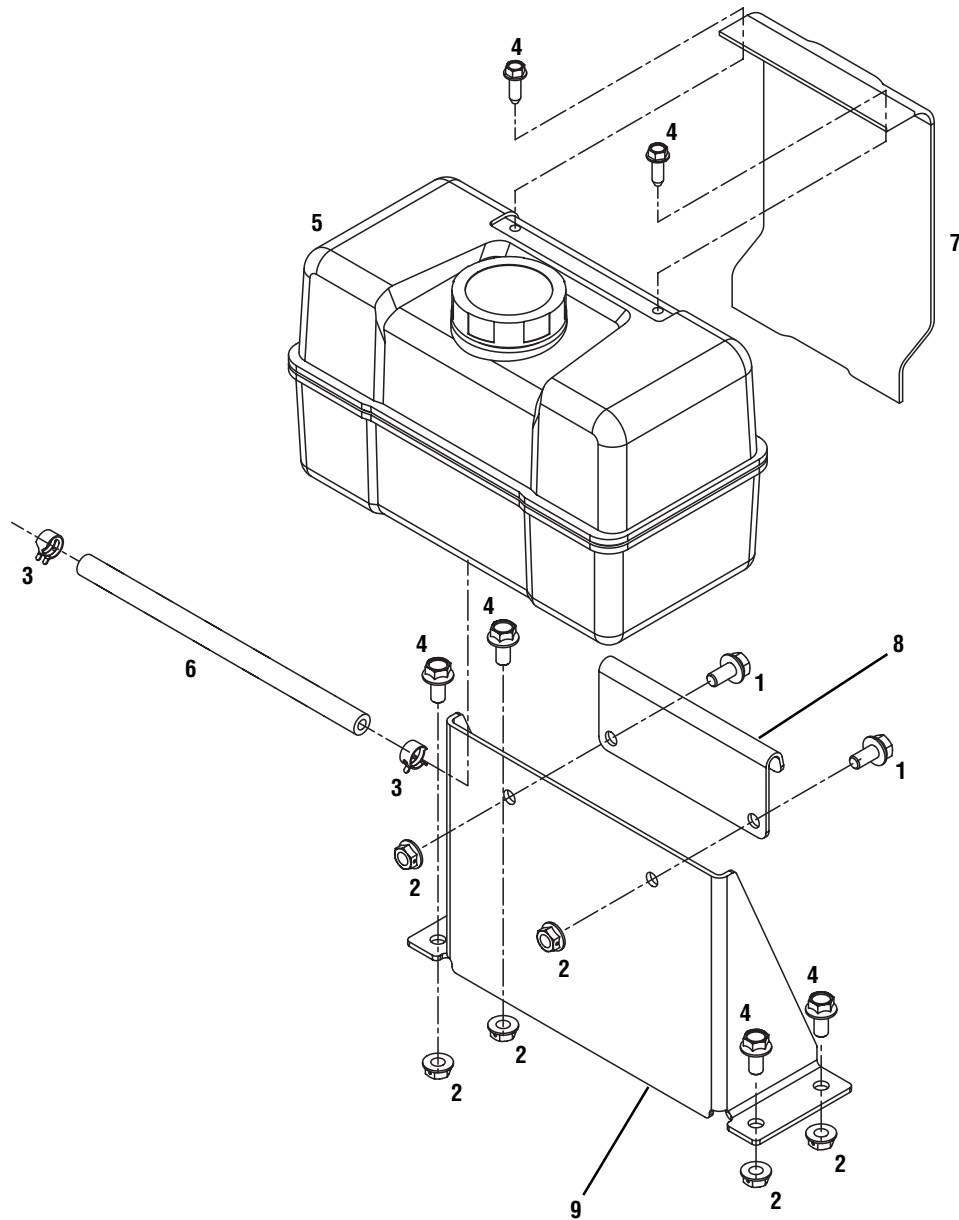


TRANSAXLE ASSEMBLY

Ref.	Part	Description	Qty.	Ref.	Part	Description	Qty.
1	TC-772113	Transaxle Cover	1	39	TC-786026	Dowel Pin	2
1	TC-772135	Transaxle Cover	1	40	TC-792076A	Washer	1
2	TC-780086A	Needle Bearing	2	41	TC-790045	Brake Lever	1
3	TC-770110	Transaxle Case	1	42	TC-792073	Screw, 1/4-20 x 1-1/4"	2
4	TC-776300	Countershaft	1	43	TC-792075	Locknut, 5/16-24	1
6	TC-778281	Spur Gear (16 teeth)	1	44	TC-790025	Brake Pad Holder	1
7	TC-778122A	Spur Gear (22 teeth)	1	46	TC-786086	Brake Lever Bracket	1
8	TC-792160	Shift Key	4	47	TC-774747	Axle (16-1/4" long)	1
9	TC-784373	Shift Collar	1	48	TC-774888	Axle (11" long)	1
10	TC-784365	Shift Rod & Fork	1	49	TC-778124A	Spur Gear (30 teeth)	1
11	TC-778261	Bevel Gear & Bearing (Incl. 174)	1	50	TC-778123A	Spur Gear (25 teeth)	1
12	TC-778262	Bevel Pinion (14 teeth)	1	51	TC-778122A	Spur Gear (22 teeth)	1
13	TC-778221	Bevel Gear (16 teeth)	2	52	TC-778273	Spur Gear (19 teeth)	1
14	TC-778068	Differential Pinion	2	54	TC-778263	Spur Gear (11 teeth)	1
15	TC-778260	Ring Gear	1	56	TC-778126A	Spur Gear (20 teeth)	1
16	TC-786150	Bearing Strip	1	57	TC-778127A	Spur Gear (25 teeth)	1
17	TC-786139	Drive Pin	1	58	TC-778128A	Spur Gear (28 teeth)	1
18	TC-786147	Neutral Spacer	1	59	TC-778129A	Spur Gear (30 teeth)	1
18A	TC-786159	Neutral Spacer	1	61	TC-778265	Spur Gear (34 teeth)	1
20	TC-792077	Ball, 5/16" dia.	1	65	TC-780162	Washer	1
22	TC-792079	Spring	1	65A	TC-780160	Washer	2
23	TC-788061	Seal Ring	2	66	TC-776299	Input Shaft	1
25	TC-792073	Screw, 1/4-20 x 1-1/4"	17	67	TC-776352	Shifter & Brake Shaft	1
26	TC-792125	Retaining Ring	4	69	TC-780161	Washer	1
27	TC-792035	Retaining Ring	1	71	TC-788069	Square Cut Ring	1
28	TC-788040	Retaining Ring	1	76	TC-780090	Washer	1
29	TC-780072	Washer	6	77	TC-788078A	Inverted Retaining Ring (pkg. of 2) .	1
30	TC-780108	Washer	3	79	TC-792144	Spring	1
31	TC-780001	Washer	2	80	TC-790063A	Brake Bracket	1
32	TC-792001	"O" Ring	1	85	TC-792137	Lubrication Fitting	2
33	TC-788076	"O" Ring	1	90	TC-788067B	Grease	
34	TC-780159	Bushing	1			(32 oz. bottle Bentonite grease)	1
36	TC-790071	Brake Disk	1	150	510334	Gasket Eliminator (Loctite #515)	1
37	TC-790007	Brake Pad Plate	1	161	776302	Reverse Idler	1
38	TC-799021	Brake Pad (pkg. of 2)	2	174	780085	Needle Bearing	1

ORDER ALL TRANSAXLE PARTS FROM YOUR LOCAL PEERLESS-TECUMSEH DEALER

Wide-Cut Combination Mower



FUEL TANK ASSEMBLY

Ref.	Part	Description	Qty.
1	710-0759	Hex Flange Screw, 5/16-18 x 5/8.....	6
2	712-3004A	Flange Locknut, 5/16-18.....	6
3	726-0205	Hose Clamp.....	2
4	751B095337	Screw, K80 x 3.59.....	2
5	751B493337	Fuel Tank, 1 gal.(Incl. Fuel Cap).....	1
6	751-0535	Fuel Line, 12".....	1
7	781-0497	Mounting Bracket, Fuel Tank.....	1
8	781-0498	Support Bracket, Fuel Tank.....	1
9	787-01028	Bracket, Fuel Tank.....	1