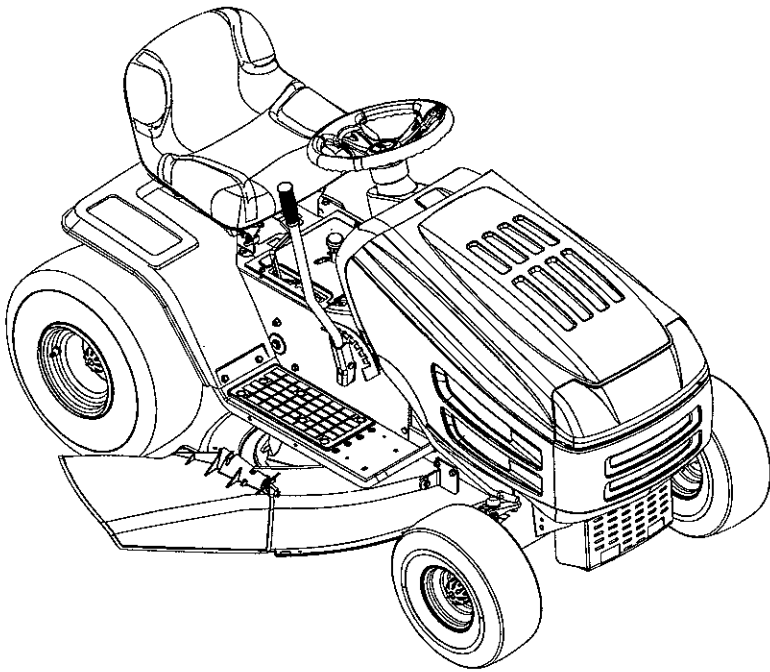


Illustrated Parts Manual



Transmatic Lawn Tractor

MODELS 660, 680

662, 682

663, 683

665, 685

668, 688

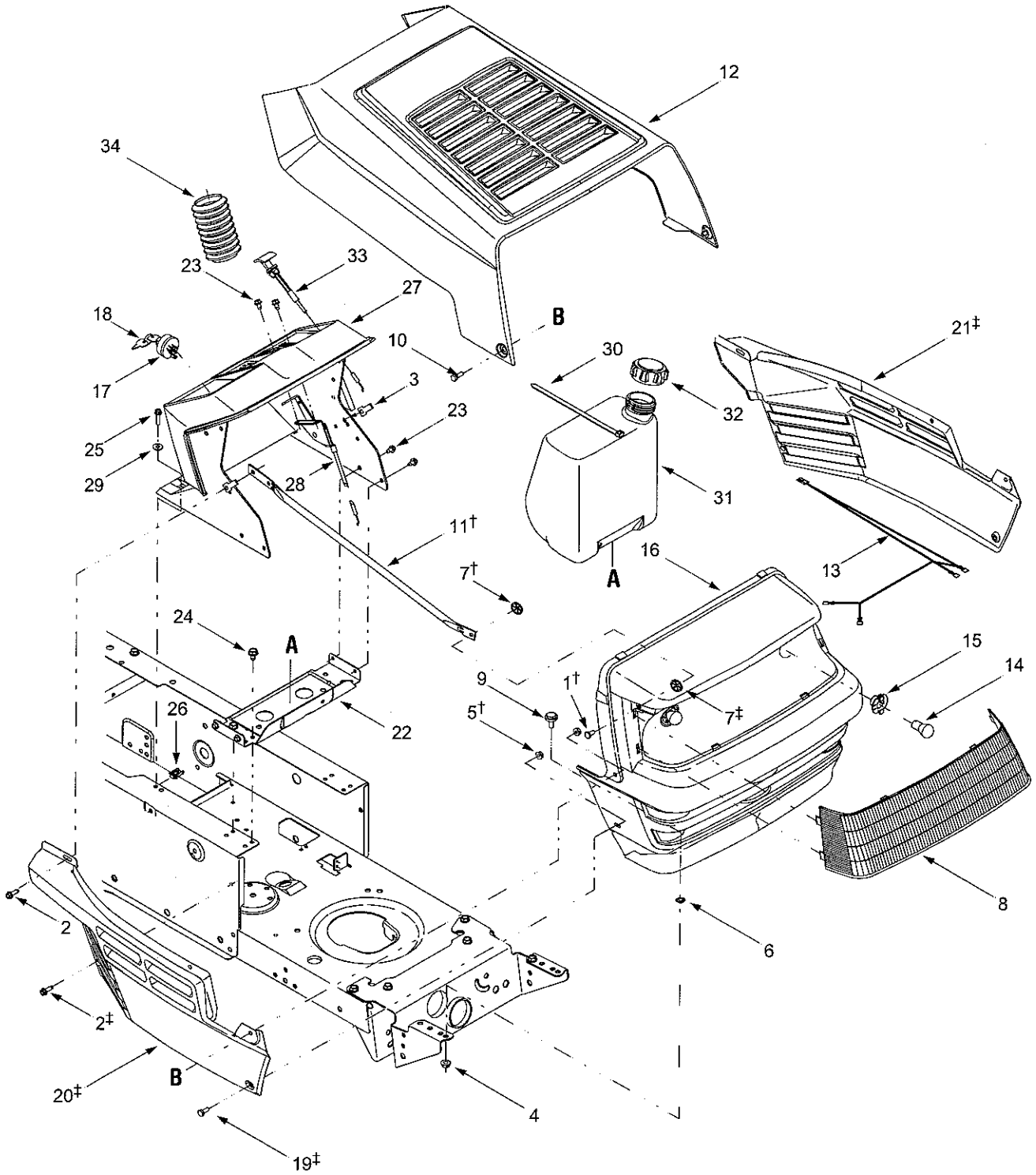
MTD LLC, P.O. BOX 361131 CLEVELAND, OHIO 44136-9722

PRINTED IN U.S.A.

FORM NO. 769-00642B

(10/24/2003)

Models 660, 665, 680 & 685



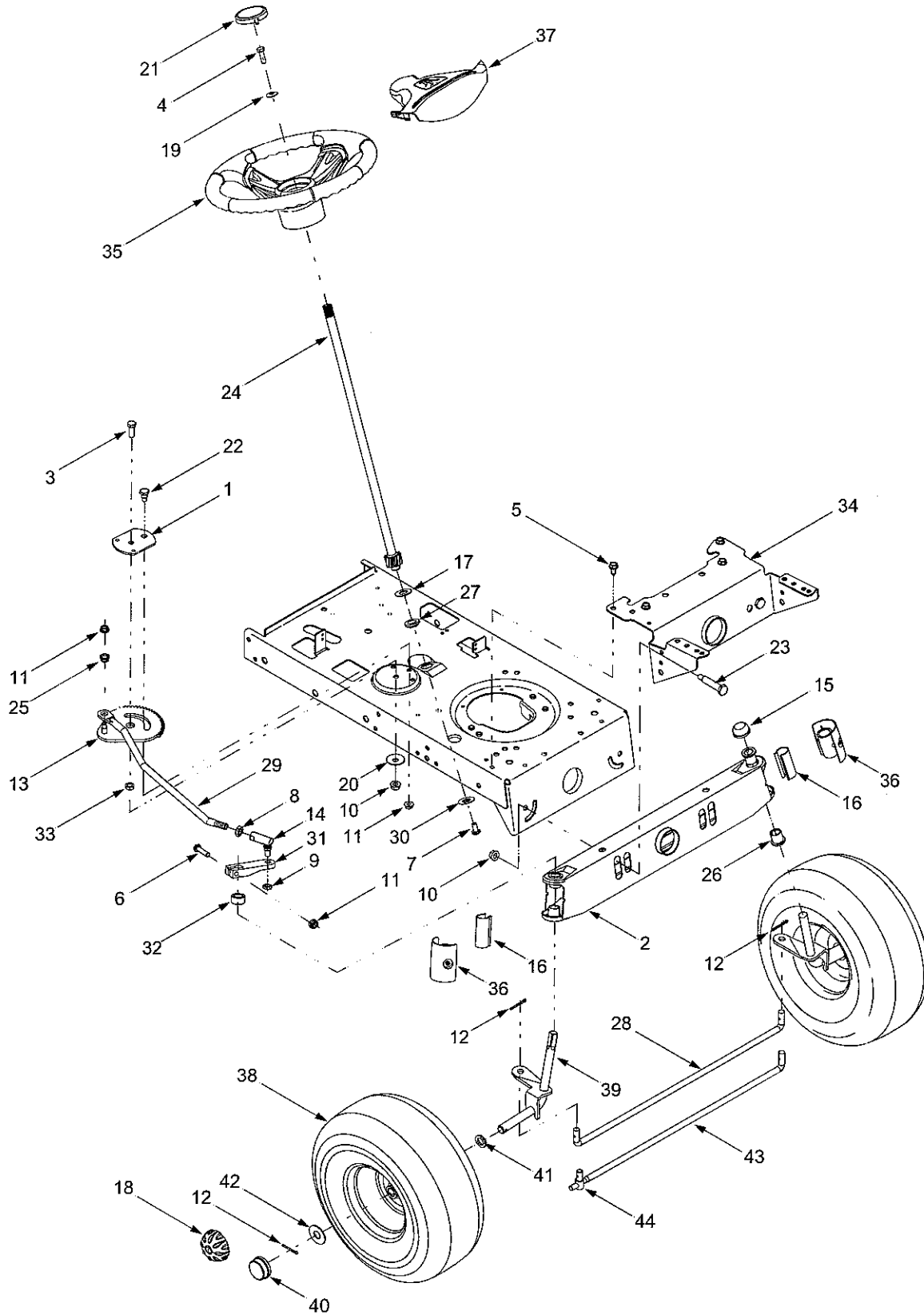
† Found on Models 660 & 680 Only
 ‡ Found on Models 665 & 685 Only

Models 660, 665, 680 & 685

REF. NO.	PART NO.	DESCRIPTION
1	728-0162	Flat-head Rivet, 1/4
2	710-0642	Self-tapping Screw, 1/4-20 x .75
3	712-0185	U-type Speed Nut, 1/4-20
4	712-0429	Lock Nut, 5/16-18
5	712-0324	Lock Nut, 1/4-20
6	726-0201	Speed Nut, 3/125
7	726-04012	Push-on Nut, .25
8	731-1099A	Lens
9	738-04015	Shoulder Screw, 5/16-18 x .625
10	738-0952A	Shoulder Screw, 1/4-20 x 3/75 / .125
11	749-0722C	Grille Support Rod
12	783-0250A	Hood w/ Louvers
13	629-0469B	Headlamp Harness Assembly
14	725-0963	Headlamp, 12V
15	725-1649	Headlamp Socket
16	731-1097F	Grille
17	725-1396	Ignition Switch, 6-pin
18	725-0201	Keys (pair)
19	710-0751	Hex Screw, 1/4-20 x .620
20	783-0150B	RH Side Panel
21	783-0151B	LH Side Panel
22	17632D	Support Bracket
23	710-0599	Self-tapping Screw, 1/4-20 x .5
24	710-0607	Self-tapping Screw, 5/16-18 x .5
25	710-0788	Self-tapping Screw, 1/4-20 x 1.0
26	726-3054	U-type Speed Nut, 1/4-20
27	731-04179	Dash Panel (models w/o choke knob)
	731-04082	Dash Panel (models w/ choke knob)
28	746-04020A	Throttle / Choke Control, 18.5"
	746-04023A	Throttle Control, 35.5"
	746-04030A	Throttle Control, 18.5"
29	736-3090	Flat Washer, 260 x .720 x .060
30	726-0230	Cable Tie, 34.75
31	751-0555B	Fuel Tank, 1.5 gal
32	751-0603	Fuel Tank Cap
33	746-0614A	Choke Control, 38"
	746-0616A	Choke Control, 23"
34	731-0954	Steering Bellow, 4.75"

NOTE: Tractor features vary by model. NOT all parts listed above and pictured on the previous page are standard equipment.

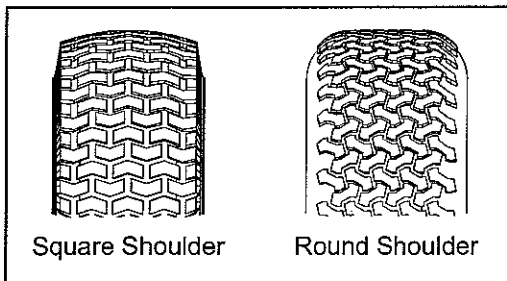
Models 660 - 688



Models 660 – 688

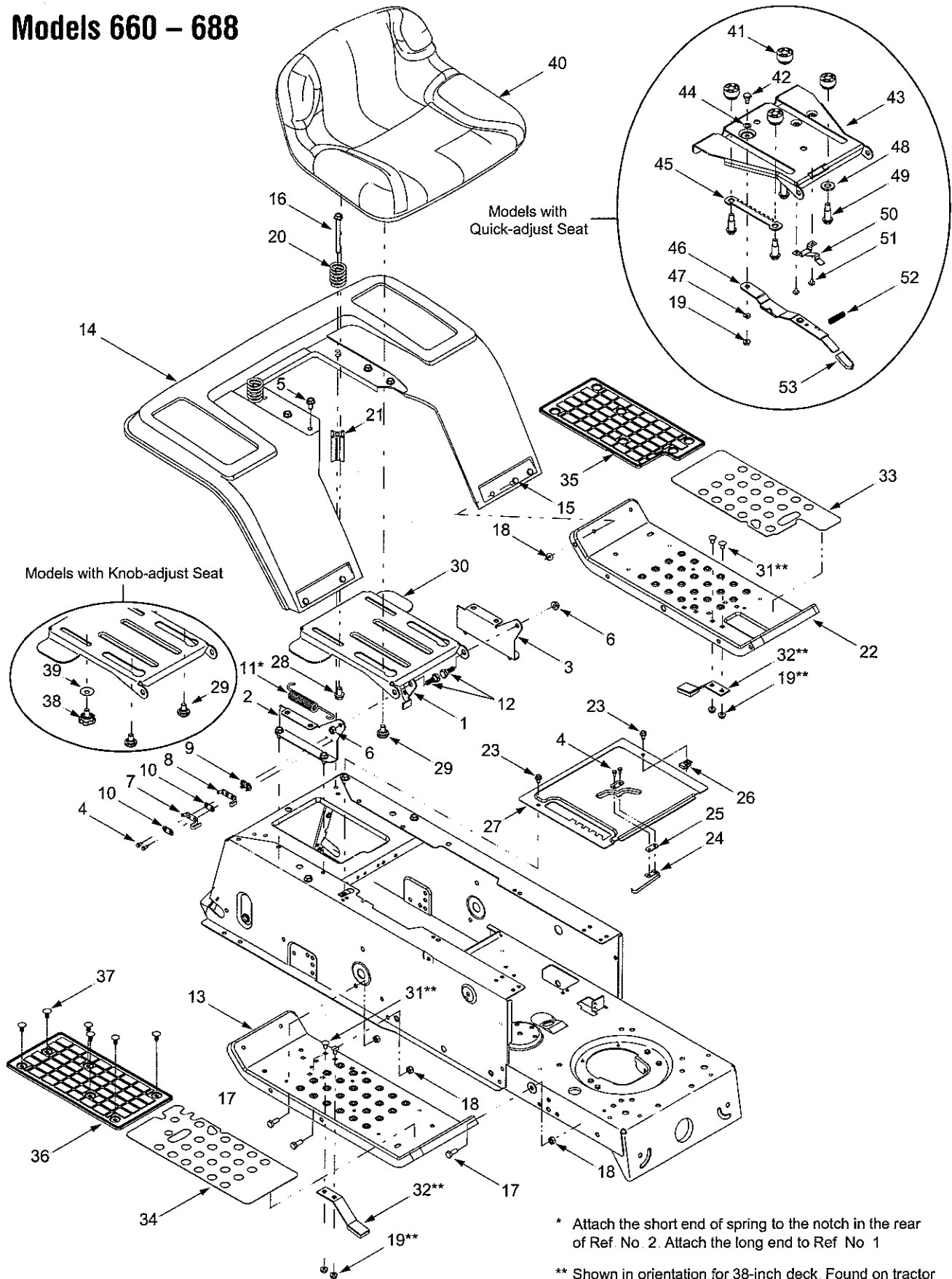
REF. NO.	PART NO.	DESCRIPTION	REF. NO.	PART NO.	DESCRIPTION
1	17198A	Retainer Gear Segment Plate	26	741-0487A	Flange Bushing, .632 ID
2	683-0002A	Pivot Bar, 625	27	741-0656	Hex Flange Bearing, 5/8
3	710-0514	Hex Cap Screw, 3/8-16 x 1.0	28	747-04008	Tie Rod, Non-adjustable
4	710-0643	Hex Cap Screw, 5/16-18 x 1.0	29	747-1268B	Steering Drag Link, 7/16-20
5	710-0726	Self-tapping Screw, 5/16-12 x .75	30	748-0389	Cap, 1.25 x .16
6	710-0805	Hex Cap Screw, 5/16-18 x 1.5	31	748-04014B	Steering Arm
7	710-1309	Machine Screw, 5/16-18 x .75	32	748-04020	Spacer, 1.0 x .645 x .56
8	712-0240	Jam Nut, 7/16-20 (Grade 2)	33	750-0535	Spacer, .380 x .625 x .21
9	712-0262	Jam Nut, 3/8-24	34	783-0041D	Pivot Bar Bracket
10	712-0431	Flange Lock Nut, 3/8-16	35	631-04028	Steering Wheel, Three Spoke
11	712-3004A	Flange Lock Nut, 5/16-18	631-04008	Steering Wheel, Three Spoke Soft Grip	
12	714-0470	Cotter Pin, 1/8 x 1.25	36	731-04058	Axle End Cap, w/ Fitting
13	717-1757A	Steering Segment Gear	37	731-04064	Steering Wheel Cap, Large
14	723-0448A	Ball Joint, 7/16 -20	731-04065	Steering Wheel Cap w/ Sprig, Large	
15	726-0214	Push Cap, 625	38	634-0056A	Round Shoulder Wheel Ass'y Complete
16	731-04057A	Axle End Cap, Standard	634-0105A	Square Shoulder Wheel Ass'y Complete	
17	736-0187	Flat Washer, .64 x 1.24 x .060	634-0115	Square Shoulder Wheel Ass'y Complete	
18	731-2290A	Deluxe Hub Cap	39	683-04016	RH Axle Assembly
19	736-0242	Bell Washer, .34 x .872 x .060	683-04015	LH Axle Assembly	
20	736-0356	Bell Washer, .391 x .380 x .062	683-04014	RH Axle Ass'y (models with 46-in Deck)	
21	731-04039	Steering Wheel Cap, Small	683-04013	LH Axle Ass'y (models with 46-in Deck)	
	731-04040	Steering Wheel Cap w/ Sprig, Small	40	731-0484A	Hub Cap
22	738-0141	Shoulder Screw, .435 x .350, 5/16-18	41	736-0162	Flat Washer, .64 x 1.0 x .12
23	738-0527	Shoulder Screw, .498 x 2.045	42	736-0285	Flat Washer, .635 x 1.589 x .06
24	738-0919	Steering Shaft, 21.86	43	747-04057	Tie Rod, Adjustable
25	741-0475	Plastic Bushing, .38 ID	44	711-04059	Ferrule, 3/8-24 x .437 Dia

	Wheel Ass'y Complete	Rim Assembly	Inner Bearing	Outer Bearing	Tire Only	Air Valve
Round Shoulder	634-0056A	634-0172	741-0706 (Flange w/ Fitting)	741-0487A (Plastic Flange)	734-0864 (15 x 6 x 6)	734-0255
Square Shoulder	634-0105A	634-0172	741-0706 (Flange w/ Fitting)	741-0487A (Plastic Flange)	734-1731 (15 x 6 x 6)	734-0255
Square Shoulder	634-0115	634-0051	741-0569 (Ball Bearing)	741-0569 (Ball Bearing)	734-1731 (15 x 6 x 6)	734-0255



NOTE: Tractor features vary by model. NOT all parts listed above and pictured on the previous page are standard equipment.

Models 660 – 688



* Attach the short end of spring to the notch in the rear of Ref. No. 2. Attach the long end to Ref. No. 1

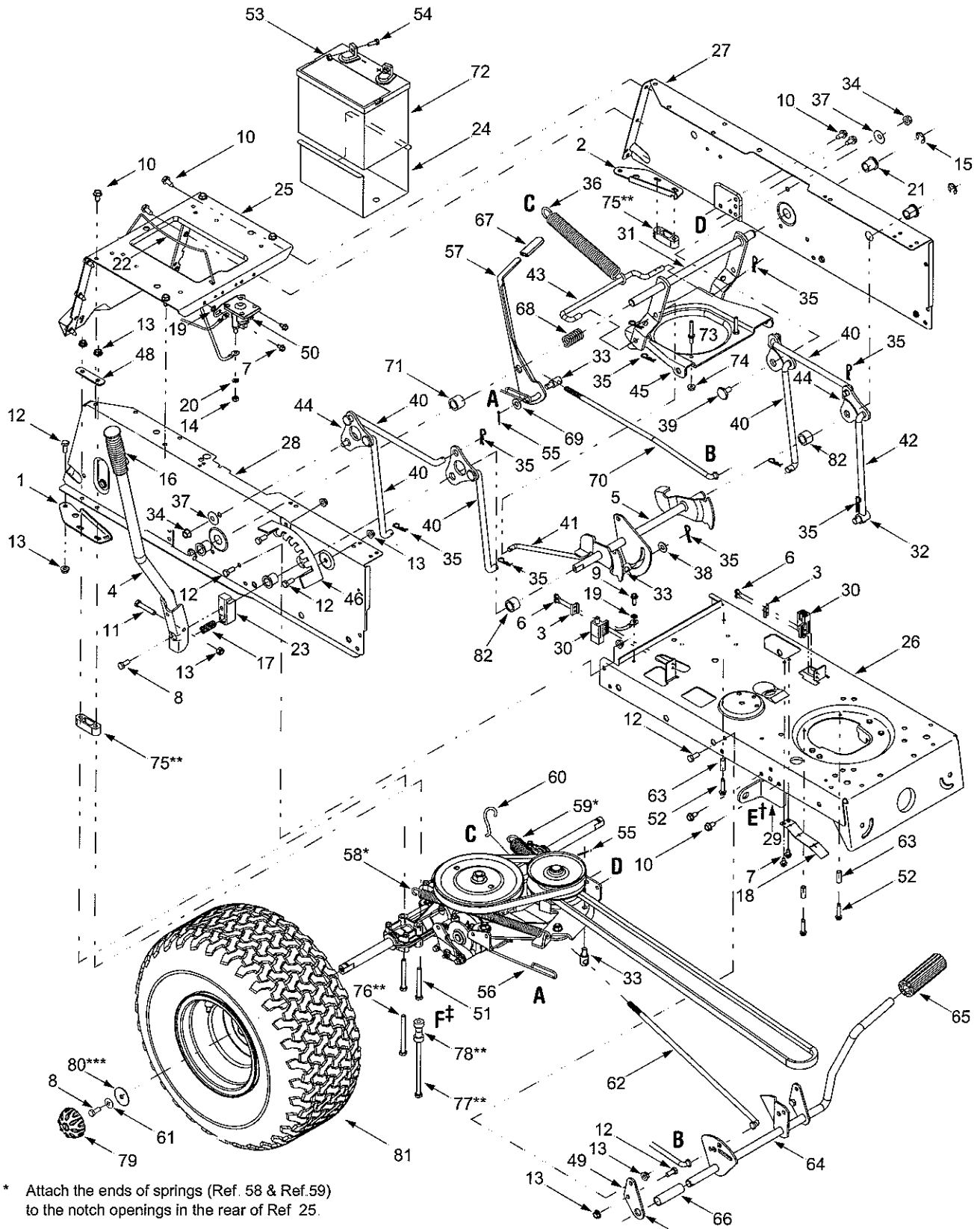
** Shown in orientation for 38-inch deck. Found on tractor models with 38- or 42-inch deck only.

Models 660 – 688

REF. NO.	PART NO.	DESCRIPTION	REF. NO.	PART NO.	DESCRIPTION
1	17239C	Seat Lift Bracket	28	710-0870	Screw, 3/8-16 x .625
2	17950A	RH Pivot Support Bracket, Seat	29	738-04012	Shoulder Screw, .625 x .175, 3/8-16
3	17951A	LH Pivot Support Bracket, Seat	30	783-04081A	Seat Pivot Bracket, Manual Adjust
4	710-0227	Self-tapping Screw, #8-18 x .50	31	710-0167	Carriage Screw, 1/4-20 x .50
5	710-0726	Self-tapping Screw, 5/16-12 x .75	32	761-0168B	Blade Spindle Brake Assembly
6	712-0429	Lock Nut, 5/16-18	33	723-04012	LH Abrasive Foot Pad
7	725-1303	Outer Seat Spring Switch	34	723-0422C	RH Abrasive Foot Pad
8	725-1439	Inner Seat Spring Switch	35	735-04009	LH Rubber Foot Pad
9	726-0278	Insulator Plate Boss	36	735-0196	RH Rubber Foot Pad
10	726-0279	Insulator Plate	37	726-3046	Ratchet Clip, .250 Dia
11	732-0581B	Extension Spring, .75 x 5.31	38	720-04009	Knob, 3/8-16 X .625
12	738-0296	Shoulder Screw, 437 x 286	39	736-0219	Bell Washer, 389 x 1 120 x .030
13	17770H	Running Board	40	757-04021	Low Back Seat, Black
14	17870C	Fender		757-04020	Medium Back Seat, Black
15	710-0751	Hex Screw, 1/4-20 x .620	41	731-04074	Spacer
16	710-1208	Self-tapping Screw, 5/16-18 x 3 5	42	712-0137A	Shoulder Screw, 340 x 285, 1/4- 20
17	710-3008	Hex Screw, 5/16-18 x .75	43	783-0738A	Seat Pivot Bracket, Quick-Adjust
18	712-0429	Nylon Lock Nut, 5/16-18	44	736-0204	Flat Washer, 344 x .62
19	712-3027	Flange Lock Nut, 1/4-20	45	783-0753	Seat Select Bracket
20	732-04038	Compression Spring, 1.314 x 1.8	46	783-0739	Seat Adjustment Lever
21	750-04212	Spacer	47	736-0175	Spring Washer
22	783-04139A	LH Running Board	48	736-3019	Flat Washer, .531 x 1.062 x .134
23	710-0599	Self-tapping Screw, 1/4-20 x .5	49	738-0966	Shoulder Screw, 50 x .925, 3/8-16
24	725-1643	Spring Switch, Long	50	783-0611	Seat Stop
25	726-0320	Insulator Nut Plate	51	710-1268	Screw, #10-16 x .375
26	726-3054	U-Clip Nut, 1/4-20	52	732-0499	Compression Spring
27	783-04060A	Shift Cover Panel, 6-speed	53	720-0309A	Grip
	783-04050A	Shift Cover Panel, 8-speed	54	732-0735	Compression Spring, 1.314 x 2.55

NOTE: Tractor features vary by model NOT all parts listed above and pictured on the previous page are standard equipment.

Models 660 – 688



* Attach the ends of springs (Ref. 58 & Ref.59) to the notch openings in the rear of Ref. 25.

** Found on tractor models with 46-inch deck only.

*** Used on tractor models with Deluxe hub cap only

† Refer to E† on Page 18 & Page 20

‡ Refer to F‡ on Page 20

Models 660 – 688

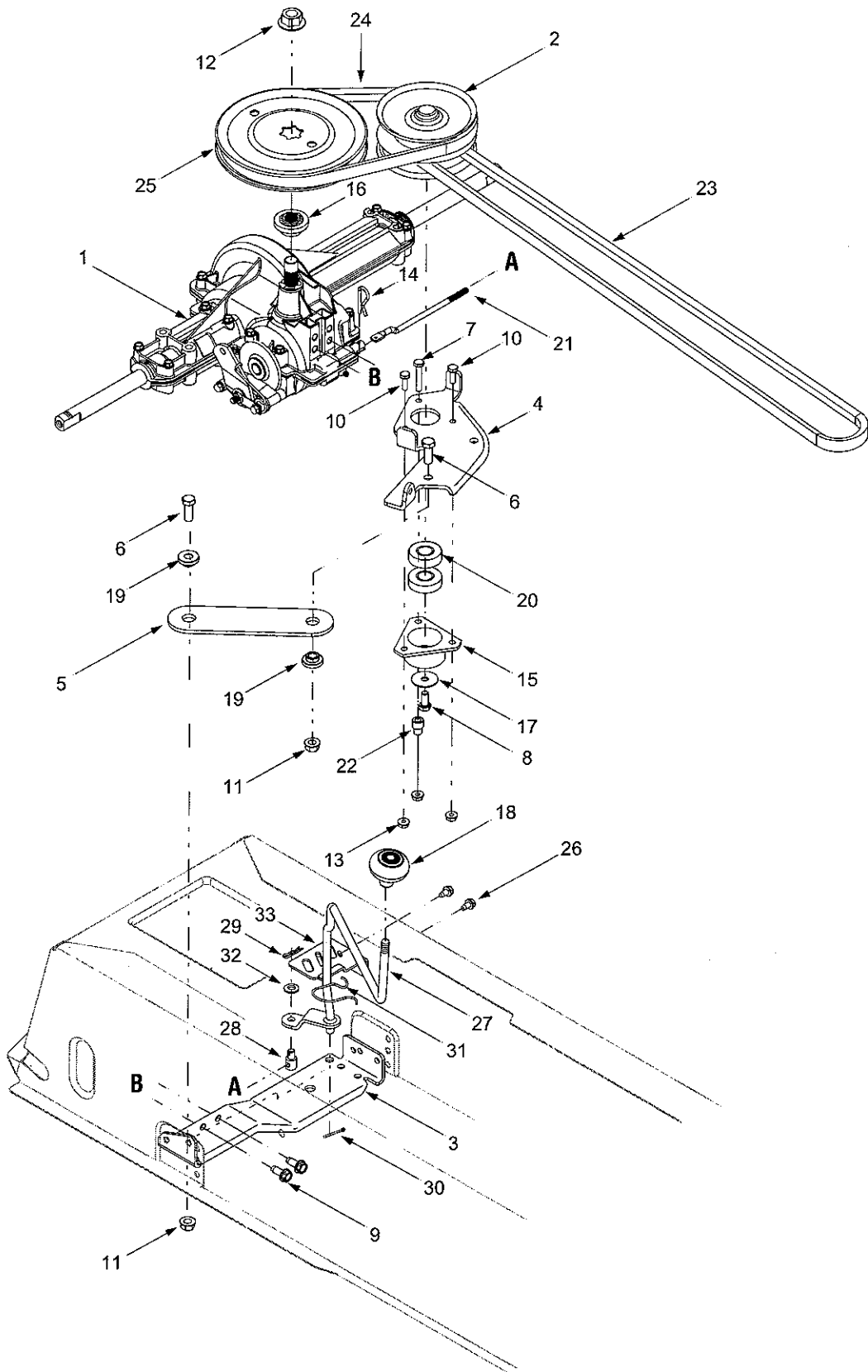
REF. NO.	PART NO.	DESCRIPTION	REF. NO.	PART NO.	DESCRIPTION
1	17668A	RH Axle Support Bracket	44	748-04307	Lift Link
2	17669A	LH Axle Support Bracket	45	783-04093	Stabilizer Bracket (46-inch Decks)
3	17962	Switch Plate		783-04294	Stabilizer Bracket (38- and 42-inch Decks)
4	683-04025	Lift Handle Assembly	46	783-04113	Deck Lift Index Bracket
5	683-04049	Lift Shaft Assembly	47	17630A	Shift Lever Retainer
6	710-0224	Self-tapping Screw, #10-16 x .5	48	17840	Transaxle Mounting Bracket
7	710-0599	Self-tapping Screw, 1/4-20 x .5	49	17860	Pedal Mounting Bracket
8	710-0627	Hex Cap Screw, 5/16-24 x .75	50	725-1426	Solenoid
9	710-0642	Self-tapping Screw, 1/4-20 x .75	51	710-0176	Hex Cap Screw, 5/16-18 x 2.75
10	710-0726	Self-tapping Screw, 5/16-12 x .75	52	710-0809	Self-tapping Screw, 1/4-20 x 1.25
11	710-3180	Hex Cap Screw, 5/16-18 x 1.75	53	712-0271	Hex Sems Nut, 1/4-20
12	710-3008	Hex Screw, 5/16-18 x .75	54	710-3015	Hex Screw, 1/4-20 x .75
13	712-0429	Lock Nut, 5/16-18	55	714-0111	Cotter Pin, 1.0
14	712-3006	Hex Nut, 1/4-20	56	732-04029	Extension Spring, 59 x 12.38
15	716-0106A	E-Ring, .625 Dia Shaft	57	783-04059	Speed Select Lever
16	720-0233	Handle Grip	58	732-04075A	Extension Spring, .73 x 12.54
17	732-0369	Compression Spring, .55 x 1.37	59	732-04076	Extension Spring, 1.15 x 7.90
18	732-0750A	Switch Actuator Spring	60	732-0722A	Brake Return Spring
19	736-0222	External Lock Washer, 1/4	61	736-0242	Bell Washer, 34 x 872 x .060
20	736-0329	Lock Washer, 1/4	62	747-04043	Variable Speed Control Rod
21	741-0487A	Flange Bearing, .632 ID	63	750-0566A	Spacer, .260 x .372 x 1.030
22	747-04031	Battery Hold-down Rod	64	683-04005A	Clutch / Brake Pedal Assembly
23	748-04011A	Lift Shaft Connector	65	735-0196	Foot Pad, 4.6
24	783-0345	Battery Tray	66	750-0802	Spacer, .640 x .76 x 2.63
25	783-0355D	Hitch Plate	67	720-04008	Shift Handle Grip
26	783-04011A	Lower Frame	68	732-04017	Compression Spring, .89 x 1.75
27	783-04031	LH Upper Frame Side Panel	69	736-0300	Flat Washer, .406 x 875 x .059
28	783-04032	RH Upper Frame Side Panel	70	747-04039	Speed Control Rod
29	783-04213	Deck Anti-sway Bracket	71	750-04080	Spacer, .640 x 1.0 x .78
30	725-04039	Screw-mount Interlock Switch	72	725-1706A	Battery, 270 CCA
31	683-04048A	Stabilizer Shaft Assembly		725-1737A	Battery, 190 CCA
32	711-04036	Ferrule, 1/2-20 x .50	73	712-3027	Flange Lock Nut, 1/4-20
33	711-04075A	Ferrule, 3/8-24 x .375	74	711-0993	Belt Guard Pin, 1/4-20
34	712-0130	Lock Nut, 3/8-16	75	749-0334	Spacer
35	714-04023	Internal Cotter Pin, .080 x 1.56	76	710-1266	Hex Cap Screw, 5/16-18 x 3.25
36	732-04050A	Extension Spring, 1.07 x 9.52	77	710-0833	Hex Cap Screw, 5/16-18 x 5.25
37	736-0219	Bell Washer, 389 x 1.12 x .030	78	748-04021A	Shoulder Spacer
38	736-0267	Flat Washer, .385 x .87 x .060	79	731-2290A	Deluxe Hub Cap
39	738-0322	Shoulder Bolt, .625 x 2.17	80	736-0430	Flat Washer, 350 x 1.59 x .062
40	747-04018A	Deck Hanger Link	81	734-1675	Round Shoulder Wheel Ass'y Complete
41	747-04040A	Deck Disengagement Rod		634-0104	Square Shoulder Wheel Ass'y Complete
42	747-04069A	Deck Hanger Link	82	748-04037	Spacer, .635 x 1.0 x .696
43	747-04115A	Stabilizer Rod (46-inch Decks)			
	747-04157	Stabilizer Rod (38- and 42-inch Decks)			

	Wheel Ass'y Complete	Rim Assembly	Tire Only	Air Valve
Round Shoulder*	734-1675	634-0070	734-1596 (20 x 8 x 8)	734-0255
Square Shoulder*	634-0104	634-0070	734-1730 (20 x 8 x 8)	734-0255

* See illustration on Page 3

NOTE: Tractor features vary by model NOT all parts listed above and pictured on the previous page are standard equipment.

Models 660 - 688

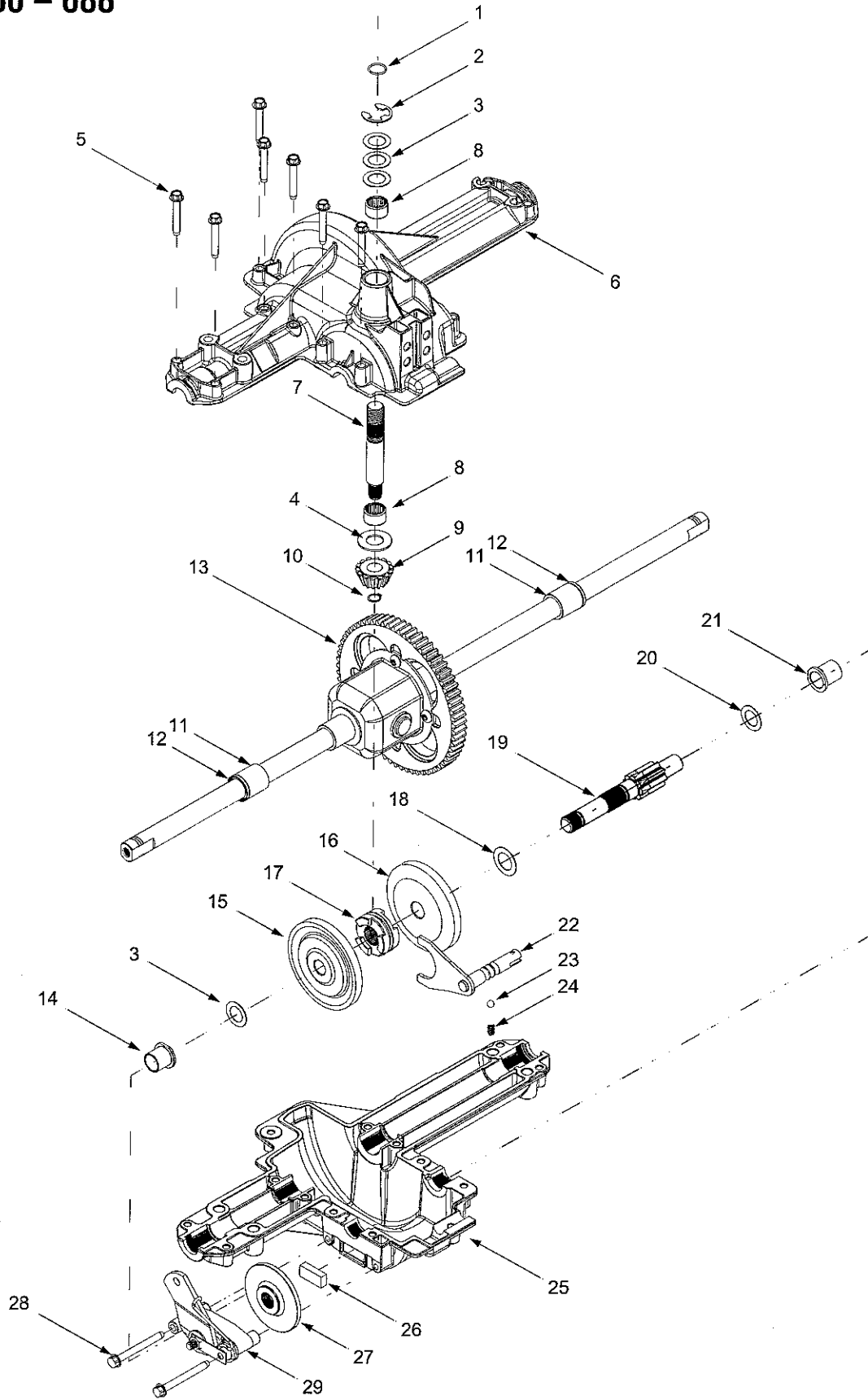


Models 660 – 688

REF. NO.	PART NO.	DESCRIPTION
1	618-04034	Transmission, Single-speed
2	656-0059A	Variable-speed Pulley, 4.75
3	683-04055A	Torque Bracket
4	683-04056	Variable-speed Bracket
5	683-04057	Variable-speed Bracket
6	710-0514	Hex Cap Screw, 3/8-16 x 1.0
7	710-0606	Hex Cap Screw, 1/4-20 x 1.5
8	710-0627	Hex Cap Screw, 5/16-24 x .75
9	710-1260A	Screw, 5/16-18 x .75
10	710-3015	Hex Screw, 1/4-20 x .75
11	712-0431	Flange Lock Nut, 3/8-16
12	712-0700	Flange Nut, 9/16-18
13	712-3027	Flange Lock Nut, 1/4-20
14	714-0209	Internal Cotter Pin, .125
15	718-04012	Bearing Cup
16	718-0758A	Pulley Hub, 5/8 Spline
17	736-0362	Flat Washer, 320 x 1.25 x .06
18	720-04028	Shift Knob
19	738-0372B	Shoulder Spacer, 1.0 x .38 x .38
20	741-0600	Ball Bearing, 17 x 40 x 12
21	747-04072	Shift Rod
22	750-04099	Stepped Spacer
23	754-04001A	Lower Drive Belt
24	754-04002	Upper Drive Belt
25	756-04002	Transmission Pulley, 7.25
26	710-0599	Self-tapping Screw, 1/4-20 x .5
27	647-04019	Shift Lever Assembly
28	711-0736	Ferrule, 1/4-20 x 1.0
29	714-0104	Cotter Pin, 1.13
30	714-0470	Cotter Pin, 1.25
31	732-04067	Spring Compression Clip
32	736-0275	Flat Washer, 344 x 688 x .065
33	17630A	Shift Lever Retainer

NOTE: Tractor features vary by model. NOT all parts listed above and pictured on the previous page are standard equipment.

Models 660 – 688



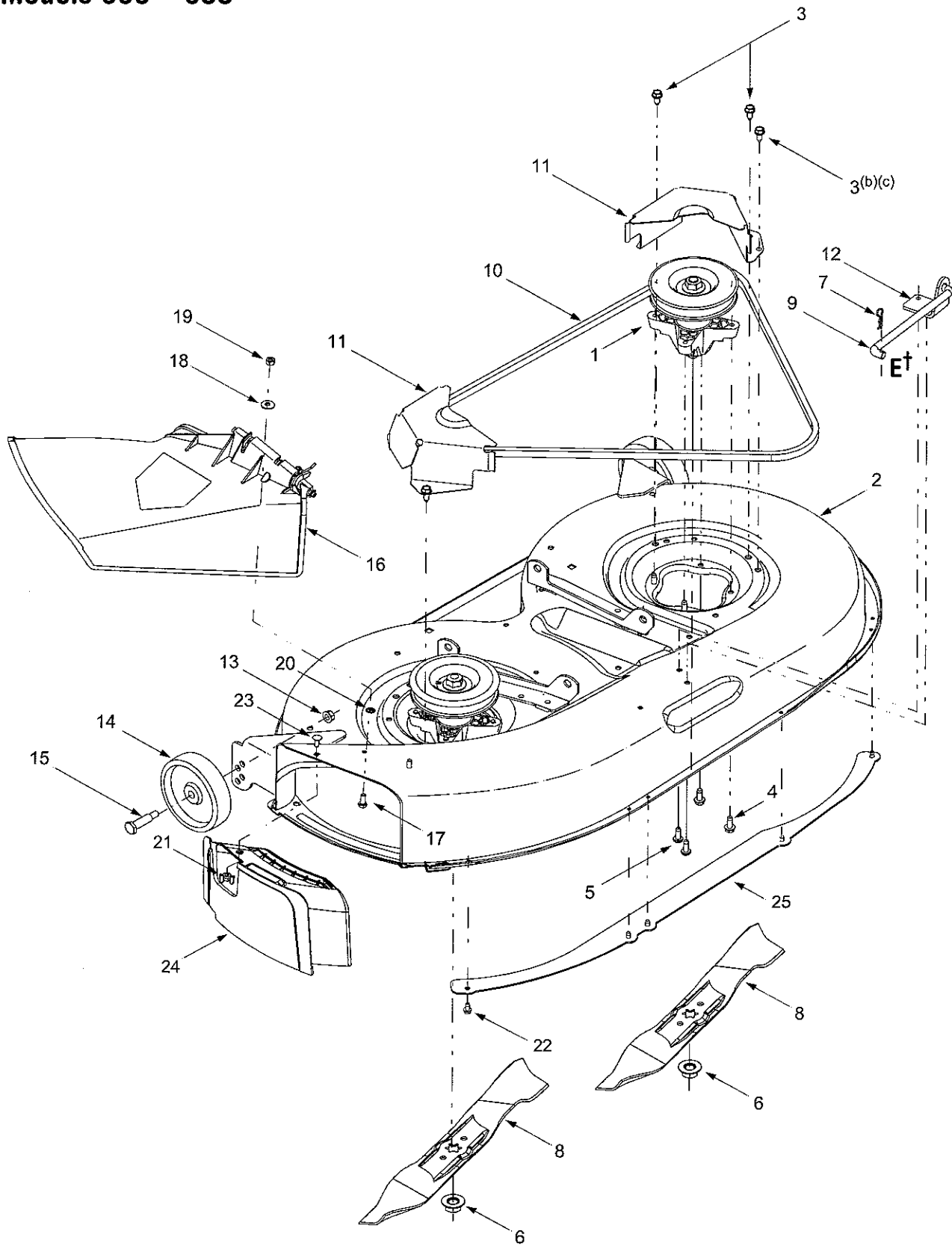
Models 660 – 688

REF. NO.	PART NO.	DESCRIPTION
1	732-0614	Ring, Wire
2	716-0231	Ring, E Type, .750
3	736-0336	Flat Washer, 5/8 x 1 0 x .030*
	736-0337	Flat Washer, 5/8 x 1 0 x .040*
	736-0349	Flat Washer, 5/8 x 1 0 x .020*
4	736-0335	Washer, Thrust .635 x 1 26 x .06
5	710-1325	Self-tapping Screw, 1/4-20 x 1 625
6	719-04017	Upper Housing
7	711-1109	Input Shaft
8	741-0335	Needle Bearing, 625 x .813 x .495
9	717-1464	14-tooth Bevel Pinion
10	716-0108	Retaining Ring, 437
11	741-0340	Sleeve Bearing, 75 x 1 0 x 1.0
12	721-0338	Seal, 75 x 1.0 x 125
13	618-04041	Differential Assembly
14	741-0336	Flange Bearing, 5/8 x 3/4 x 3/4
15	717-1362	42-tooth Bevel Gear
16	717-1363	42-tooth Bevel Gear
17	718-0228	Clutch Collar
18	736-0519	Flat Washer, .70 x 1 125 x .031
19	711-04053	Drive Shaft
20	736-0495	Thrust Washer, 1.0 x .632 x .0
21	741-0337	Flange Bearing, 5/8 x 3/4 x 15/16
22	611-0011	Detent Shaft Assembly
23	741-0862	Detent Ball
24	732-0863	Compression Spring
25	719-04018	Lower Housing
26	717-0678	Brake Puck
27	761-0202	Brake Disc
28	710-1206	Self-tapping Screw, 1/4-20 x 2.375
29	661-0001	Brake Assembly
—	737-0148	Grease (19 oz.)

*Use applicable flat washer (12a, 12b or 12c) in this application allowing .0150/.0020 in. end-play

NOTE: If rebuilding the upper housing, include two ounces (2 oz.) of Unirex[®] N3 grease (Part No 737-0289) in the input shaft cavity

Models 660 – 688



† Refer to E† on Page 12

Models 660 – 688

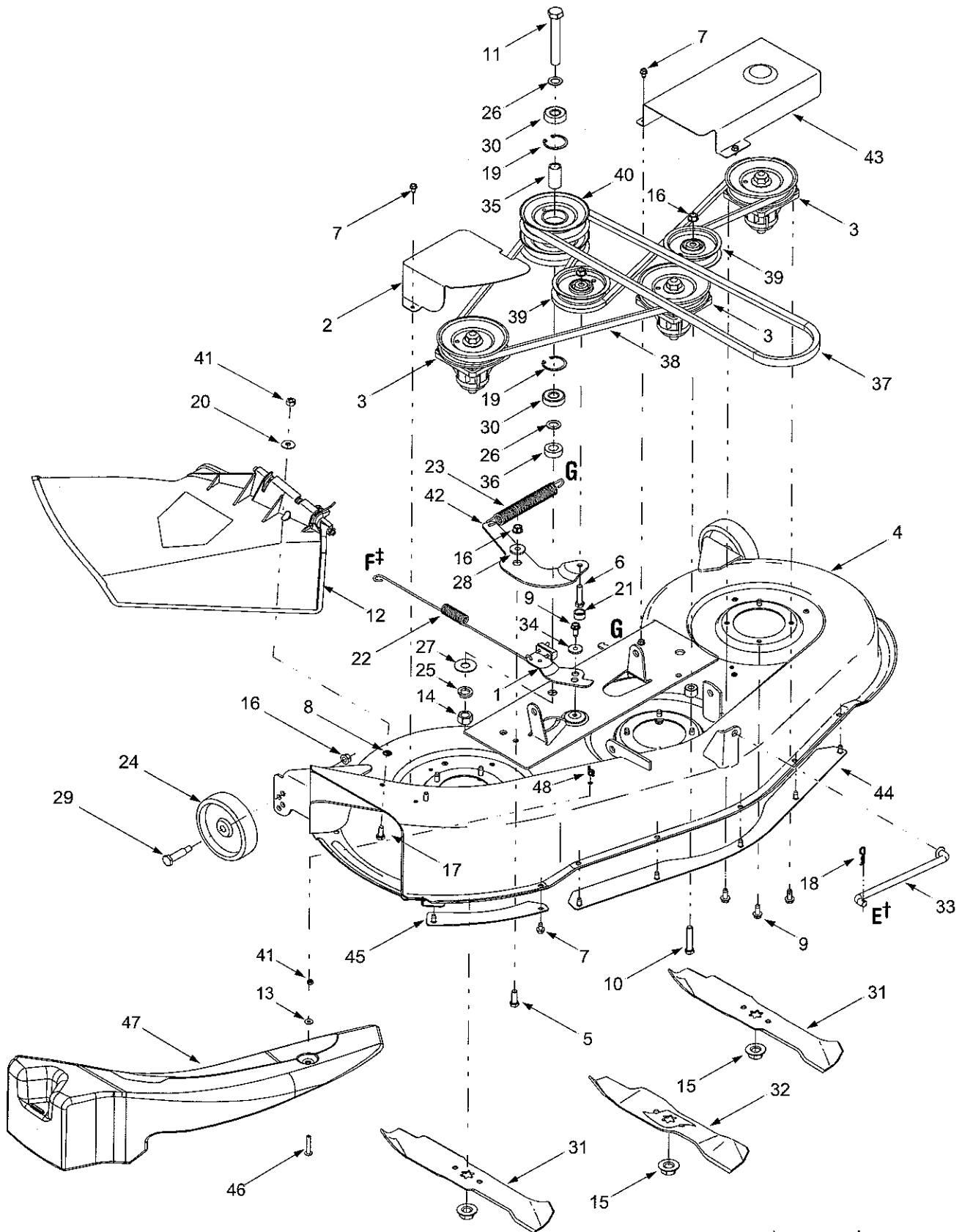
REF. NO.	PART NO.	DESCRIPTION
1	618-0138A	Spindle Assembly (a)
	618-0142A	Spindle Assembly (b) (c)
2	683-04003A	Deck Shell (a)
	683-04004A	Deck Shell (b)
	683-04035A	Deck Shell (c)
3	710-0726	Self-tapping Screw, 5/16-12 x 75
4	710-1260A	Screw, 5/16-18 x 75
5	710-1616A	Self-tapping Screw, 5/16-18 x 75
6	712-0417A	Hex Flange Nut, 5/8-18
7	714-04023	Internal Cotter Pin, 080 x 1 56
8	742-0610A	Blade, 19 38" (a)
	742-0616A	Blade, 21 23" (b) (c)
9	747-04018A	Deck Hanger Link/Anti-sway Rod
10	754-0329A	Deck Belt (a)
	754-0371A	Deck Belt (b) (c)
11	783-04148A	Belt Cover (a)
	783-04149B	Belt Cover (b) (c)
12	783-04211	Anti-sway Stabilizer Bracket
13	712-0431	Flange Lock Nut, 3/8-16 (c)
14	734-0973	Deck Wheel, 5 x 1.38 (c)
15	738-0373	Shoulder Screw, .498 x 1 53 (c)
16	731-1032B	Discharge Chute Assembly
17	710-0751	Hex Cap Screw: 1/4-20 x .620
18	736-0270	Bell Washer, .265 x .75 x .062
19	712-3006	Hex Nut, 1/4-20
20	726-0233	Push Nut, 1/4
21	712-3087	Wing Nut, 1/4-20
22	710-0599	Self-tapping Screw, 1/4-20 x .5
23	710-0134	Carriage Screw, , 1/4-20 x .62
24	731-2363	Mulch Plug
25	783-1146A	Deck Skirt (b) (c)

- (a) Tractor models with 38-inch Deck Only
- (b) Tractor models with 42-inch Deck Only
- (c) Tractor models with 42-inch Deck w/ Deck Wheels Only

IMPORTANT: For a proper working machine, use Factory Approved Parts. **V-belts** are designed to engage and disengage safely. A substitute (non OEM) V-belt can be dangerous by not disengaging completely.

NOTE: Tractor features vary by model. NOT all parts listed above and pictured on the previous page are standard equipment

Models 660 - 688



† Refer to E† on Page 12
 ‡ Refer to F‡ on Page 12

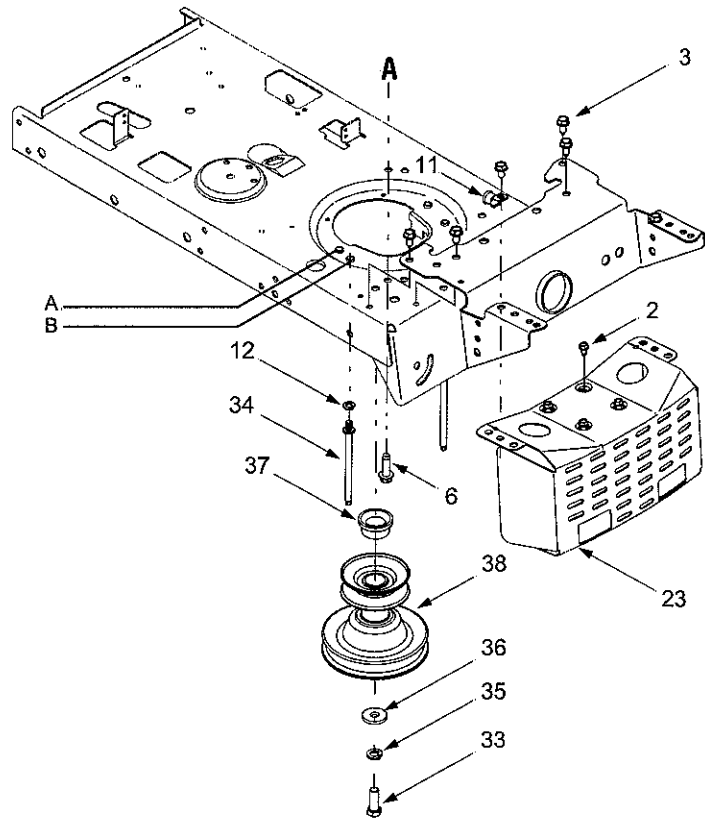
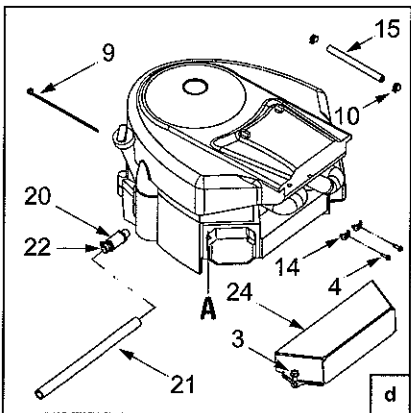
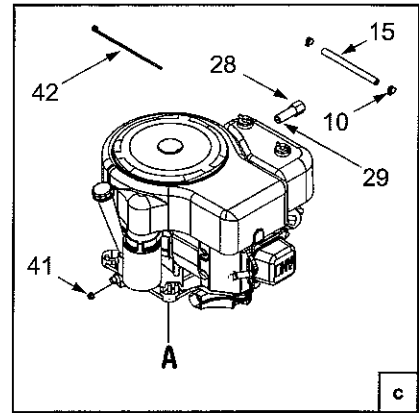
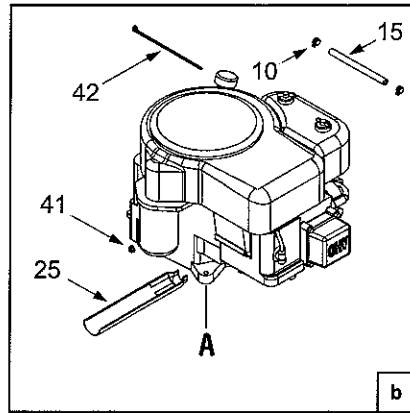
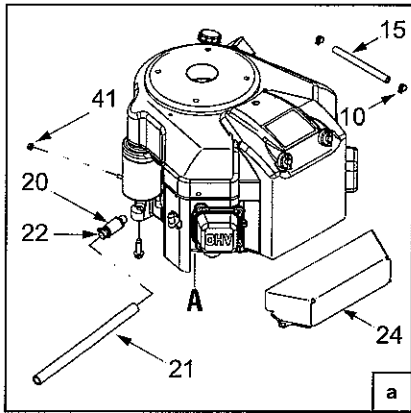
Models 660 – 688

REF. NO.	PART NO.	DESCRIPTION	REF. NO.	PART NO.	DESCRIPTION
1	17116	Deck Brake Assembly	25	736-0158	Lock Washer, 5/8
2	17258D	RH Belt Cover	26	736-0290	Flat Washer, 5/8
3	618-0240A	Spindle Assembly, 5 0 Dia	27	736-3088	Flat Washer, 1.585 x .635 x .062
	756-1187	Pulley Only	28	738-0347	Shoulder Spacer, .625 x 1.16
4	683-04133	46-inch Deck Shell	29	738-0373	Shoulder Screw, 498 x 1.53
5	710-0514	Hex Cap Screw, 3/8-16 x 1 0	30	741-0524	Bearing, 625 x 1 574 x .470
6	710-0520	Hex Cap Screw, 1/4-20 x 1 5	31	742-0611A	Three-in-one Blade, Star Center, 16 28"
7	710-0599	Self-tapping Screw, 1/4-20 x .5	32	742-0612A	Three-in-one Blade, Star Center, 14 88"
8	726-0233	Push Nut, 1/4	33	747-04018A	Deck Hanger Link/Anti-sway Rod
9	710-1260A	Screw, 5/16-18 x .75	34	748-0234	Shoulder Spacer
10	710-3144	Hex Cap Screw, 3/8-16 x 2 0	35	750-0932A	Spacer, 635 x 88 x 1.72
11	710-3151	Hex Cap Screw, 5/8-18 x .875	36	750-0960A	Spacer, 635 x 1 25 x 445
12	731-1032	Discharge Chute Assembly	37	754-0439	PTO Belt (Upper Deck Belt)
13	736-0173	Flat Washer, 28 X .74 X .063	38	754-0440	Deck Belt (Lower Deck Belt)
14	712-0337	Hex Nut, 5/8-18	39	756-0627B	Idler Pulley, 3 5
15	712-0417A	Hex Flange Nut, 5/8-18	40	756-0638	Double Pulley, 5 0
16	712-0431	Flange Lock Nut, 3/8-16	41	712-3006	Hex Nut, 1/4-20
17	710-0751	Hex Cap Screw: 1/4-20 x .620	42	783-0046	Idler Bracket
18	714-04023	Internal Cotter Pin, .080 x 1.56	43	783-0063A	LH Belt Cover
19	716-3020	Internal Retaining Ring	44	783-0141	Deck Skirt, Center
20	736-0270	Bell Washer, 265 x 75 x .062	45	783-0142	Deck Skirt, Right-hand
21	731-1490	Slide Cap	46	710-0578	Screw, 1/4-20 x 1.5
22	732-04047	Extension Spring, 788 x 15 5	47	731-1636	Mulch Plug
23	732-0594A	Extension Spring, 91 x 7 33	48	712-3087	Wing Nut, 1/4-20
24	734-0973	Deck Wheel, 5 x 1.38			

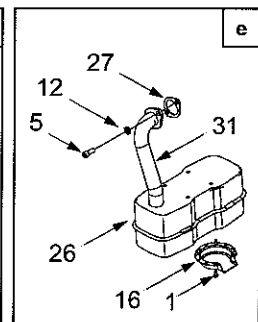
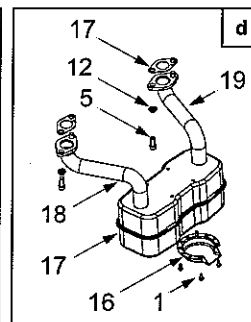
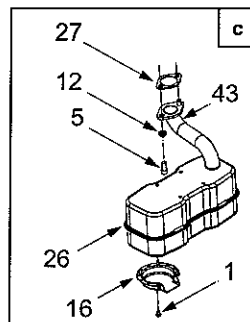
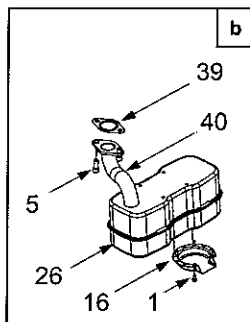
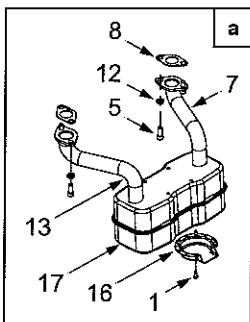
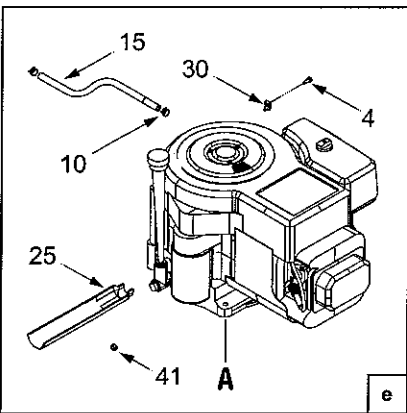
IMPORTANT: For a proper working machine, use Factory Approved Parts. **V-belts** are designed to engage and disengage safely. A substitute (non OEM) V-belt can be dangerous by not disengaging completely.

NOTE: Tractor features vary by model. NOT all parts listed above and pictured on the previous page are standard equipment.

Models 660 – 688



A. Models with a 46-inch Deck
B. Models with a 38- or 42-inch Deck



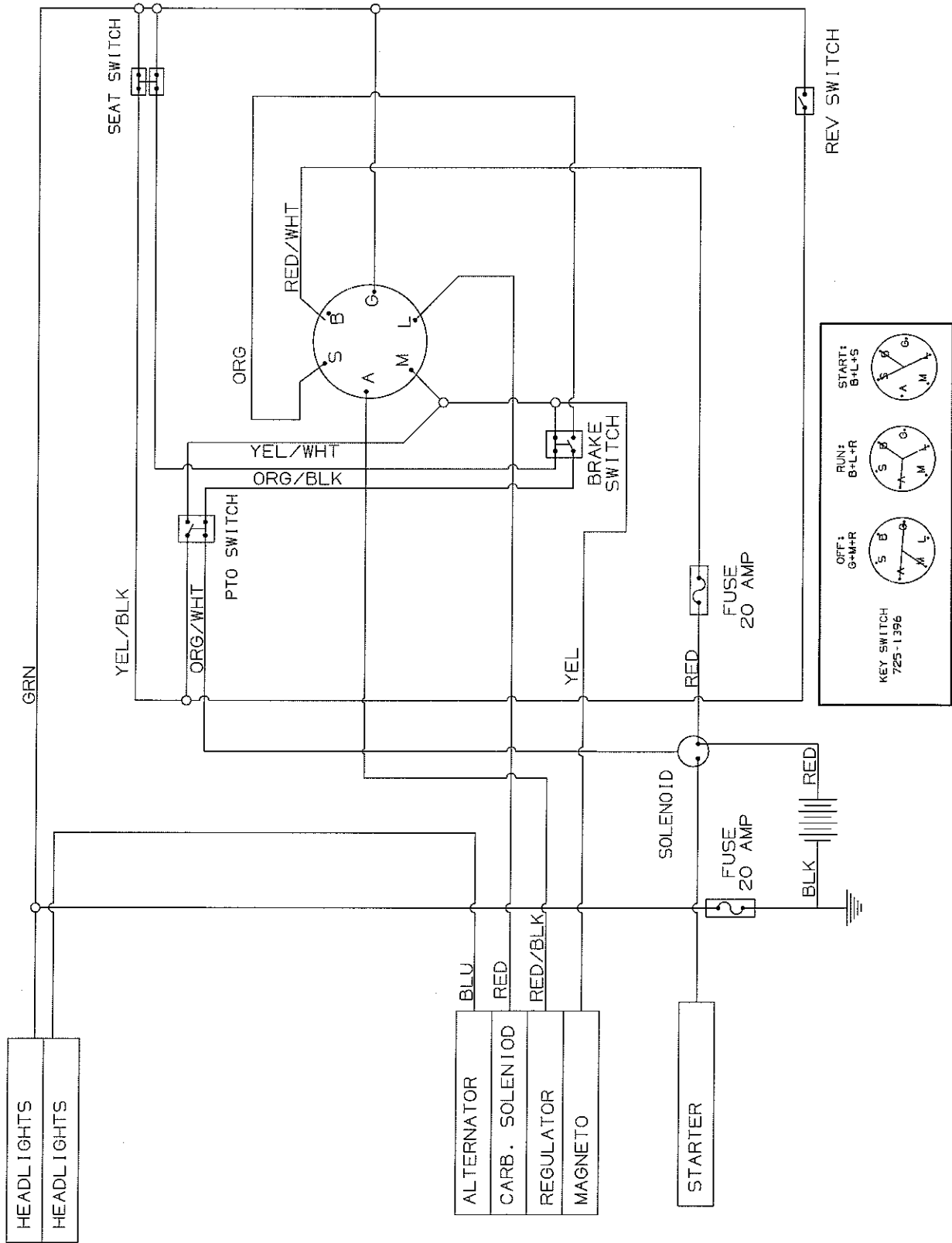
Models 660 – 688

REF. NO.	PART NO.	DESCRIPTION
1	710-0148	Screw, #8-32 x .375
2	710-0599	Self-tapping Screw, 1/4-20 x .5
3	710-0726	Self-tapping Screw, 5/16-12 x .75
4	710-1237	Screw, #10-32 x .625
5	710-1314A	Socket Cap Screw, 5/16-18 x .625
6	710-1315	Self-tapping Screw, 3/8-16 x 1.25
7	751-0813	LH Exhaust Pipe
8	721-0460	Exhaust Gasket
9	726-0154	Push-mount Cable Tie, 7.5
10	726-0205	Hose Clamp, 490
11	726-0272	Clamp, 9/16
12	736-0119	Lock Washer, 5/16
13	751-0813	RH Exhaust Pipe
14	751B221535	Casing Clamp
15	751-0535	Fuel Line Hose
16	751-0564A	Muffler Deflector
17	751-0616A	Muffler, Twin Inlet
18	751-0650A	RH Exhaust Pipe
19	751-0651A	LH Exhaust Pipe
20	751-3140	Oil Drain Valve
21	751-3141	Oil Drain Hose
22	751-3142	Oil Drain Cap
23	783-0615C	Muffler Heat Shield
24	783-0625C	Engine Heat Shield
25	731-1682A	Oil Drain Sleeve
26	751-0617A	Muffler, Single Inlet
27	721-0208	Exhaust Gasket
28	737-0143	Oil Drain Cap, 3/8-18
29	737-0199	Oil Drain Pipe, 3/8-16 x 2.0
30	751B213146	Casing Clamp
31	751-0619A	Exhaust Pipe
32	710-0227	Screw, #8-18 x .50
33	710-3029	Hex Screw, 7/16-20 x 1.25
34	711-1044	Belt Keeper Pin, 5/16 x 4.75
35	736-0171	Lock Washer, 7/16
36	736-0322	Flat Washer, 450 x 1.25 x .164
37	750-0956	Spacer, 1.0 x 1.4 x .825
38	756-04023	Engine Pulley, 3.12 x 5.56
39	721-0348	Exhaust Gasket
40	751-0620	Exhaust Pipe
41	712-0271	Hex Sems Nut, 1/4-20
42	725-0157	Cable Tie, 7.4"
43	751-0622	Exhaust Pipe

- (a) Tractor models with *Tecumseh* Twin-cylinder Engine
- (b) Tractor models with *Tecumseh* Single-cylinder Engine (16 HP - 18 HP)
- (c) Tractor models with *Tecumseh* Single-cylinder Engine (12 HP - 15 HP)
- (d) Tractor models with *Briggs and Stratton* OHV Twin-cylinder Engine
- (e) Tractor models with *Briggs and Stratton* OHV Single-cylinder Engine

NOTE: Tractor features vary by model. NOT all parts listed above and pictured on the previous page are standard equipment.

Models 660 - 688



MTD LLC, P.O. BOX 361131 CLEVELAND, OHIO 44136-9722