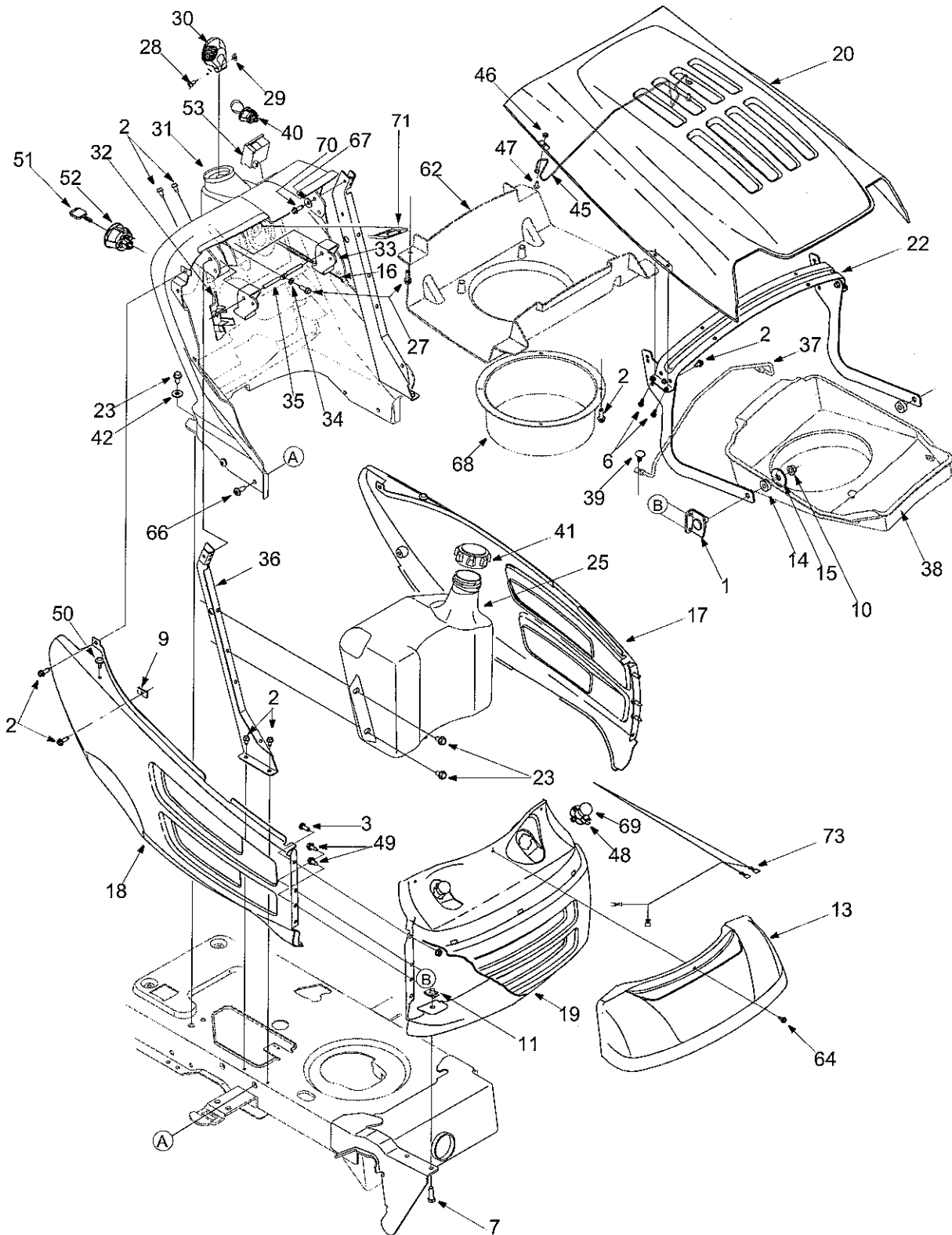


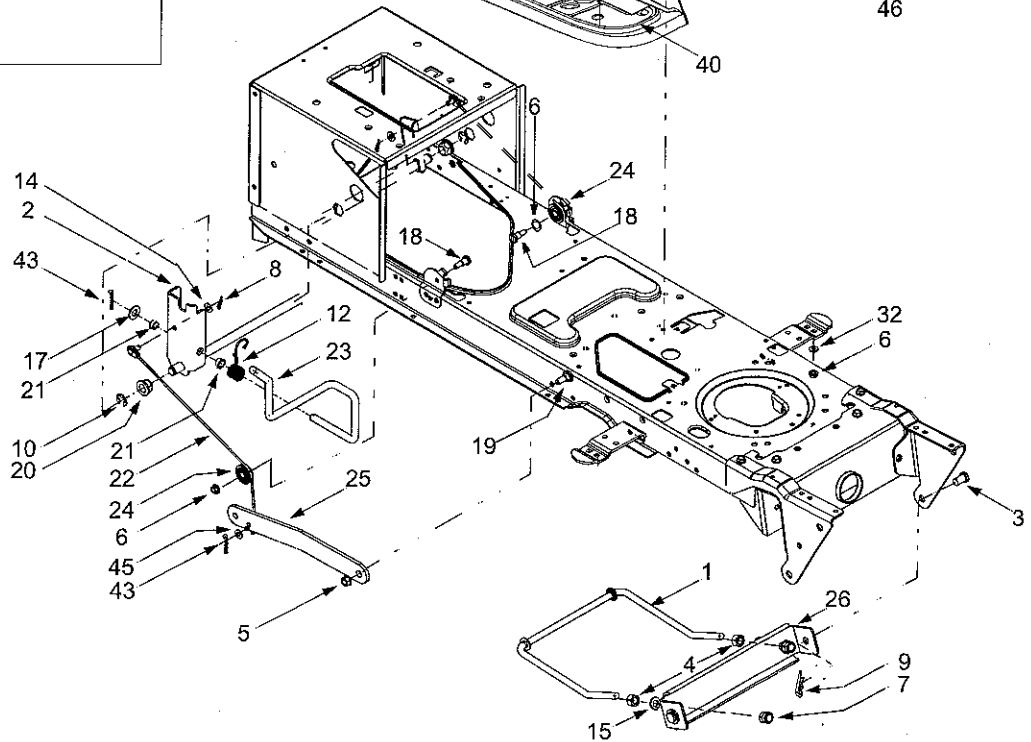
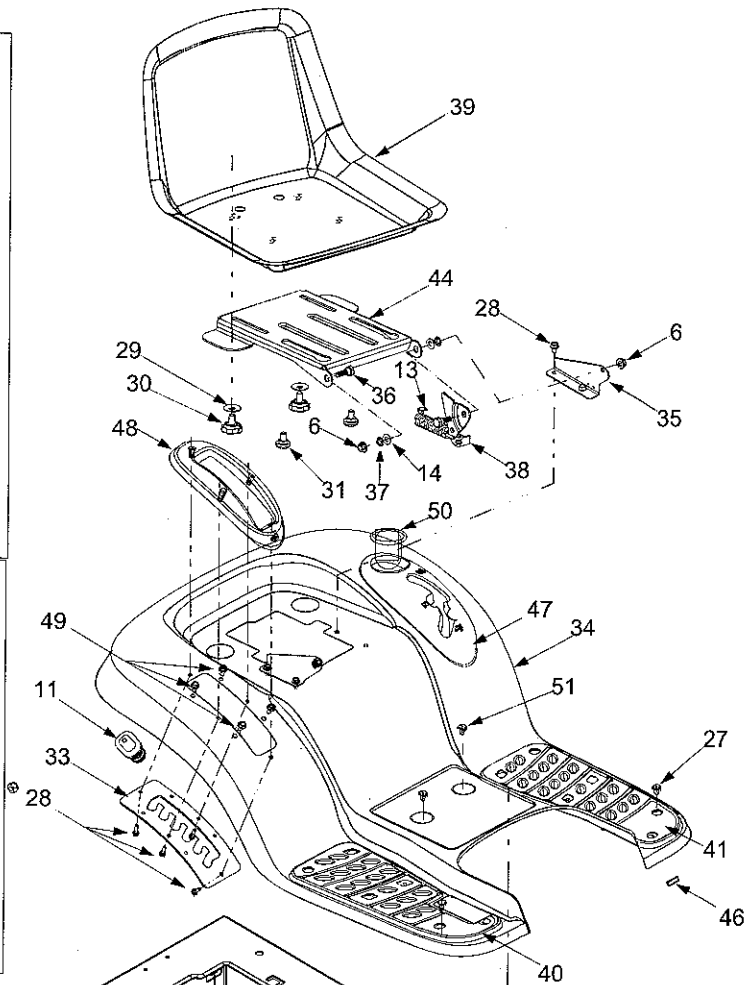
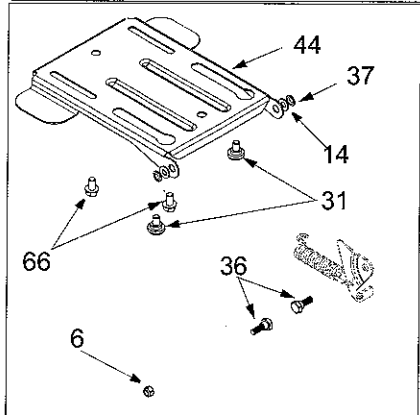
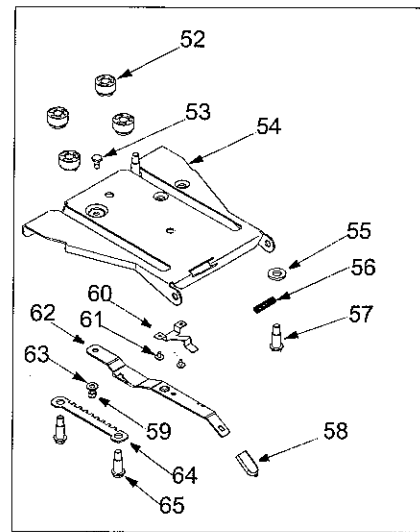
SECTION 8: PARTS LIST FOR MODELS 607 & 608



Models 607 & 608

Ref. No.	Part No.	Description	Ref. No.	Part No.	Description
1	683-0195	Bracket Assembly	39	726-3046	Ratchet Clip
2	710-0599	Self-tapping Screw, 1/4-20 x 5	40	725-1752	Electric PTO Switch (if equipped)
3	710-0751	Hex Cap Screw, 1/4-20 x .62	41	712-3027	Hex Flange Lock Nut, 1/4-20
4	710-0924	Phillips Pan Screw, 1/4-20 x .75	42	736-3078	Flat Washer, .349 x 1.0 x .063
6	710-0351	Screw, #10-16 x 5	45	747-1215A	Hood Latch
7	710-0376	Hex Cap Screw, 5/16-18 x 1 0	46	712-0272	Hex Sems Nut, #10-32
8	712-0271	Hex Sems Nut, 1/4-20	47	710-0473	Machine Screw, #10-24
9	712-0292	U-type Speed Nut, 1/4-20	48	725-1649	Headlight Socket
10	712-0431	Flange Lock Nut, 3/8-16	49	710-0896	Hex Index Washer Scr., 1/4-14 x .0625
11	726-0211	U-nut, 5/16-18	50	735-0199A	Rubber Bumper
13	731-1854A	Headlight Lens	51	725-1745	Ignition Key w/ plastic cover
14	735-0126	Rubber Washer, 87 x .33		725-1744	Ignition Key w/o plastic cover
15	736-3039	Flat Washer, .406 x 1.5 x 11GA	52	725-1741	Ignition Switch
16	746-1085	Choke Knob/Cable (B&S Twin)	53	725-1976	Systems Ind Monitor w/ Hour Meter
	746-1088	Choke Knob/Cable (Kohler)		725-1758	Systems Ind. Monitor w/ Ammeter
17	783-0475B	LH Side Panel	58	711-0332	Clevis Pin, 50 x .78
18	783-0476C	RH Side Panel	59	768-0010A	Bumper Assembly
19	783-0477A	Grill	60	714-0145	Internal Cotter Pin
20	783-0478A	Hood	61	731-2300	Hood, Red
21	783-1495	Hood Hinge Bracket		731-2301	Hood, Green
22	783-0553A	Hood Support Bracket		731-2302	Hood, Black
23	710-0604A	Self-tapping Screw, 5/16-18 x .625		731-2303	Hood, Charcoal Grey
24	751-0658D	Fuel Tank, Three Gallon	62	731-2306	Hood Plenum
	751-0659C	Fuel Tank, Two Gallon (shown)	63	783-1034	Hood Bracket
25	751-0603	Fuel Cap (fits either tank)	64	710-0456	Hex Screw, #10 x 50
26	710-0809	Self-tapping Screw, 1/4-20 x 1 25	65	731-1999	Choke Plug
27	710-0895	Self-tapping Screw, 1/4-15 x .75	66	710-1611B	Screw, 5/16-18 x .75
28	710-3217	Truss Phillips Screw, #8-32 x .375	67	736-0270	Bell Washer, 265 x .75 x .062
29	712-0142	Hex Nut, #8-32	68	731-2232	Intake Bellow (Intek Single & kohler)
30	731-1857	Throttle Control Knob	69	725-0963	Lamp
31	731-2225C	Dash Panel (Models w/ Electric PTO)	70	710-0642	Self-tapping Screw, 1/4-20 x .75
	731-2122C	Dash Panel (Models w/ Manual PTO)	71	783-0462	Bracket: Elec PTO Switch (if equipped)
32	731-2226	Cruise Control Button	72	629-0309	Headlight Wire Harness
	731-2228	Cruise Cover (Models w/o Cruise)	---	629-1067	Tractor Wire Harness (Models w/ Hour Meter & Electric PTO)
33	731-2227	Parking Brake Button	---	629-1068	Tractor Wire Harness (Kohler: Models with Hour Meter & Electric PTO)
34	736-0142	Flat Washer, 9/32 x 1/2 x 1/16	---	629-1071	Tractor Wire Harness (Models with Hour Meter & Manual PTO)
35	747-1196	Brake/Cruise Pivot Rod	---	629-1072	Tractor Wire Harness (Models with Ammeter & Manual PTO)
36	749-1087B	Dash Support Tube			
37	747-1184	Hood Plenum Support Rod			
38	731-2247A	Hood Plenum (B&S OHV V-Twin)			
	731-2248A	Hood Plenum (B&S Opposed Twin)			

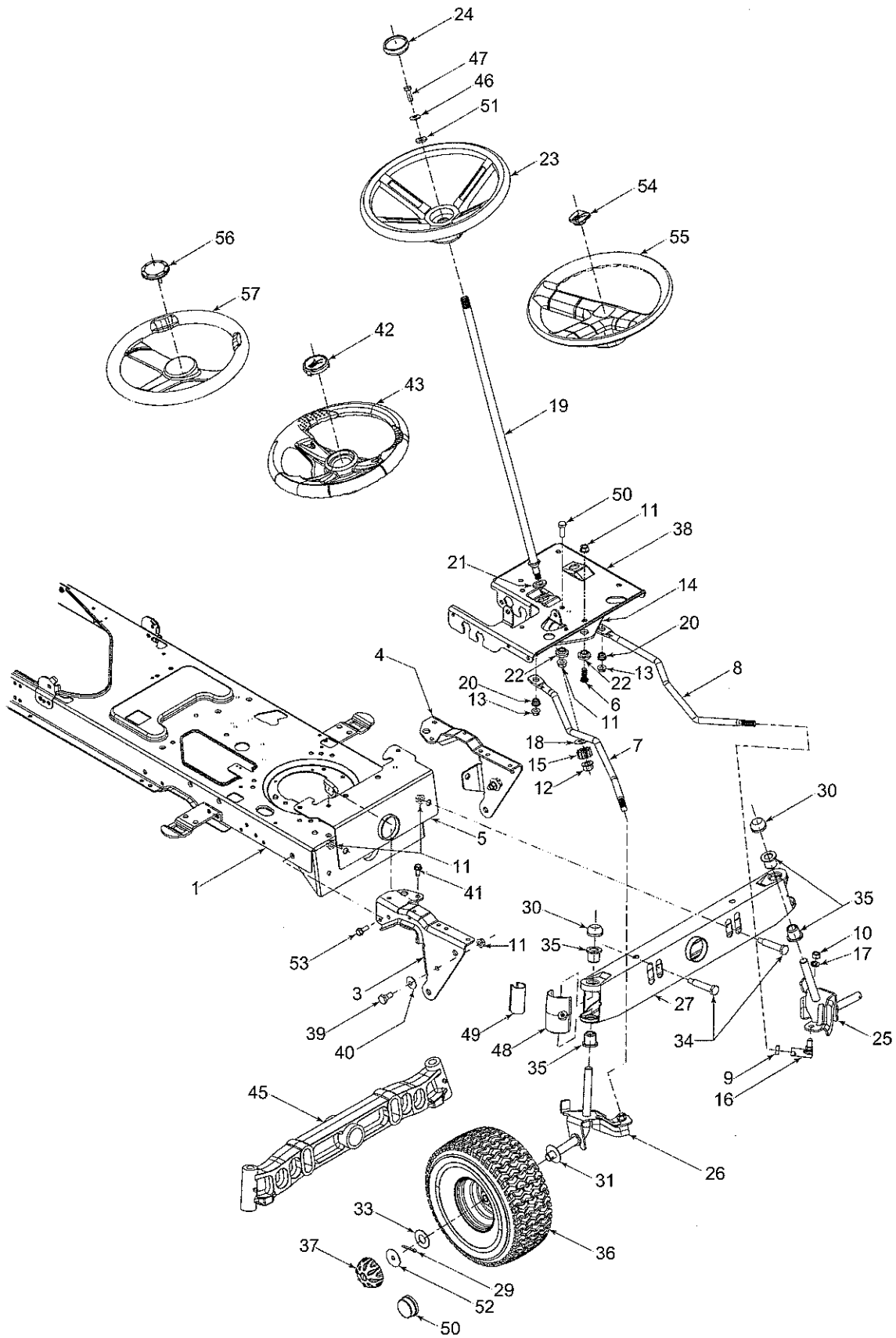
Models 607 & 608



Models 607 & 608

Ref. No.	Part No.	Description	Ref. No.	Part No.	Description
1	747-1130B	Deck Stabilizer Rod	35	783-1489	Seat Mounting Bracket
2	683-0197B	Lift Shaft Assembly	36	738-0296	Shoulder Screw
3	711-0332	Clevis Pin, .5 x .78	37	726-0201	Speed Clip
4	712-0206	Hex Nut, 1/2-13	38	783-0209A	Seat Lift Bracket
5	712-0431	Flange Lock Nut, 3/8-16	39	757-04001	Seat: Low Back
6	712-0429	Flange Lock Nut, 5/16-18		757-04002A	Seat: Medium Back
7	712-3083	Hex Nut, 1/2-13		757-04003	Seat: High Back
8	714-0104	Internal Cotter Pin	40	735-0672	Foot Pad RH, Rubber
9	714-0145	Internal Cotter Pin		723-0484	Foot Pad RH, Grit
10	716-0106	E-Ring	41	735-0673	Foot Pad LH, Rubber
11	720-0311	Handle Grip		735-0483	Foot Pad LH, Grit
12	732-0874	Torsion Spring	42	726-3046	Foot Pad Clips
13	732-1184	Extension Spring, 84 x 4 6	43	714-0111	Cotter Pin
14	736-0275	Flat Washer, 5/16	44	783-04081	Seat Pivot Bracket
15	736-0921	Lock Washer, 1/2	45	736-0204	Flat Washer, .344 x .62
16	736-3019	Flat Washer, .531 x 1.062 x .134	46	731-0511	Trim Strip
17	736-3084	Flat Washer, .51 x 1.12 x .06	47	731-1990	Lift Lever Cover
18	738-0138A	Hex Cap Screw, 5/16-18 x .62	48	731-2104B	Shift Lever Cover w/ Cup Holder
19	738-0143	Shoulder Screw, 3/8-16	49	710-0895	Self-Tapping Screw, 1/4-15 x .75
20	741-0225	Hex Flange Bearing	50	731-04591	Cup Holder
21	741-0715	Snap Flange Bearing	51	710-0599	TT Screw, 1/4-20 x 0.5
22	746-0968	Lift Cable, 16 16	52	731-04074	Spacer: Seat Adjustment
	746-1144	Lift Cable, 15 62	53	738-0137A	Shoulder Screw 1/4-20
23	747-1111A	Lift Handle	54	783-0738A	Seat Bracket
24	756-1154	Roller Pulley	55	736-3019	Flat Washer
25	783-0678A	Lift Arm	56	732-0499	Compression Spring
26	783-0720A	Deck Stabilizer Bracket	57	738-0966	Shoulder Screw 3/8-16
27	710-0260A	Carriage Bolt, 5/16 x .62	58	720-0309A	Grip: Seat Adjustment
28	710-0604A	Self-tapping Screw, 5/16-18 x .625	59	712-0324	Lock Nut 1/4-20
29	736-0331	Bell Washer, 390 x 1.13 x .062	60	783-0611	Seat Stop
30	720-04009	Knob, 3/8-16	61	710-1268	B Screw #10-16 x 0.375
31	738-04012	Shoulder Screw	62	783-0739	Seat Lever
32	736-3078	Flat Washer, 349 x 1.0 x .063	63	736-0275	Flat Washer
33	783-1010A	Lift Adjustment Bracket	64	783-0753	Seat Adjustment Selector
34	783-04314	Fender (Models w/Cup Holder)	65	738-0966	Shoulder Screw 3/8-16
	783-04333	Fender (Models w/o Cup Holder)	66	710-0870	Hex Washer Hd. Screw

Models 607 & 608



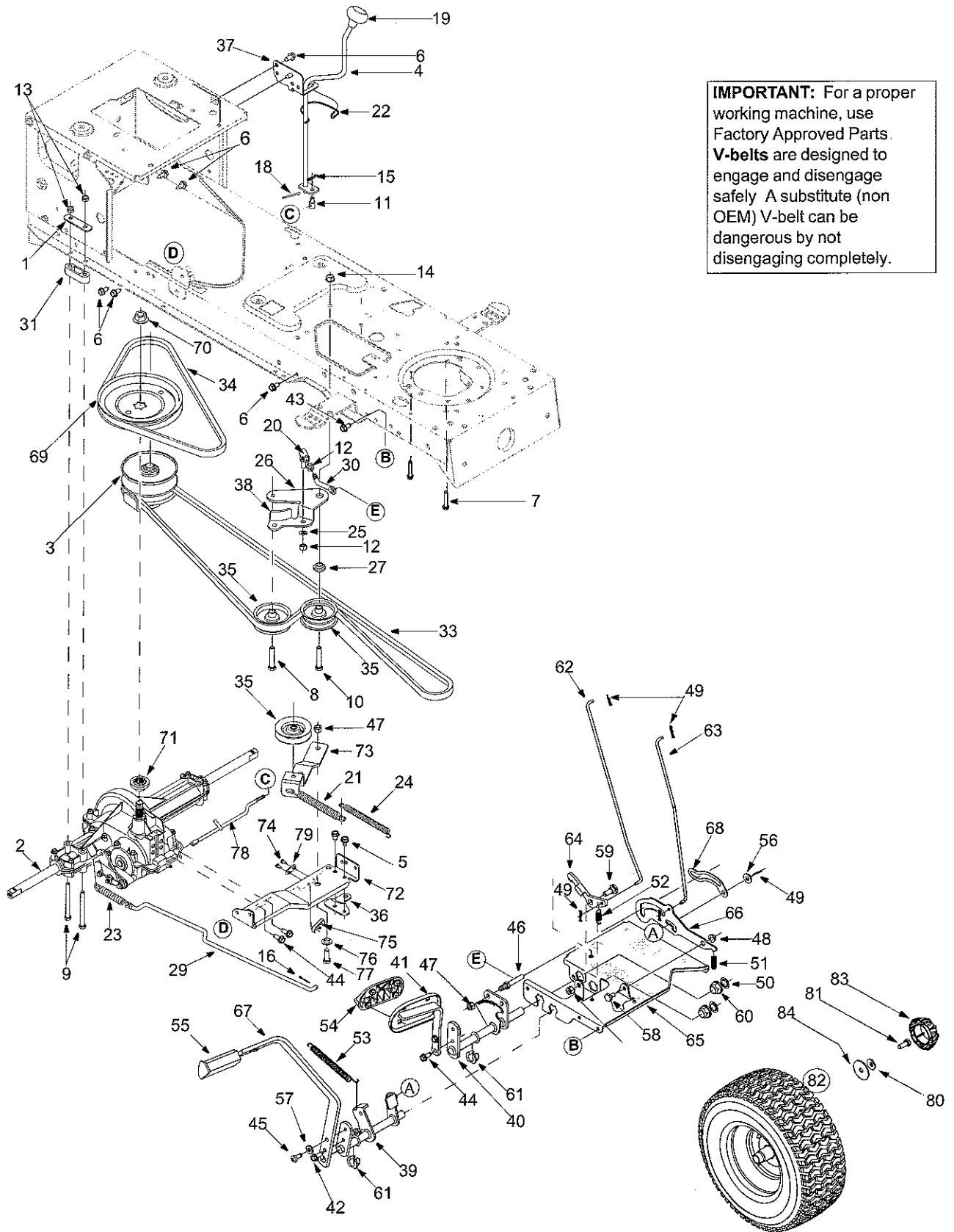
Models 607 & 608

Ref. No.	Part No.	Description	Ref. No.	Part No.	Description
2	710-0604A	Self-tapping Screw, 16-18 x .625	34	738-1011	Shoulder Screw, .5 x 2.2, 3/8-16
3	783-0726B	RH Pivot Support Bracket	35	741-0659	Flange Bearing, .632 ID x .937 OD†
4	783-0727A	LH Pivot Support Bracket		741-0660	Flange Bearing, .76 ID x .937 OD‡
5	783-0728	Pivot Bar Bracket	36	634-0105A	Wheel Assy., 15 x 6 x 6 Square
6	710-04095	Hex Cap Screw, 3/8-16 x 1.0		634-0056A	Wheel Assy., 15 x 6 x 6 Round
7	711-1408	RH Drag Link		634-0172	Rim Assembly Only
8	711-1409A	LH Drag Link		734-0255	Air Valve (Not Shown)
9	712-0240	Jam Nut, 7/16-20		734-1731	Tire Only, Square Shoulder
10	712-0241	Hex Nut, 3/8-24		734-0864	Tire Only, Round Shoulder
11	712-0431	Flange Lock Nut, 3/8-16	37	734-2290A	Deluxe Hub Cap (Ref 33 Required)
12	712-0459	Flange Lock Nut, 7/16-20	38	783-0653F	Steering Support Bracket
13	712-3004A	Flange Lock Nut, 5/16-18	39	738-0143	Shoulder Screw, 3/8-16
14	717-1550D	Steering Gear, 11/90 Ratio	40	736-0331	Bell Washer, .39 x 1.13 x .062
15	717-1554	Steering Pinion Gear	41	710-1260A	Self-tapping Screw, 5/16-18 x .75
16	723-0448A	Ball Joint, 7/16-20	42	731-04040	Deluxe Steering Wheel
17	736-0169	Lock Washer, 3/8	43	634-04008	Steering Wheel, Soft Grip
18	736-3084	Flat Washer, .51 x 1.12 x .06	44	731-0484A	Standard Hub Cap (Ref. 33 Not Necessary)
19	738-1001A	Steering Shaft, .625 OD x 24.4	45	719-0399B	Cast Iron Pivot Bar†
20	741-0475	Plastic Bushing, .38 ID		719-0525B	Cast Iron Pivot Bar‡
21	741-0656	Hex Flange Bearing, 5/8	46	736-0242	Bell Washer, .34 x .872
22	738-0372B	Shoulder Spacer, 38 ID	47	710-0643	Hex Bolt, 5/16-18 x 1.0
23	631-0027	Standard Steering Wheel, 13.25	48	731-1291A	Pivot Bar End Cap w/ Fitting
24	731-0220	Steering Wheel Cap, Round	49	731-1649	Pivot Bar End Cap w/o Fitting
25	638-0019A	LH Axle Assembly, .625 Diameter†	50	710-0514	Hex Screw, 3/8-16 x 1.0
	638-0021	LH Axle Assembly, .625/ .750 Diameter†‡	51	736-3004	Flat Washer, .406 x .875 x .105
26	638-0020A	RH Axle Assembly, .625 Diameter†	52	736-0430	Flat Washer, .35 x 1.59 x .062
	638-0022	RH Axle Assembly, .625/ .750 Dia ‡	53	710-1238	Screw, Hex Washer, 5/16-18 x .87
27	683-0128A	Steel Pivot Bar	54	731-1459A	Steering Wheel Cap
29	714-0470	Cotter Pin	55	731-1687	Steering Wheel
30	726-0214	Push Cap, .625†	56	731-2625	Steering Wheel Cap
	726-0341	Push Cap, .75‡	57	731-2624	Steering Wheel, Soft Grip
33	736-0285	Flat Washer, .635 x 1.589 x .06			

†Models equipped with a 42-inch deck.

‡Models equipped with a 46-inch deck

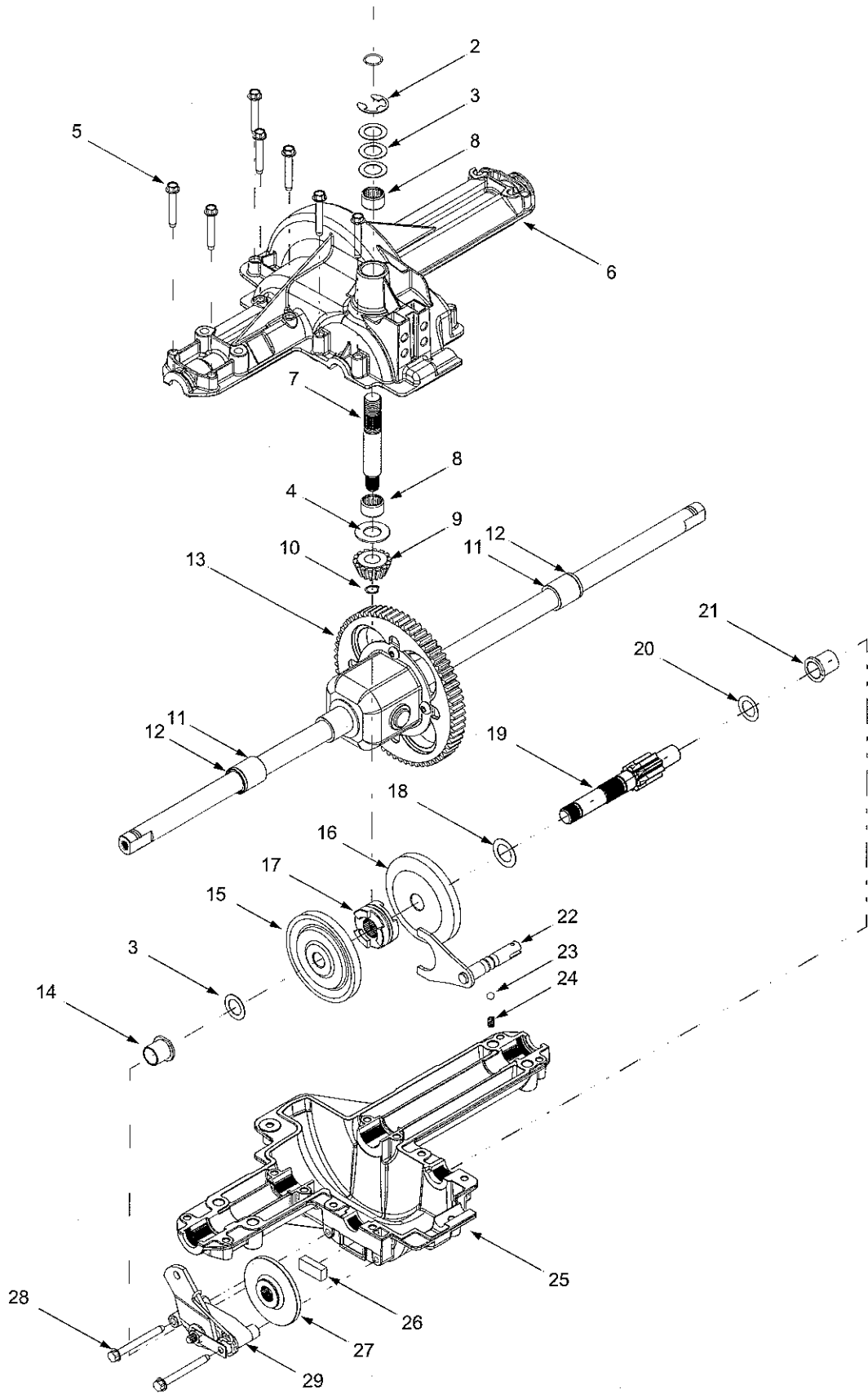
Models 607 & 608



Models 607 & 608

Ref. No.	Part No.	Description	Ref. No.	Part No.	Description
1	17840	Mounting Bracket	45	710-1611B	TT Screw 5/16-18 x 0.75
2	618-04133	Drive Assembly	46	711-04159	Pin
3	618-04147	Variable Spd Pulley Assembly	47	712-0130	Hex Lock Nut 3/8-16
4	647-04020	Shift Lever Assembly	48	712-3004A	Flange Lock Nut
5	710-0607	TT Screw 5/16-18 x 0.5	49	714-0104	Cotter Pin
6	710-0726	AB Screw 5/16-12 x 0.75	50	726-04028	Push Nut
7	710-0809	TT Screw 1/4-20 x 1.25	51	732-0335	Compression Spring
8	710-1007	TT Sems Screw 3/8-16 x 1.5	52	732-0955	Extension Spring (Models w/ cruise)
9	710-1266	Hex Bolt 5/16-18 x 3.5	53	732-0963	Extension Spring
10	710-3144	Hex Bolt 3/8-16 x 2.0	54	735-0662	Control Pad
11	711-0736	Ferrule	55	735-3049	Brake Pad
12	712-0241	Hex Nut 3/8-24	56	736-0262	Flat Washer
13	712-0429	Hex Lock Nut 5/16-18	57	736-3008	Flat Washer
14	712-0431	Flange Lock Nut 3/8-16	58	738-0155	Shoulder Screw
15	714-0104	Hairpin Clip	59	738-0380	Shoulder Screw (Models w/ cruise)
16	714-0111	Cotter Pin	60	741-0225	Hex Flange Bearing
17	714-0209	Hairpin Clip	61	741-3065B	Hex Flange Bearing: Split
18	714-0470	Cotter Pin	62	747-04093	Brake Lock Rod
19	720-04028	Shift Knob	63	747-04096	Cruise Control Rod (Models w/ cruise)
20	723-3018	Ball Joint	64	748-04039	Cruise Latch (Models w/ cruise)
21	732-0384	Extension Spring	65	783-0653F	Steering Support Bracket
22	732-0525	Spring Clip	66	783-0732	Lock-Out Bracket
23	732-0716	Extension Spring	67	783-0773A	Brake Pedal
24	732-0963	Extension Spring	68	783-0780B	Neutral Return Bracket
25	736-0169	Lock Washer 3/8	69	756-04002	Transmission Pulley
26	737-3007	Grease	70	712-0700	Flange Nut 9/16-18
27	738-0372B	Shoulder Spacer	71	718-0758A	Pulley Hub
28	747-04146	Shift Rod	72	683-04055	Transmission Torque Bracket
29	747-04164	Brake Rod	73	683-04130	Idler Bracket
30	747-1127	Idler Adj. Rod	74	710-0227	AB Screw #8-18 x 0.5
31	748-0334	Spacer: Transaxle	75	725-1644	Spring Switch
32	750-0566A	Spacer	76	750-0736	Shoulder Spacer
33	754-0467	V Belt	77	710-0514	Hex Bolt 3/8-16 x 1.0
34	754-0468	V Belt	78	747-04146	Shift Rod
35	756-0981A	Flat Idler Pulley	79	726-0320	Insulator Nut Plate
36	783-04283	Shift Bracket	80	736-0242	Bell Washer
37	783-04360	Shift Bracket	81	710-0627	Hex Cap Screw
38	783-04442	Double Idler Bracket: Center	82	634-0104	Wheel Assembly
39	647-0031C	Brake Control Assembly		634-0070	Rim Assembly
40	647-0032A	Speed Control Assembly		734-0255	Air Valve
41	683-0266	Drive Pedal Assembly		734-1730	Tire
42	710-0650	TT Screw 5/16-18 x 0.875	83	734-2290A	Hub Cap
43	710-0726	AB Screw 5/16-12 x 0.75	84	736-0430	Flat Washer
44	710-1260A	LD Screw 5/16-18 x 0.75			

Models 607 & 608



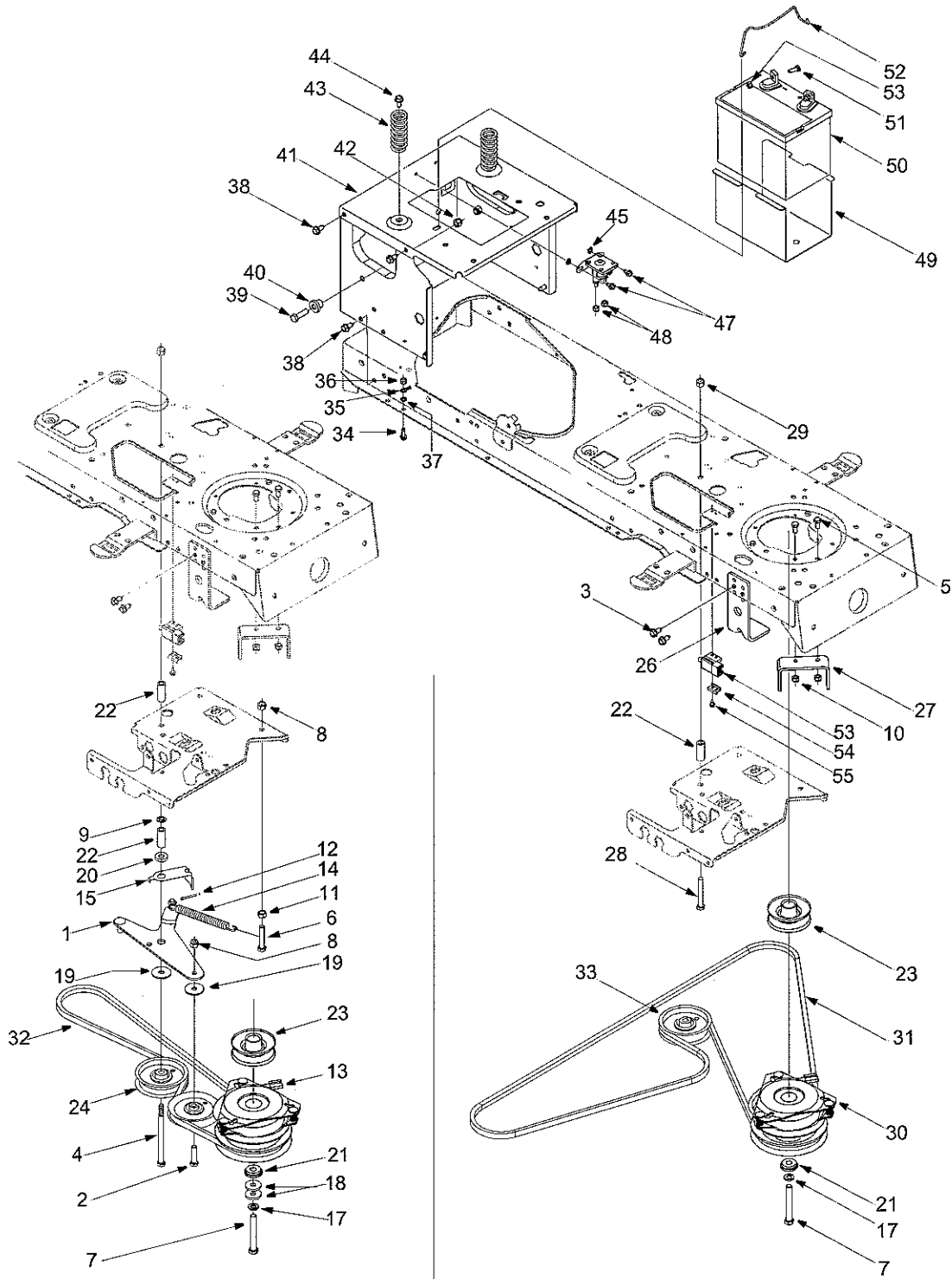
Models 607 & 608

Ref. No.	Part No.	Description
1	732-0614	Ring, Wire
2	716-0231	Ring, E Type, .750
3	736-0336	Flat Washer, 5/8 x 1.0 x .030*
	736-0337	Flat Washer, 5/8 x 1.0 x .040*
	736-0349	Flat Washer, 5/8 x 1.0 x .020*
4	736-0335	Washer, Thrust 635 x 1.26 x .06
5	710-1325	Self-tapping Screw, 1/4-20 x 1.625
6	719-04017	Upper Housing
7	711-1109	Input Shaft
8	741-0335	Needle Bearing, 625 x 813 x .495
9	717-1464	14-tooth Bevel Pinion
10	716-0108	Retaining Ring, .437
11	741-0340	Sleeve Bearing, .75 x 1.0 x 1.0
12	721-0338	Seal, 75 x 1.0 x .125
13	618-04041	Differential Assembly
14	741-0336	Flange Bearing, 5/8 x 3/4 x 3/4
15	717-1362	42-tooth Bevel Gear
16	717-1363	42-tooth Bevel Gear
17	718-0228	Clutch Collar
18	736-0519	Flat Washer, 70 x 1.125 x .031
19	711-04053	Drive Shaft
20	736-0495	Thrust Washer, 1.0 x .632 x 0
21	741-0337	Flange Bearing, 5/8 x 3/4 x 15/16
22	611-0011	Detent Shaft Assembly
23	741-0862	Detent Ball
24	732-0863	Compression Spring
25	719-04018	Lower Housing
26	717-0678	Brake Puck
27	761-0202	Brake Disc
28	710-1206	Self-tapping Screw, 1/4-20 x 2.375
29	661-0001	Brake Assembly
—	737-0148	Grease (19 oz.)

*Use applicable flat washer (12a, 12b or 12c) in this application allowing .0150/ .0020 in end-play

NOTE: If rebuilding the upper housing of the transmission, add two ounces of Unirex® N3 grease (Part No. 737-0289) in the input shaft cavity.

Models 607 & 608 (equipped with Electric PTO)



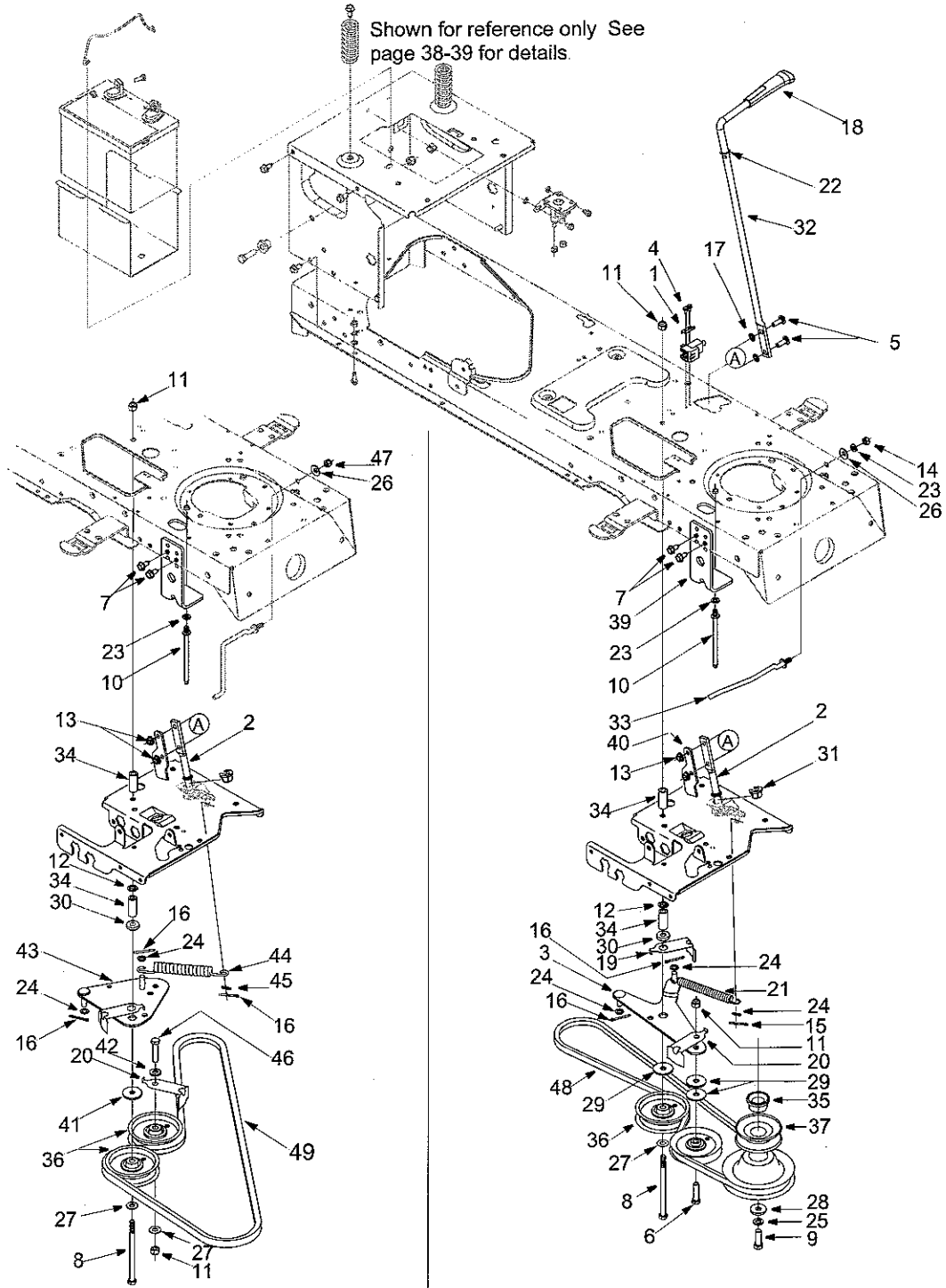
Models with 42-inch Deck

Models with 46/50-inch Deck

Models 607 & 608: Electric PTO

Ref. No.	Part No.	Description	Ref. No.	Part No.	Description
1	683-0450	Engagement Plate	27	783-1003	Clutch Bracket
2	710-0520	Hex Bolt 3/8-16 x 1.5	28	710-0859	Hex Bolt 3/8-16 x 2.5
3	710-0726	AB Screw 5/16-12 x 0.75	29	712-0130	Lock Nut
4	710-0831	Hex Bolt 3/8-16 x 5.5	30	717-04080	PTO Clutch
5	710-3025	Hex Bolt 5/16-18 x 0.625	31	754-04033	V Belt
6	710-3144	Hex Bolt 3/8-16 x 2.0	32	754-0497	V Belt
7	710-3157	Hex Bolt 7/16-20 x 3.25	33	756-1229	Pulley
8	712-0130	Lock Nut 3/8-16	34	710-0642	TT Screw 1/4-20 x 0.75
9	712-0229	Push Nut	35	—	Ground Wire (for reference only)
10	712-0429	Hex Lock Nut 5/16-18	36	712-0324	Hex Lock Nut 1/4-20
11	712-3017	Hex Nut 3/8-16	37	738-0143	Shoulder Screw 3/8-16
12	714-0470	Cotter Pin	38	710-0726	AB Screw 5/16-12
13	717-1708	PTO Clutch	39	710-3005	Hex Bolt 3/8-16 x 1.25
14	732-0384	Extension Spring	40	738-04058	Shoulder Spacer
15	732-0991A	Belt Guard	41	783-04329	Seat Bracket
16	736-0140	Flat Washer	42	712-0130	Lock Nut 3/8-16
17	736-0171	Lock Washer	43	732-04035	Compression Spring
18	736-0322	Flat Washer	44	710-0726	AB Screw 5/16-12 x 0.75
19	736-3039	Flat Washer	45	736-0222	Lock Washer
20	738-0372B	Shoulder Spacer	47	710-0599	TT Screw 1/4-20 x 0.5
21	738-0785	Shoulder Spacer	48	712-0324	Lock Nut 1/4-20
22	748-0415B	Spacer	49	783-0349	Battery Tray
23	756-0407B	Engine Pulley	50	725-1706A	Battery
24	756-0627B	Idler Pulley	51	710-0703	Carriage Screw
25	756-1208	Idler Pulley	52	747-04121A	Battery Hold-Down rod
26	783-04467	Deck Stop Bracket	53	712-0271	Sems Nut

Models 607 & 608: Manual PTO



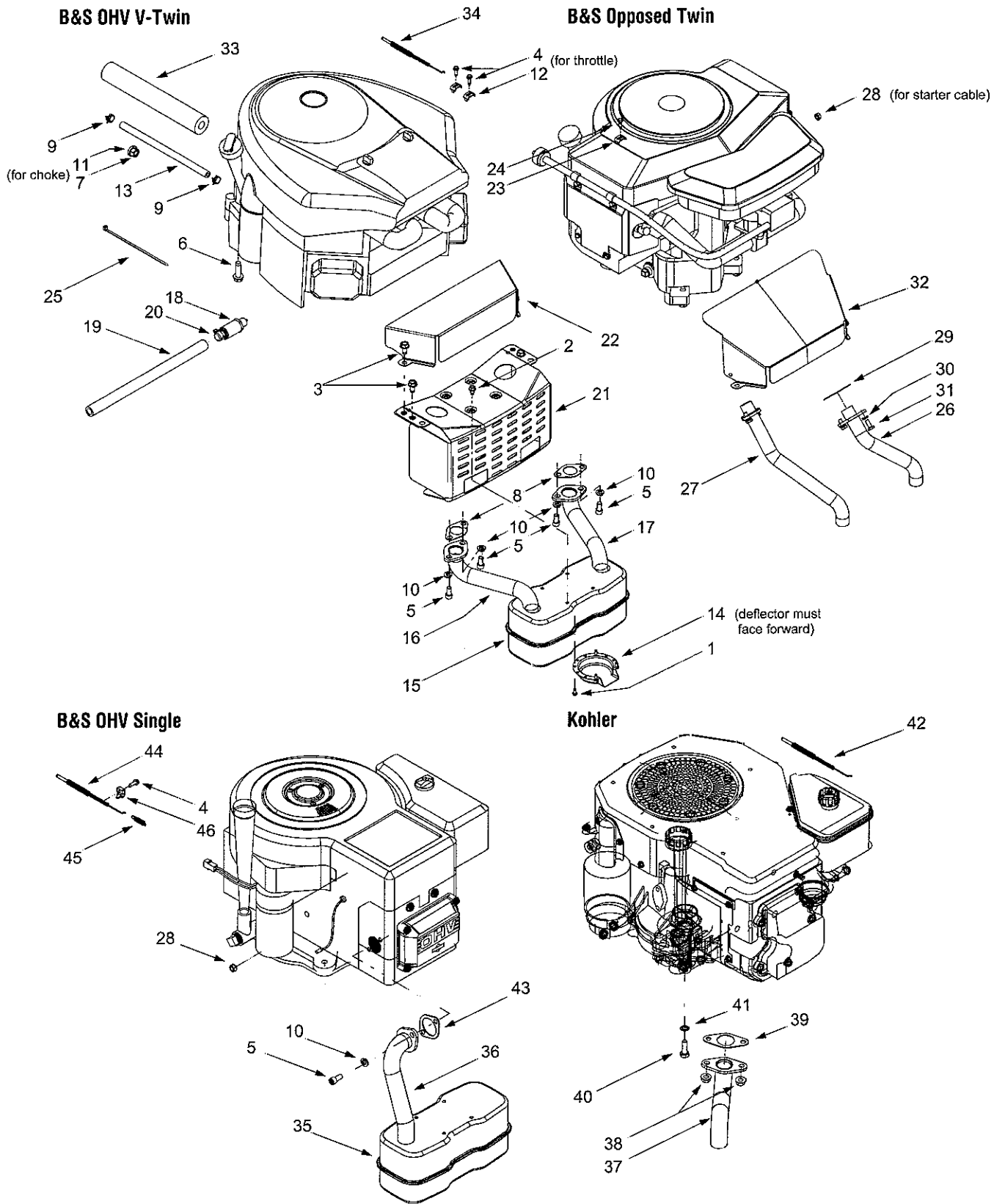
Models with 46/50-inch Deck

Models with 42-inch Deck

Models 607 & 608: Manual PTO

Ref. No.	Part No.	Description	Ref. No.	Part No.	Description
1	17962	Switch Plate	26	736-0242	Bell Washer
2	647-0064	Lever Assembly: PTO Engage	27	736-0300	Flat Washer
3	683-0450	Plate Assembly: PTO Engage	28	736-0322	Flat Washer
4	710-0224	AB Screw #10-16 x 0.5	29	736-3039	Flat Washer
5	710-0276	Carriage Screw: Special	30	736-0372B	Spacer
6	710-0520	Hex Bolt 3/8-16 x 1.5	31	741-0708	Hex Split Flange Bearing
7	710-0726	AB Screw 5/16-12 x 0.75	32	747-1112D	Handle: Deck Engage
8	710-0831	Hex Bolt 3/8-16 x 5.5	33	747-1286A	Rod: Belt Keeper
9	710-3029	Hex Bolt 7/16-20 x 1.25	34	748-0415B	Spacer
10	711-1044	Belt Guard Pin	35	750-0956	Spacer
11	712-0130	Lock Nut	36	756-0627B	Idler Pulley
12	712-0229	Push Nut	37	756-0982B	Engine Pulley
13	712-3004A	Flange Lock Nut	38	756-1208	Idler Pulley
14	712-3010	Hex Nut 5/16-18	39	783-04467	Bracket: Deck Stop
15	714-0104	Cotter Pin	40	783-0744A	Bracket: Stop
16	714-0470	Cotter Pin	41	738-0227	Flat Washer
17	726-0201	Speed Nut	42	736-3010	Flat Washer
18	731-2111A	PTO Knob	43	683-0302	Engagement Plate Assembly
19	732-0991A	Belt Guard	44	732-0944	Extension Spring
20	732-1013	Belt Guard	45	736-0275	Flat Washer
21	732-1170	Extension Spring	46	710-0347	Hex Bolt 3/8-16 x 1.75
22	736-0108	Flat Washer	47	712-0429	Hex Lock Nut 5/16-18
23	736-0119	Lock Washer	48	754-0497	V Belt
24	736-0140	Flat Washer	49	754-0349	V Belt
25	736-0171	Lock Washer	50		

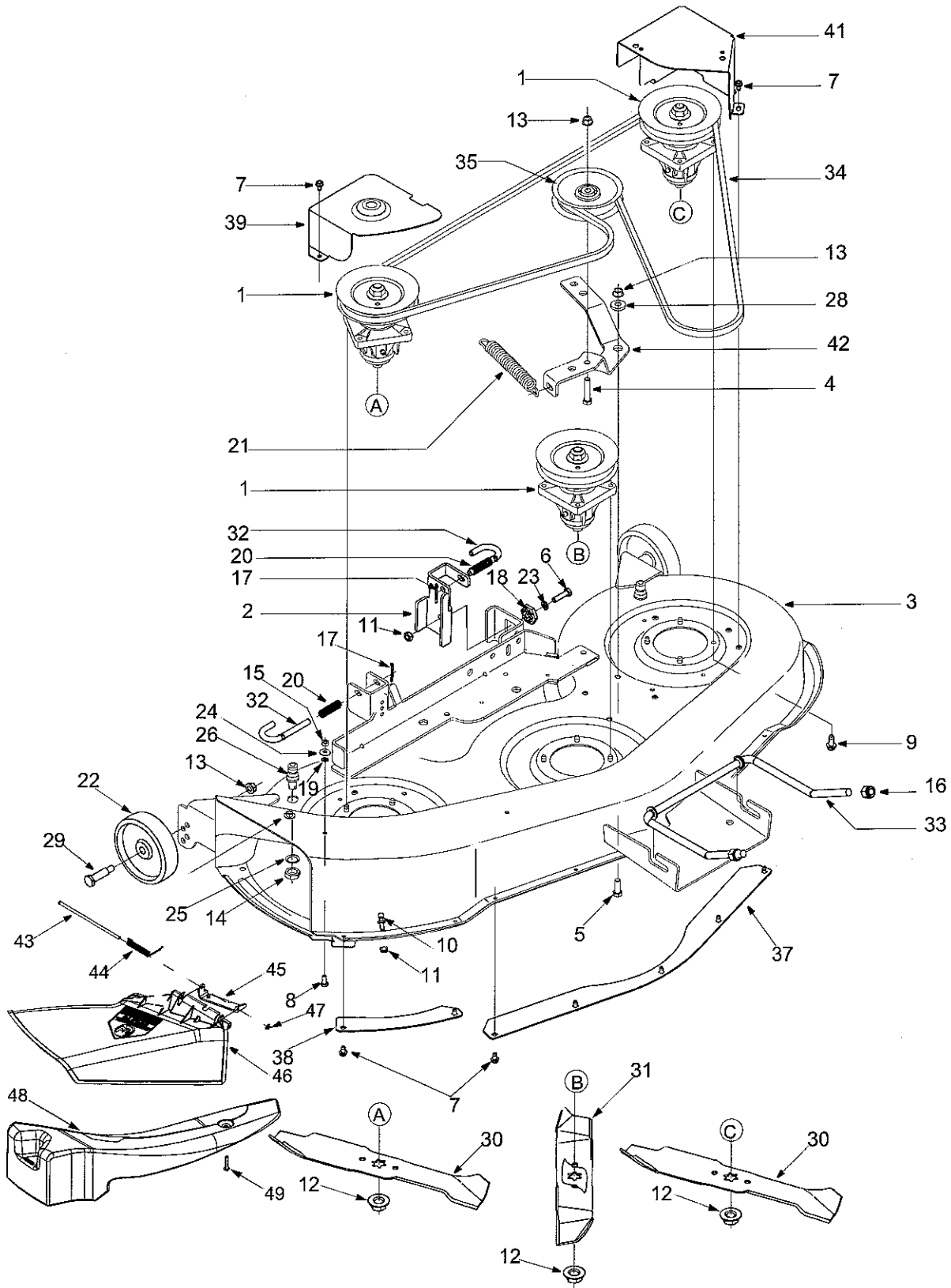
Models 607 & 608



Models 607 & 608

REF. NO.	PART NO.	DESCRIPTION
1	710-0227	Self-tapping Screw, #8-18 x .50
2	710-0599	Self-tapping Screw, 1/4-20 x .50
3	710-0604A	Self-tapping Screw, 5/16-18 x .625
4	710-1237	Screw, #10-32 x .625 (B&S OHV V-Twin)
5	710-1314A	Socket Cap Screw, 5/16-18 x .625
6	710-1315	Self-tapping Screw, 3/8-16 x 1.25
7	712-3017	Hex Nut, 3/8-16
8	721-0460	Exhaust Gasket (B&S OHV V-Twin)
9	726-0205	Hose Clamp
10	736-0119	Lock Washer, 5/16
11	736-0300	Lock Washer, .406 x .875 x .059
12	751B221535	Casing Clamp (B&S OHV V-Twin)
13	751-0535	Fuel Line Hose
14	751-0564	Muffler Deflector
15	751-0616	Muffler, Twin Inlet (B&S Opposed Twin & OHV V-Twin)
16	751-0650	RH Exhaust Pipe (B&S OHV V-Twin)
17	751-0651	LH Exhaust Pipe (B&S OHV V-Twin)
18	751-3140	Oil Drain Valve
19	751-3141	Oil Drain Hose
20	751-3142	Oil Drain Cap
21	783-0615B	Muffler Heat Shield
22	783-0625C	Engine Heat Shield (B&S OHV V-Twin)
23	726-0272	Clamp, 9/16 (B&S Opposed Twin)
24	712-0779A	Screw, #10-16 x .5 (B&S Opposed Twin)
25	725-0157	Cable Tie
26	751-0623	LH Exhaust Pipe (B&S Opposed Twin)
27	751-0624	RH Exhaust Pipe (B&S Opposed Twin)
28	712-0271	Hex Sems Nut, 1/4-20 (B&S Opposed Twin & OHV Single)
29	721-0346	Exhaust Gasket (B&S Opposed Twin)
30	736-0329	Lock Washer, 1/4 (B&S Opposed Twin)
31	710-3015	Hex Screw, 1/4-20 x .750 (B&S Opposed Twin)
32	783-0357B	Heat Shield (B&S Opposed Twin)
33	722-0263	Foam, .625 x 1.5 x 10 (fits over fuel line)
34	746-1086	Throttle Cable (B&S Opposed Twin & OHV V-Twin)
35	751-0617	Muffler, Single Inlet (B&S OHV Single & Kohler)
36	751-0619	Exhaust Pipe (B&S OHV Single)
37	751-0621	Exhaust Pipe (Kohler)
38	712-3086	Flange Nut, 8mm (Kohler)
39	721-0375	Exhaust Gasket (Kohler)
40	710-3206A	Hex Cap Screw, 8mm (Kohler)
41	736-0607	External Lock Washer (Kohler)
42	746-1087	Throttle Cable (Kohler)
43	721-0208	Exhaust Gasket (B&S OHV Single)
44	746-1084	Throttle Cable (B&S OHV Single)
45	732-0966	Extension Spring, .275 x 1.25 (B&S OHV Single)
46	751B213146	Casing Clamp (B&S OHV Single)

Deck: 46-inch



Deck: 46-inch

Ref. No.	Part No.	Description	Ref. No.	Part No.	Description
1	618-04137	Pulley-Spindle Assembly	26	737-04003B	Nozzle (if equipped)
2	683-0254	Deck Hanger Bracket Assembly	27	737-3007	Grease
3	683-04104	Deck Assembly	28	738-0372B	Shoulder Spacer
4	710-0347	Hex Bolt 3/8-16 x 1 75	29	738-0373	Shoulder Screw 3/8-16 x 1 5
5	710-0514	Hex Bolt 3/8-16 x 1 0	30	742-0611A	Blade 16.28 Lg : Three-in-One
6	710-0528	Hex Bolt 5/16-18 x 1 25	31	742-0612A	Blade 14.88 Lg : Three-in-One
7	710-0599	TT Screw 1/4-20 x 0.5	32	747-1116	Deck Release Handle
8	710-0751	Hex Bolt 1/4-20 x 0.620	33	747-1130B	Deck Rod: Front Adjustment
9	710-1260A	LD Screw 5/16-18 x 0 75	34	754-04033	V Belt
10	711-04069	Grasscatcher Pin	35	756-1229	Idler Pulley
11	712-0324	Lock Nut 1/4-20	36	771-11725A	Danger Tag (not shown)
12	712-0417A	Flange Nut	37	783-0141	Deck Skirt: Center
13	712-0431	Flanged Lock Nut 3/8-16	38	783-0142	Deck Skirt RH
14	712-0641	Hex Nut M16	39	783-0805C	Belt Cover
15	712-3006	Hex Nut	40	783-1025	Chute Stop (not shown)
16	712-3083	Hex Lock Nut 1/2-13	41	783-1348A	Belt Cover
17	714-0111	Cotter Pin	42	783-1421	Idler Bracket
18	717-04074	Gear: Deck Adjustment	43	711-0792	Hinge Pin
19	726-0233	Push Nut	44	732-0602A	Compression Spring
20	732-0306A	Compression Spring	45	703-1693A	Mounting Bracket
21	732-0594A	Extension Spring	46	731-1031C	Deflector: Discharge Chute
22	734-0973	Deck Wheel	47	726-0106	Speed Nut
23	736-0119	Lock Washer	48	731-1636	Mulch Plug
24	736-0270	Bell Washer	49	710-0578	Screw 1/4-20 x 1 5
25	736-0760	Lock Washer			