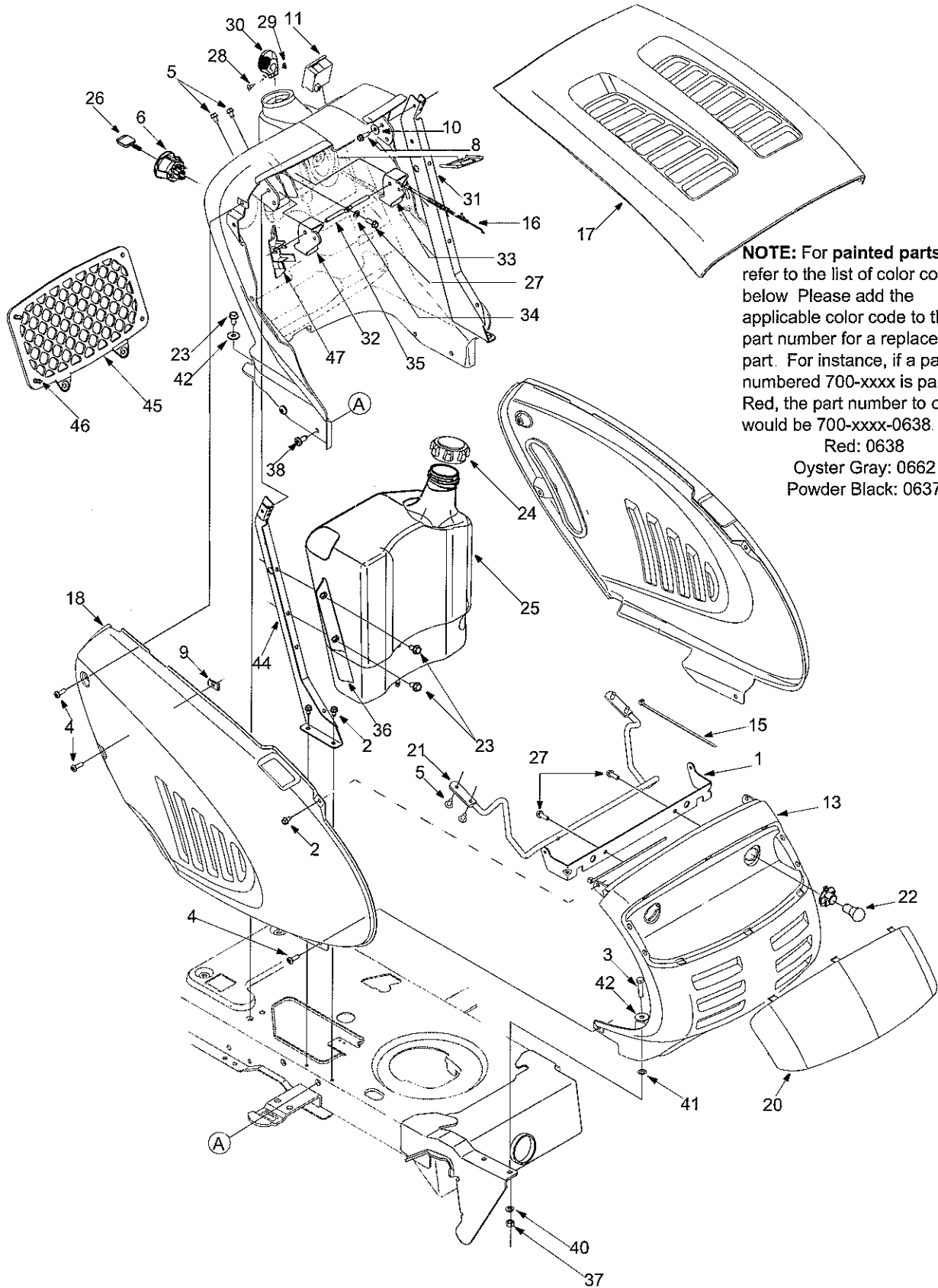


# SECTION 10: PARTS LIST FOR MODELS J609 & T609



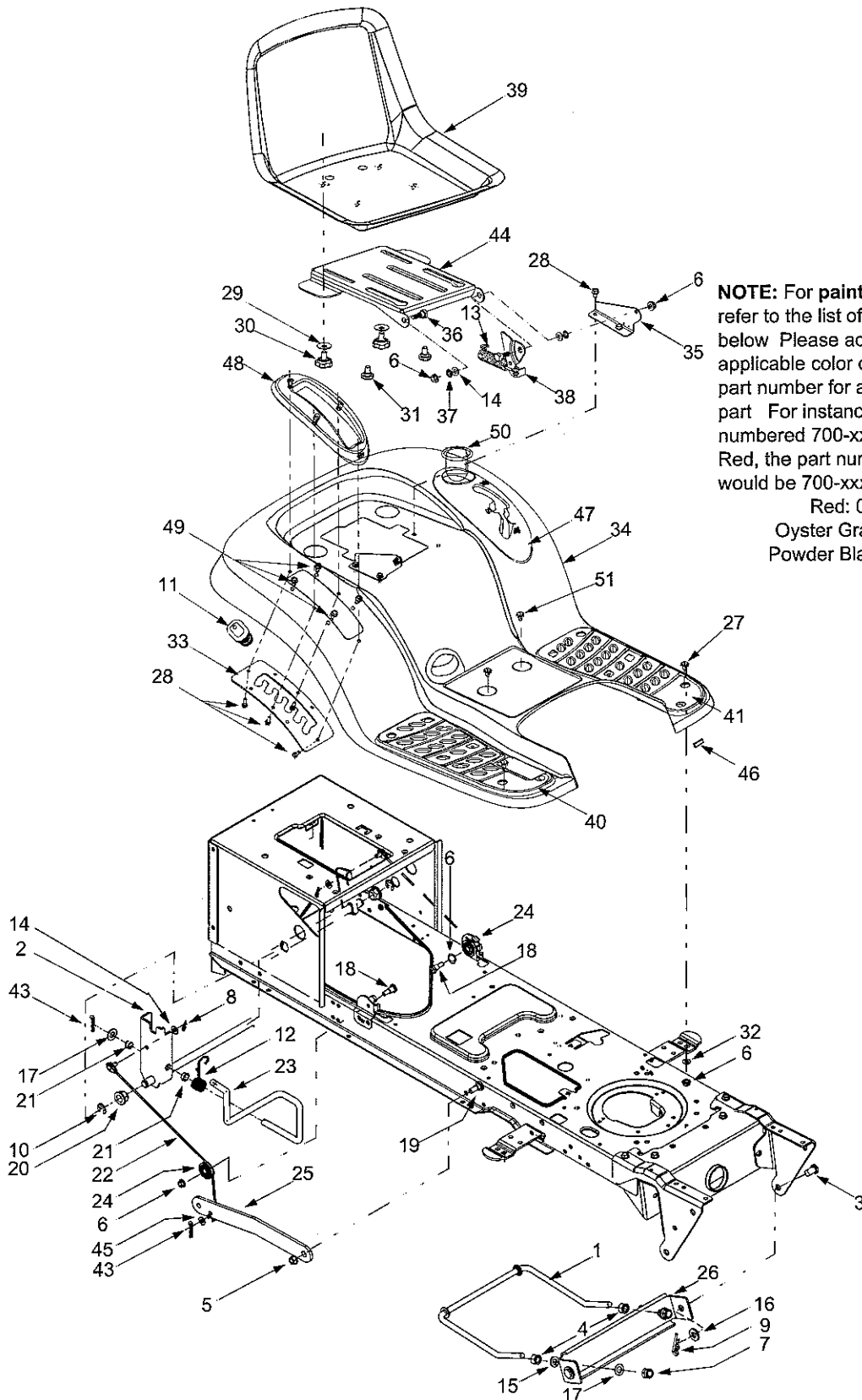
**NOTE:** For painted parts, refer to the list of color codes below. Please add the applicable color code to the part number for a replacement part. For instance, if a part numbered 700-xxxx is painted Red, the part number to order would be 700-xxxx-0638.

Red: 0638  
 Oyster Gray: 0662  
 Powder Black: 0637

# Models J609 & T609

Ref. No.	Part No.	Description	Ref. No.	Part No.	Description
1	783-1346	Grill Support Bracket (9-style)	27	710-0895	Self-tapping Screw, 1/4-15 x .75
2	710-0599	Self-tapping Screw, 1/4-20 x .5	28	710-3217	Truss Phillips Screw, #8-32 x .375
3	710-0528	Hex Cap Screw, 5/16-18 x 1.25	29	712-0142	Hex Nut, #8-32
4	710-0924	Phillips Pan Screw, 1/4-20 x .75	30	731-1857	Throttle Control Knob
5	710-1017	Truss Phillips Screw, 1/4-20 x .625	31	731-2122C	Dash Panel
6	725-1741	Ignition Switch	32	731-04217	Cruise Control Button
7	735-04019	Side Panel Seal	33	731-04215	Parking Brake Button
8	710-0642	Self-tapping Screw, 1/4-20 x .75	34	736-0142	Flat Washer, 9/32 x 1/2 x 1/16
9	712-0292	U-type Speed Nut, 1/4-20	35	747-1196	Brake/Cruise Pivot Rod
10	736-0270	Bell Washer, .265 x .75 x .062	36	783-04285	Dash Support Plate RH
11	725-04036	Systems Indicator Monitor		783-04323	Dash Support Plate LH
12	712-3004A	Hex Nut, 5/16-18	37	712-3010	Hex Nut, 5/16-18
13	731-2119A	Grille (9-style)	38	710-1611B	Self-tapping Screw, 5/16-18 x .75
15	725-0157	Cable Tie, 3/16 x .05 x 7.4	39	726-3046	Ratchet Clip
16	746-1085	Choke Knob/Cable (Model LTX-2146)	40	736-0119	Lock Washer, 5/16
17	783-0783	Hood (9-style)	41	726-0201	Speed Nut, 3125
18	783-0784	RH Side Panel (9-style)	42	736-3078	Flat Washer, 349 x 1.0 x .063
19	783-04200	LH Side Panel (9-style)	43	710-1238	Screw, 5/16-18 x .875 (Grade 5)
20	731-2637	Headlight Lens (9-style)	44	747-04158	Fuel Tank Support RH
21	747-2138	Hood Hinge Rod		747-04161	Fuel tank Support LH
22	625-0051	Headlight Assembly	45	735-04023	Cargo Net
23	710-0726	Self-tapping Screw, 5/16-12 x .75	46	726-04029	Clip: Cargo Net
24	751-0603	Fuel Cap	47	731-2228	Cover: Cruise Control
25	751-0658D	Fuel Tank, Three-Gallon	—	629-0469A	Headlight Wire Harness (Not Shown)
26	725-1745	Ignition Key w/ plastic cover	—	629-04050	Tractor Wire Harness (Not Shown)
	725-1744	Ignition Key w/o plastic cover			

# Models J609 & T609



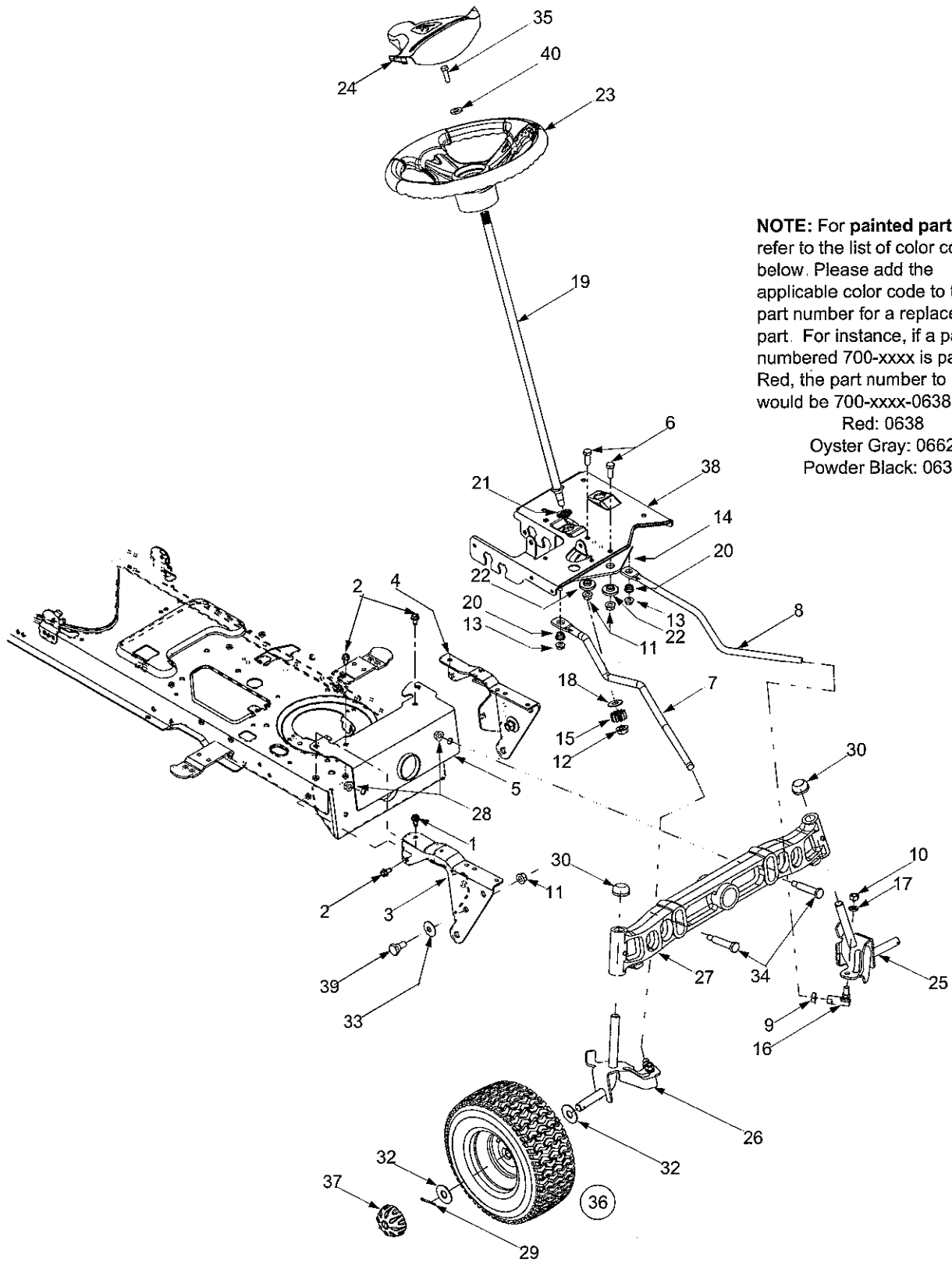
**NOTE:** For painted parts, refer to the list of color codes below. Please add the applicable color code to the part number for a replacement part. For instance, if a part numbered 700-xxxx is painted Red, the part number to order would be 700-xxxx-0638.

Red: 0638  
 Oyster Gray: 0662  
 Powder Black: 0637

# Models J609 & T609

Ref. No.	Part No.	Description	Ref. No.	Part No.	Description
1	747-1130B	Deck Stabilizer Rod	26	783-0720A	Deck Stabilizer Bracket
2	683-0197B	Lift Shaft Assembly	27	710-0260A	Carriage Bolt, 5/16 x .62
3	711-0332	Clevis Pin, .5 x .78	28	710-0604A	Self-tapping Screw, 5/16-18 x .625
4	712-0206	Hex Nut, 1/2-13	29	736-0331	Bell Washer, .390 x 1.13 x .062
5	712-0431	Flange Lock Nut, 3/8-16	30	720-04009	Knob, 3/8-16
6	712-0429	Flange Lock Nut, 5/16-18	31	738-04012	Shoulder Screw
7	712-3083	Hex Nut, 1/2-13	32	736-3078	Flat Washer, .349 x 1.0 x .063
8	714-0104	Internal Cotter Pin	33	783-1010A	Lift Adjustment Bracket
9	714-0145	Internal Cotter Pin	34	783-04314	Fender
10	716-0106	E-Ring	35	783-1489	Seat Mounting Bracket
11	720-0311	Handle Grip	36	738-0296	Shoulder Screw
12	732-0874	Torsion Spring	37	726-0201	Speed Clip
13	732-1184	Extension Spring, .84 x 4.6	38	783-0209A	Seat Lift Bracket
14	736-0275	Flat Washer, 5/16	39	757-04001	Seat: Low Back
15	736-0921	Lock Washer, 1/2	40	735-0672	RH Foot Pad, Rubber
16	736-3019	Flat Washer, 5/16 x 1.062 x .134	41	735-0673	LH Foot Pad, Rubber
17	736-3084	Flat Washer, .51 x 1.12 x .06	42	726-3046	Foot Pad Clips
18	738-0138A	Hex Cap Screw, 5/16-18 x .62	43	714-0111	Cotter Pin
19	738-0143	Shoulder Screw, 3/8-16	44	783-04081	Seat Pivot Bracket
20	741-0225	Hex Flange Bearing	45	736-0204	Flat Washer, .344 x .62
21	741-0715	Snap Flange Bearing	46	731-0511	Trim Strip
22	746-0968	Lift Cable, 16.16 (LTX-1842)	47	731-1990	Lift Lever Cover
	746-1144	Lift Cable, 15.62 (LTX-2146)	48	731-2104B	Shift Lever Cover w/ Cup Holder
23	747-1111A	Lift Handle	49	710-0895	Self-Tapping Screw, 1/4-15 x .75
24	756-1154	Roller Pulley	50	731-04591	Cup Holder
25	783-0678A	Lift Arm	51	710-0599	TT Screw, 1/4-20 x 0.5

# Models J609 & T609



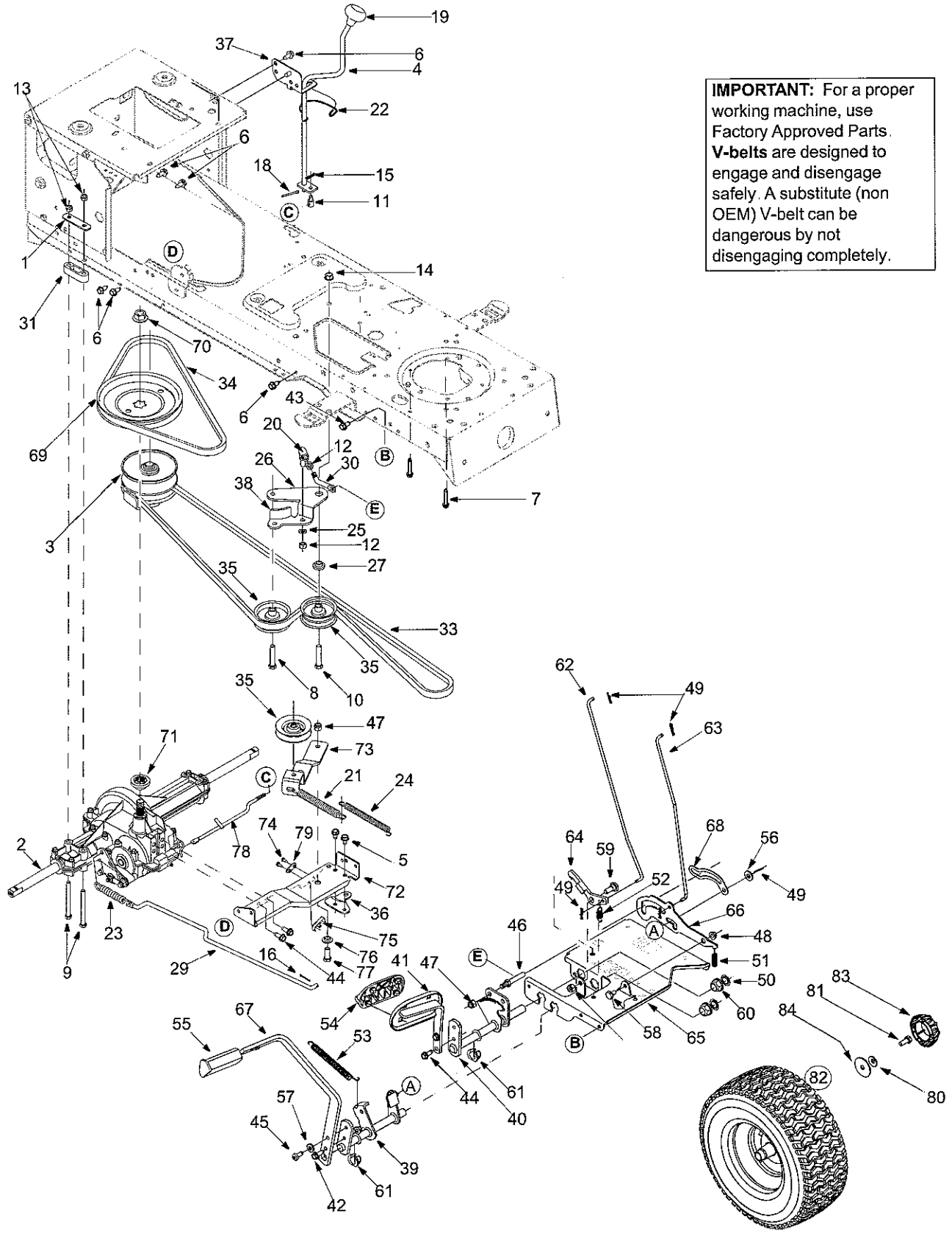
**NOTE:** For painted parts, refer to the list of color codes below. Please add the applicable color code to the part number for a replacement part. For instance, if a part numbered 700-xxxx is painted Red, the part number to order would be 700-xxxx-0638.

- Red: 0638
- Oyster Gray: 0662
- Powder Black: 0637

## Models J609 & T609

Ref. No.	Part No.	Description	Ref. No.	Part No.	Description
1	710-1260A	Self-tapping Screw, 5/16-18 x .75	25	638-0019A	LH Axle Assembly, (Model LTX-1842)
2	710-0604A	Self-tapping Screw, 16-18 x .625		638-0021	LH Axle Assembly (Model LTX-2146)
3	783-0726B	RH Pivot Support Bracket	26	638-0020A	RH Axle Assembly (Model LTX-1842)
4	783-0727A	LH Pivot Support Bracket		638-0022	RH Axle Assembly (Model LTX-2146)
5	783-0728	Pivot Bar Bracket	27	719-0399B	Pivot Bar w/ Fittings (Model LTX-1842)
6	710-0514	Hex Cap Screw, 3/8-16 x 1 (Grade 5)		719-0525B	Pivot Bar w/ Fittings (Model LTX-2146)
7	711-1408	RH Drag Link	28	712-0431	Flange Lock Nut, 3/8-16
8	711-1409A	LH Drag Link	29	714-0162	Cotter Pin
9	712-0240	Jam Nut, 7/16-20 (Grade 2)	30	726-0214	Push Cap, .625 (Model LTX-1842)
10	712-0214	Hex Nut		726-0341	Push Cap, .750 (Model LTX-2146)
11	712-0130	Flange Lock Nut, 3/8-24	32	736-0430	Flat Washer
12	712-0459	Flange Lock Nut, 7/16-20	33	736-0331	Bell Washer, 39 x 1.13 x .062
13	712-0429	Flange Lock Nut, 5/16-18	34	738-1011	Shoulder Screw, .5 x 2.2, 3/8-16
14	717-1550D	Steering Gear, 11/90 Ratio	35	710-0643	Hex Bolt, 5/16-18 X 1
15	717-1554	Steering Pinion Gear	36	634-04086	Wheel Assembly Complete, 15 x 6 x 6
16	723-0448A	Ball Joint, 7/16-20	—	634-04081	Rim Only
17	736-0169	Lock Washer, 3/8	—	734-0255	Air Valve (Not Shown)
18	736-3084	Flat Washer, .51 x 1.12 x .06	—	734-1731	Tire Only, Square Shoulder
19	738-1001A	Steering Shaft, .625 OD x 24.4	—	741-0516A	Flange Bearing (Not Shown)
20	741-0475	Plastic Bushing, .38 ID	—	741-0990A	Flange Bearing (Not Shown)
21	741-0656	Hex Flange Bearing, 5/8	37	734-2290A	Hub Cap
22	738-0372B	Shoulder Spacer, .38 ID	38	783-0653F	Steering Support Bracket
23	631-04008	Steering Wheel, Soft Grip, Three Spoke	39	738-0143	Shoulder Screw, 3/8-16
24	731-04681	Steering Wheel Cover	40	736-3004	Flat Washer, .406 x .875 x .105

# Models J609 & T609



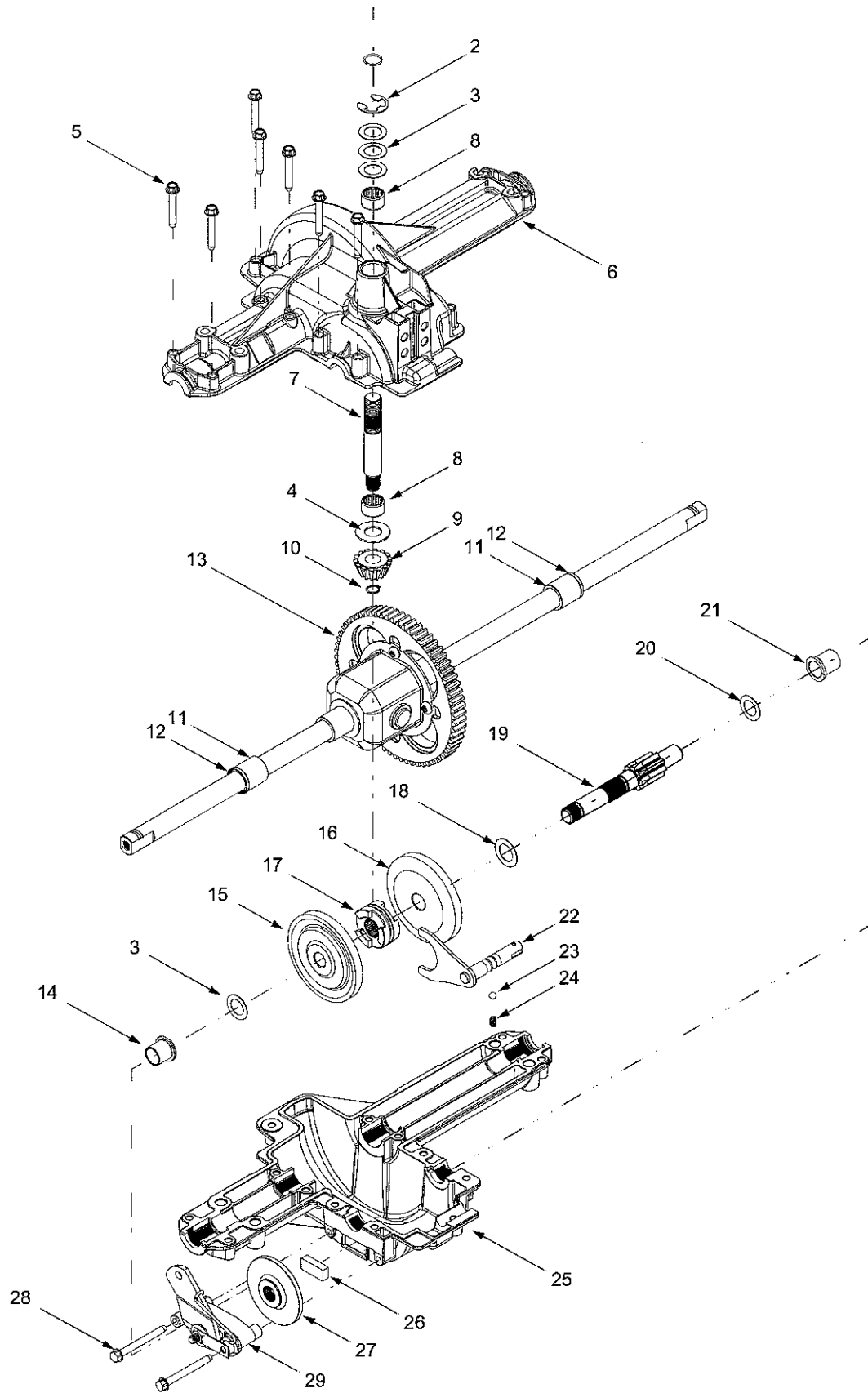
**IMPORTANT:** For a proper working machine, use Factory Approved Parts. V-belts are designed to engage and disengage safely. A substitute (non OEM) V-belt can be dangerous by not disengaging completely.

# Models J609 & T609

Ref. No.	Part No.	Description	Ref. No.	Part No.	Description
1	17840	Mounting Bracket	45	710-1611B	TT Screw 5/16-18 x 0 75
2	618-04133	Drive Assembly	46	711-04159	Pin
3	618-04147	Variable Spd. Pulley Assembly	47	712-0130	Hex Lock Nut 3/8-16
4	647-04020	Shift Lever Assembly	48	712-3004A	Flange Lock Nut
5	710-0607	TT Screw 5/16-18 x 0 5	49	714-0104	Cotter Pin
6	710-0726	AB Screw 5/16-12 x 0 75	50	726-04028	Push Nut
7	710-0809	TT Screw 1/4-20 x 1 25	51	732-0335	Compression Spring
8	710-1007	TT Sems Screw 3/8-16 x 1 5	52	732-0955	Extension Spring
9	710-1266	Hex Bolt 5/16-18 x 3 5	53	732-0963	Extension Spring
10	710-3144	Hex Bolt 3/8-16 x 2 0	54	735-0662	Control Pad
11	711-0736	Ferrule	55	735-3049	Brake Pad
12	712-0241	Hex Nut 3/8-24	56	736-0262	Flat Washer
13	712-0429	Hex Lock Nut 5/16-18	57	736-3008	Flat Washer
14	712-0431	Flange Lock Nut 3/8-16	58	738-0155	Shoulder Screw
15	714-0104	Hairpin Clip	59	738-0380	Shoulder Screw
16	714-0111	Cotter Pin	60	741-0225	Hex Flange Bearing
17	714-0209	Hairpin Clip	61	741-3065B	Hex Flange Bearing: Split
18	714-0470	Cotter Pin	62	747-04093	Brake Lock Rod
19	720-04028	Shift Knob	63	747-04096	Cruise Control Rod
20	723-3018	Ball Joint	64	748-04039	Cruise Latch
21	732-0384	Extension Spring	65	783-0653F	Steering Support Bracket
22	732-0525	Spring Clip	66	783-0732	Lock-Out Bracket
23	732-0716	Extension Spring	67	783-0773A	Brake Pedal
24	732-0963	Extension Spring	68	783-0780B	Neutral Return Bracket
25	736-0169	Lock Washer 3/8	69	756-04002	Transmission Pulley
26	737-3007	Grease	70	712-0700	Flange Nut 9/16-18
27	738-0372B	Shoulder Spacer	71	718-0758A	Pulley Hub
28	747-04146	Shift Rod	72	683-04055	Transmission Torque Bracket
29	747-04164	Brake Rod	73	683-04130	Idler Bracket
30	747-1127	Idler Adj. Rod	74	710-0227	AB Screw #8-18 x 0 5
31	748-0334	Spacer: Transaxle	75	725-1644	Spring Switch
32	750-0566A	Spacer	76	750-0736	Shoulder Spacer
33	754-0467	V Belt	77	710-0514	Hex Bolt 3/8-16 x 1 0
34	754-0468	V Belt	78	747-04146	Shift Rod
35	756-0981A	Flat Idler Pulley	79	726-0320	Insulator Nut Plate
36	783-04283	Shift Bracket	80	736-0242	Bell Washer
37	783-04360	Shift Bracket	81	710-0627	Hex Cap Screw
38	783-04442	Double Idler Bracket: Center	82	634-0104	Wheel Assembly
39	647-0031C	Brake Control Assembly		634-0070	Rim Assembly
40	647-0032A	Speed Control Assembly		734-0255	Air Valve
41	683-0266	Drive Pedal Assembly		734-1730	Tire
42	710-0650	TT Screw 5/16-18 x 0 875	83	734-2290A	Hub Cap
43	710-0726	AB Screw 5/16-12 x 0 75	84	736-0430	Flat Washer
44	710-1260A	LD Screw 5/16-18 x 0 75			



# Models J609 & T609



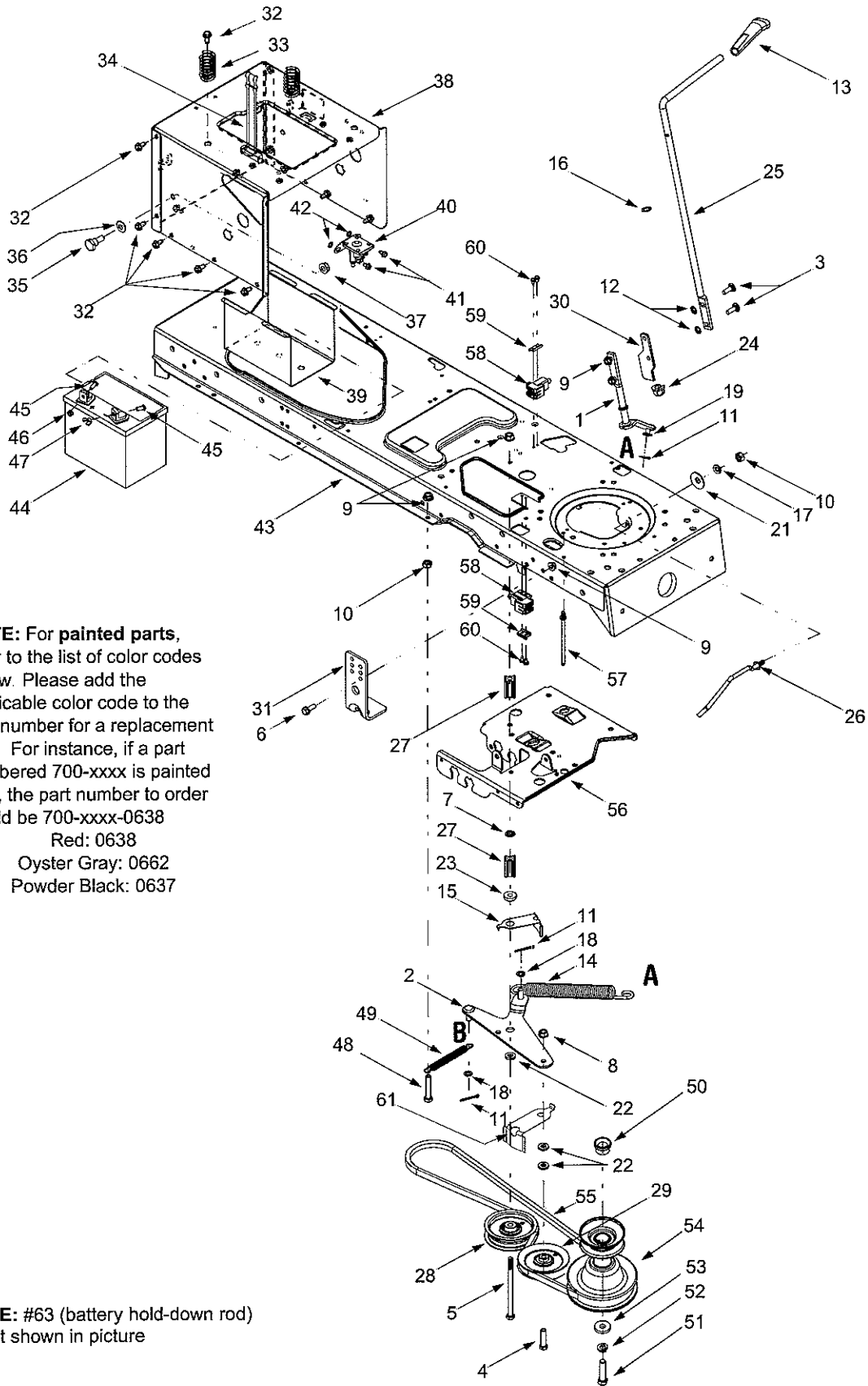
## Models J609 & T609

Ref. No.	Part No.	Description
1	732-0614	Ring, Wire
2	716-0231	Ring, E Type, .750
3	736-0336	Flat Washer, 5/8 x 1 0 x .030*
	736-0337	Flat Washer, 5/8 x 1 0 x .040*
	736-0349	Flat Washer, 5/8 x 1 0 x .020*
4	736-0335	Washer, Thrust .635 x 1 26 x .06
5	710-1325	Self-tapping Screw, 1/4-20 x 1.625
6	719-04017	Upper Housing
7	711-1109	Input Shaft
8	741-0335	Needle Bearing, 625 x 813 x 495
9	717-1464	14-tooth Bevel Pinion
10	716-0108	Retaining Ring, .437
11	741-0340	Sleeve Bearing, .75 x 1.0 x 1.0
12	721-0338	Seal, 75 x 1.0 x .125
13	618-04041	Differential Assembly
14	741-0336	Flange Bearing, 5/8 x 3/4 x 3/4
15	717-1362	42-tooth Bevel Gear
16	717-1363	42-tooth Bevel Gear
17	718-0228	Clutch Collar
18	736-0519	Flat Washer, .70 x 1.125 x .031
19	711-04053	Drive Shaft
20	736-0495	Thrust Washer, 1 0 x .632 x .0
21	741-0337	Flange Bearing, 5/8 x 3/4 x 15/16
22	611-0011	Detent Shaft Assembly
23	741-0862	Detent Ball
24	732-0863	Compression Spring
25	719-04018	Lower Housing
26	717-0678	Brake Puck
27	761-0202	Brake Disc
28	710-1206	Self-tapping Screw, 1/4-20 x 2.375
29	661-0001	Brake Assembly
—	737-0148	Grease (19 oz.)

\*Use applicable flat washer (12a, 12b or 12c) in this application allowing .0150/.0020 in end-play

**NOTE:** *If rebuilding the upper housing of the transmission, add two ounces of Unirex<sup>®</sup> N3 grease (Part No. 737-0289) in the input shaft cavity*

# Models J609 & T609



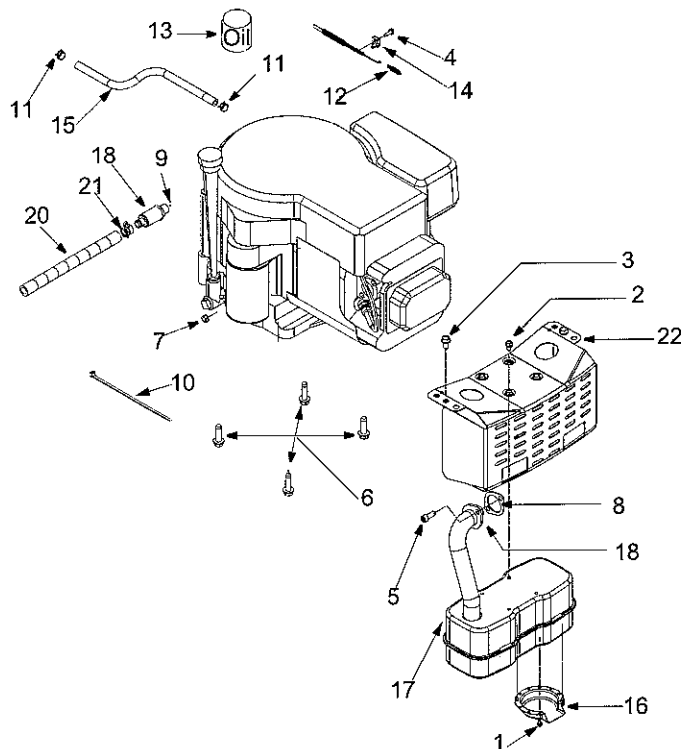
**NOTE:** For painted parts, refer to the list of color codes below. Please add the applicable color code to the part number for a replacement part. For instance, if a part numbered 700-xxxx is painted Red, the part number to order would be 700-xxxx-0638  
 Red: 0638  
 Oyster Gray: 0662  
 Powder Black: 0637

**NOTE:** #63 (battery hold-down rod) is not shown in picture

## Models J609 & T609

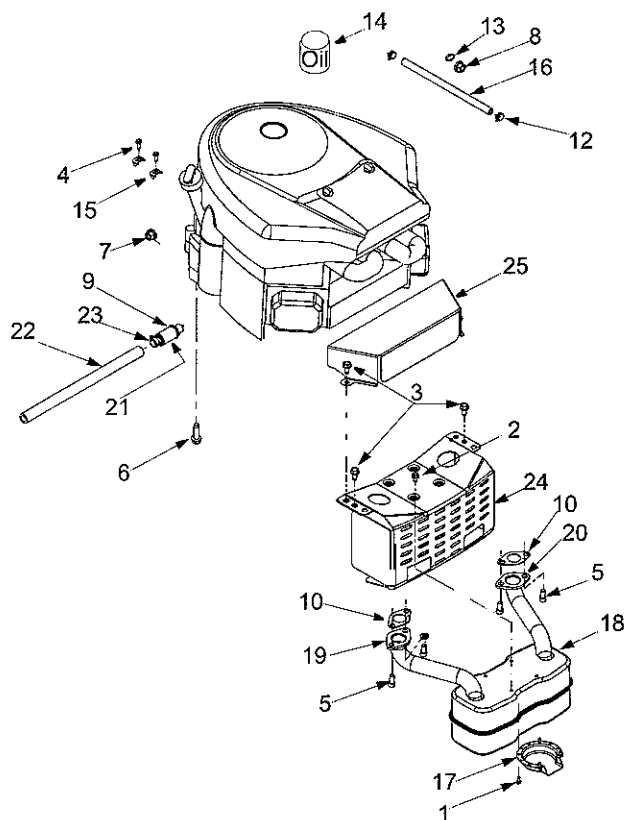
Ref. No.	Part No.	Description	Ref. No.	Part No.	Description
1	647-0064	PTO Engage Lever Assembly	33	732-04035	Compression Spring, 1 28 x 3 125
2	683-0450	PTO Engage Plate Assembly	34	723-0444	Battery Strap
3	710-0276	Carriage Screw, 5/16-18 x 1.00	35	738-1020	Shoulder Screw, 625 x .5, 7/16-20
4	710-0520	Hex Cap Screw, 3/8-16 x 1 5	36	736-0407	Bell Washer, 45 x 1.0 x .062
5	710-0831	Hex Cap Screw, 3/8-16 x 5 5	37	712-0459	Flange Lock Nut, 7/16-20
6	710-0726	AB Screw 5/16-12 x 0 75	38	783-1031A	Hitch Plate
7	712-0229	Push Nut, 3/8	39	783-0349	Battery Tray
8	712-0431	Flange Lock Nut, 3/8-16	40	725-1426	Solenoid, 12-Volt, 100 Amp
9	712-3004A	Flange Lock Nut, 5/16-18	41	710-0599	Self Tapping Screw, 1/4-20 x 5
10	712-3010	Hex Nut, 5/16-18	42	736-0222	Lock Washer, 1/4
11	714-0470	Cotter Pin, 1/8 x 1 25	43	683-0304C	Lower Frame Assembly
12	726-0201	Speed Nut, .3125	44	725-1737A	12-volt Battery, 190 CCA (Model J609)
13	731-2111A	PTO Knob	45	725-1706A	12-volt Battery, 270 CCA (Model T609)
14	732-1170	Extension Spring, .75 x 6.75	46	710-0751	Hex Cap Screw, 1/4-20 x .62
15	732-0991A	Belt Guard	47	712-0271	Hex Sems Nut, 1/4-20
16	736-0108	Flat Washer, .510 x 750 x .033	48	712-3044	Wing Nut, 1/4-20
17	736-0119	Lock Washer, 5/16	49	732-1165	Extension Spring, .50 x 5.0
18	736-0140	Flat Washer, .385 x .62 x .063	50	710-3180	Hex Cap Screw, 5/16-18 x 1.75
19	736-0275	Flat Washer, 5/16	51	750-0596	Spacer Cup
20	736-3000	Flat Washer, .406 x .875 x .059	52	710-3029	Hex Head Cap Screw, 7/16-20 x 1.25
21	736-0242	Bell Washer	53	736-0171	Lock Washer, 7/16
22	736-3039	Flat Washer	54	736-0322	Flat Washer, .450 x 1.25
23	738-0372B	Shoulder Spacer, .380	55	756-0982B	Engine Pulley, 3.56 OD x 5 56
24	741-0708	Hex Split Flange Bearing, 5	56	754-0497	PTO Belt
25	747-1112D	PTO Engage Handle	57	783-0653F	Steering Support Bracket
26	747-1286A	Belt Keeper Rod	58	711-1044	Keeper Pin, 5/16 x 4 75
27	748-0415A	Spacer, 3/8 x 1.54	59	725-1657A	Switch
28	756-0627B	Idler Pulley, 3 5	60	17962	Switch Plate
29	756-1208	Idler Pulley, 4.0	61	710-0224	Screw, #10-16 x 5
30	783-0744A	Engagement Stop	62	732-1013	Belt Guard
31	783-0891B	Deck Stop	63	736-0300	Flat Washer
32	710-0604A	Self Tapping Screw, 5/16-18 x .625		747-04121A	Battery Hold-Down Rod (not shown)

## Models J609



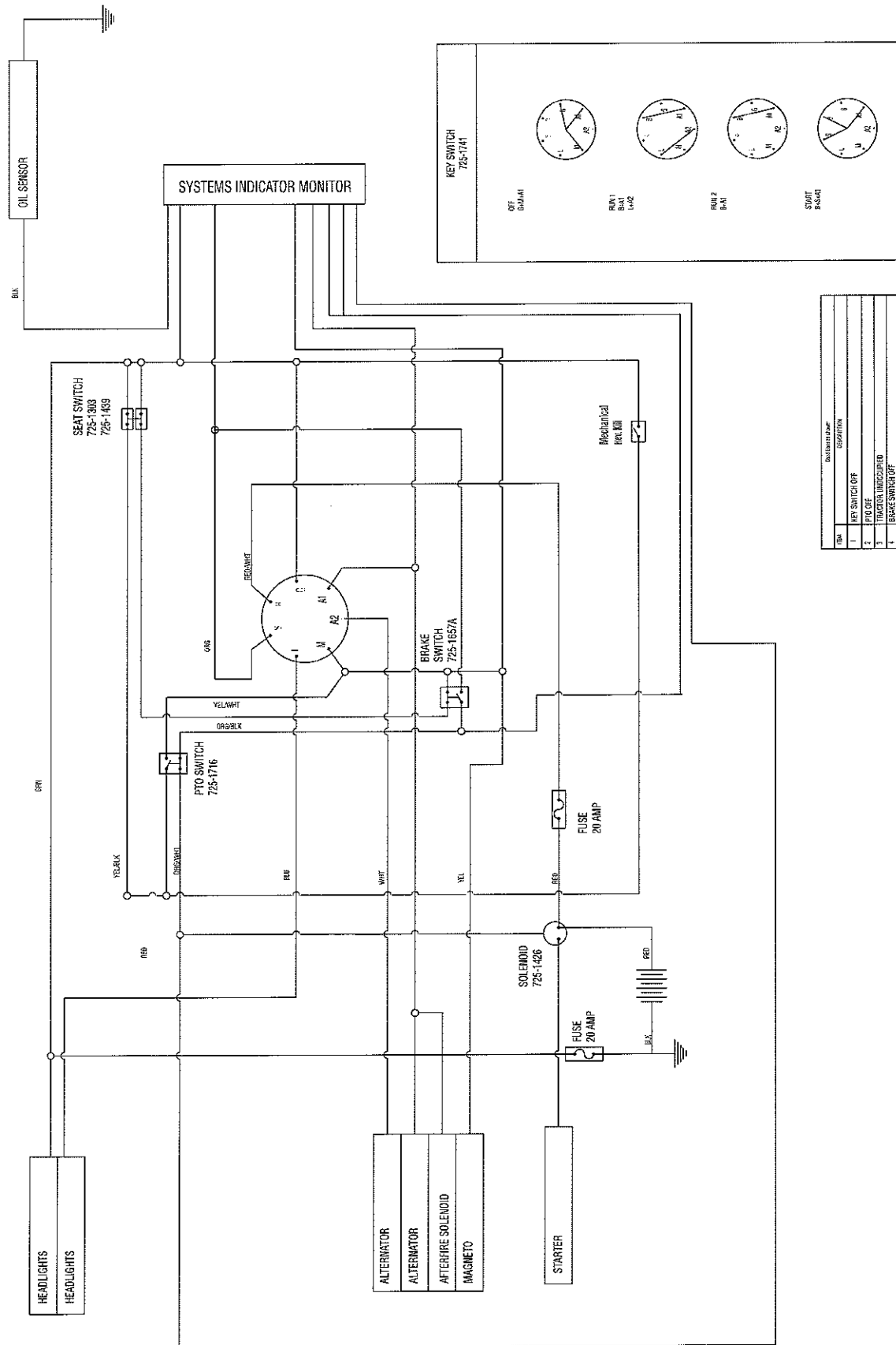
Ref. No.	Part No.	Description
1	710-0227	AB Screw #8-18 x 0.5
2	710-0599	TT Screw 1/4-20 x 0.5
3	710-0726	AB Screw 5/16-12 x 0.5
4	710-1237	T screw #10-32 x 0.625
5	710-1314A	Socket Hd Scr 5/16-18 x 750
6	710-1315	TT Screw 3/8-16 x 1.25
7	712-0271	Sems Nut
8	721-0208	Exhaust Gasket
9	721-0331	Sealant: Loctite™
10	725-0157	Cable Tie
11	726-0205	Hose Clamp
12	732-0966	Extension Spring
13	737-0169	SAE 30W Oil
14	751B213146	Throttle Clamp
15	751-0535	Fuel Line Hose
16	751-0564A	Muffler Deflector
17	751-0617A	Muffler
18	751-0619A	Exhaust Pipe
19	751-3140	Oil Drain
20	751-3141	Oil Drain Hose Extension
21	751-3142	Oil Drain Cap
22	783-0615C	Muffler Bracket

## Model T609



Ref. No.	Part No.	Description
1	710-0227	AB Screw 3/8-18 x 0.5
2	710-0599	TT Screw 1/4-20 x 0.5
3	710-0726	AB Screw 5/16-20 x 0.75
4	710-1237	T Screw #10-32 x 0.625
5	710-1314A	Socket Hd. Scr 5/16-18 x 0.75
6	710-1315	TT Screw 3/8-16 x 1.25
7	712-0271	Sems Nut
8	712-3017	Hex Nut
9	721-0331	Pipe Sealant
10	721-0460	Exhaust Gasket
11	725-0157	Cable Tie(not shown)
12	726-0205	Hose Clamp
13	736-0300	Flat Washer
14	737-0169	Oil: SAE 30W
15	751B221535	Clamp: Casing
16	751-0535	Fuel Line Hose
17	751-0564A	Deflector: Muffler
18	751-0616A	Dual Inlet Muffler
19	751-0650A	Exhaust Pipe RH
20	751-0651A	Exhaust Pipe LH
21	751-3140	Oil Drain
22	751-3141	Extension Hose: Oil Drain
23	751-3142	Oil Drain Cap
24	783-0615B	Heat Shield: Muffler
25	783-0625C	Heat Shield: Single

# Models J609 & T609

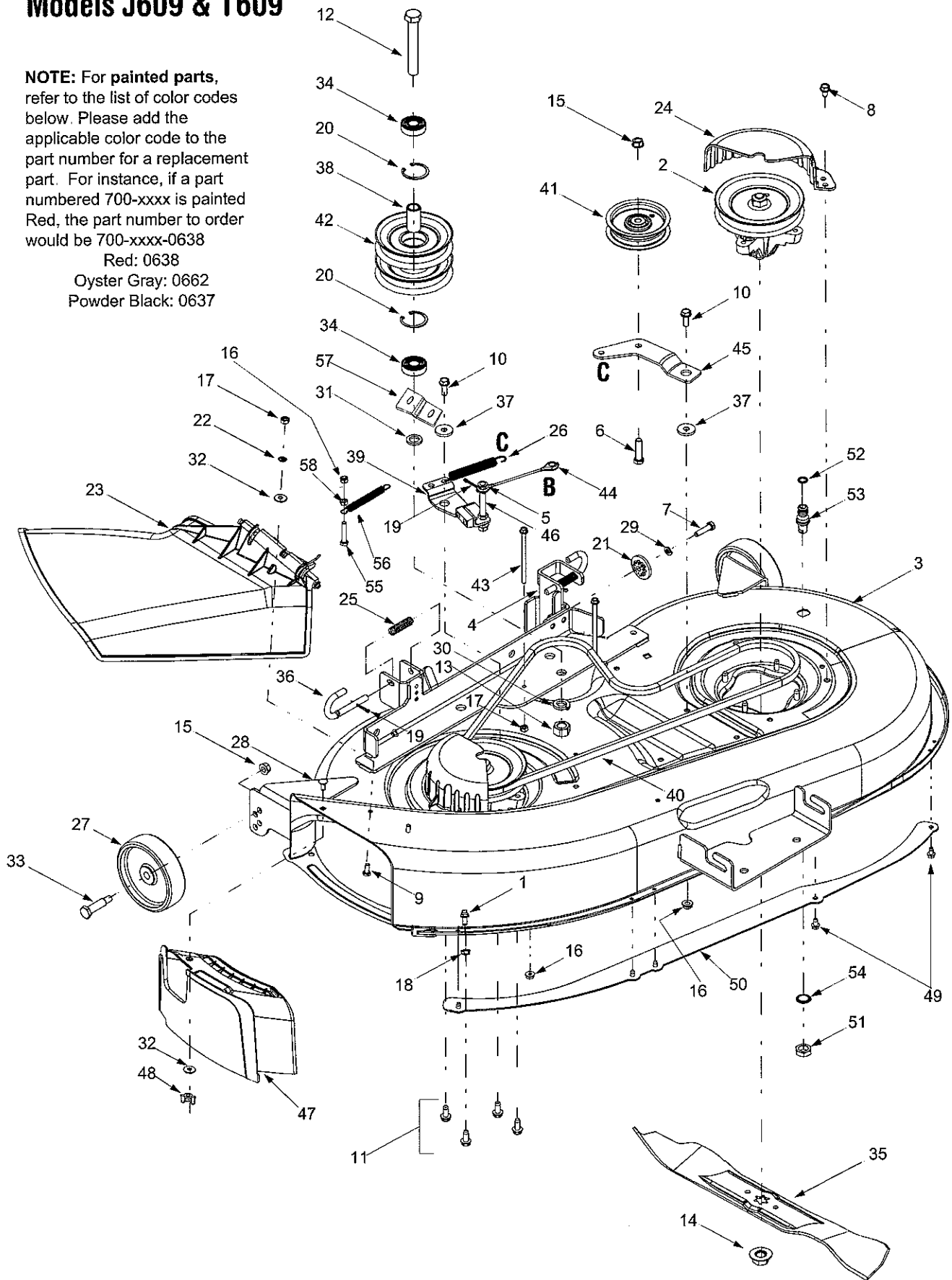


TER	DESCRIPTION	LOCATION
1	KEY SWITCH OFF	
2	PTO OFF	
3	SEAT SWITCH OFF	
4	STOP SWITCH OFF	

# Models J609 & T609

**NOTE:** For painted parts, refer to the list of color codes below. Please add the applicable color code to the part number for a replacement part. For instance, if a part numbered 700-xxxx is painted Red, the part number to order would be 700-xxxx-0638

- Red: 0638
- Oyster Gray: 0662
- Powder Black: 0637



## Models J609 & T609

Ref. No.	Part No.	Description	Ref. No.	Part No.	Description
1	711-04069	Grass Catcher Pin, 1/4-20	31	736-0162	Flat Washer, 64 x 1 0 x .12
2	618-0565	Spindle Assy., 5 75 Dia w/ Fitting	32	736-0270	Bell Washer, 265 x .75 x .062
3	683-0198G	42-inch Deck Shell	33	738-0373	Shoulder Screw, .498 x 1.53
4	683-0254	Deck Adj. Bracket w/ Weld Nut	34	741-0524	Bearing, .625 x 1.574 x .470
5	736-0140	Flat Washer, 385 x 62 x .063	35	742-0616A	Blade, Star Center, 21 23"
6	710-0520	Hex Cap Screw, 1/4-20 x 1.5	36	747-1116	Deck Release Pin
7	710-0528	Hex Cap Screw, 5/16-18 x 1.25	37	748-0331	Shoulder Spacer, .625 x .324
8	710-0726	Self-tapping Screw, 5/16-12 x .75	38	750-0932A	Spacer, .635 x .88 x 1.72
9	710-0751	Hex Cap Screw, 1/4-20 x .62	39	683-0440	Deck Brake Assembly
10	710-1238	Hex Hd. Washer Scr., 5/16-18 x .875	40	754-0498	Deck Belt
11	710-0650	Self-tapping Screw, 5/16-18 x .875	41	756-0627B	Idler Pulley, 3.5
12	710-3151	Hex Cap Screw, 5/8-18 x .875	42	756-1202	Double Pulley, 5.0
13	712-0337	Hex Nut, 5/8-18	43	710-1830	Self-tapping Screw, 1/4-20 x 4.0
14	712-0417A	Hex Flange Nut, 5/8-18	44	746-0970	Brake Cable, 5 05
15	712-0431	Flange Lock Nut, 3/8-16	45	783-1291	Idler Bracket
16	712-0429	Flange Lock Nut, 5/16-18	46	711-1534	Pin, 3/8-16, 3/8 x 3.27
17	712-3006	Hex Nut, 1/4-20	47	731-2363	Mulch Plug
18	712-0324	Hex Lock Nut, 3/8-16	48	712-3087	Wing Nut
19	714-0470	Cotter Pin, 1/8 x 1.25	49	710-0599	Self-Tapping Screw, 1/4-20 x .5
20	716-3020	Internal Snap Ring	50	783-1146A	Deck Skirt
21	717-04074	Deck Adjustment Gear	51	712-0641	Hex Nut, M-16 x 1.5
22	726-0233	Push Nut. 25 x 5	52	721-0417	O-Ring
23	731-1032B	Side Discharge Chute Assembly	53	737-04003B	Water Nozzle (if equipped)
24	731-2486A	Belt Cover	54	736-0760	Lock Washer
25	732-0306A	Comp. Spring, .406 x .531 x 1.75	55	710-3180	Hex Bolt, 5/16-18 x 1.75
26	732-0470A	Extension Spring, .50 x 4 74	56	732-1165	Extension Spring
27	734-0973	Deck Wheel, 5 x 1.38	57	783-04013A	Stab Bracket: Pulley
28	710-0134	Carriage Screw, 1/4-20 x 5	58	712-3010	Hex Nut
29	736-0119	Lock Washer, 5/16	59	783-1025	Chute Stop (not shown)
30	736-0158	Lock Washer, 5/8			