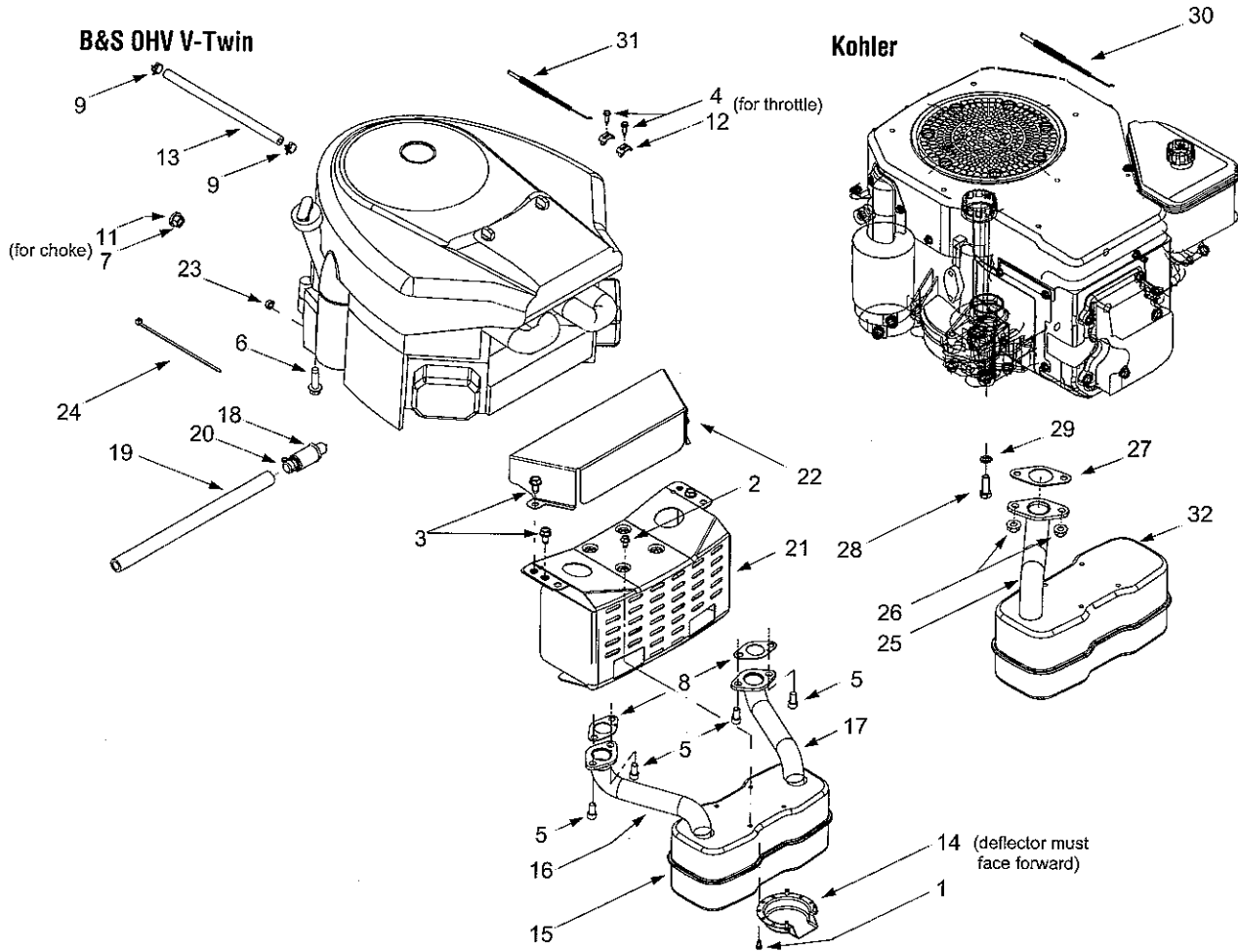


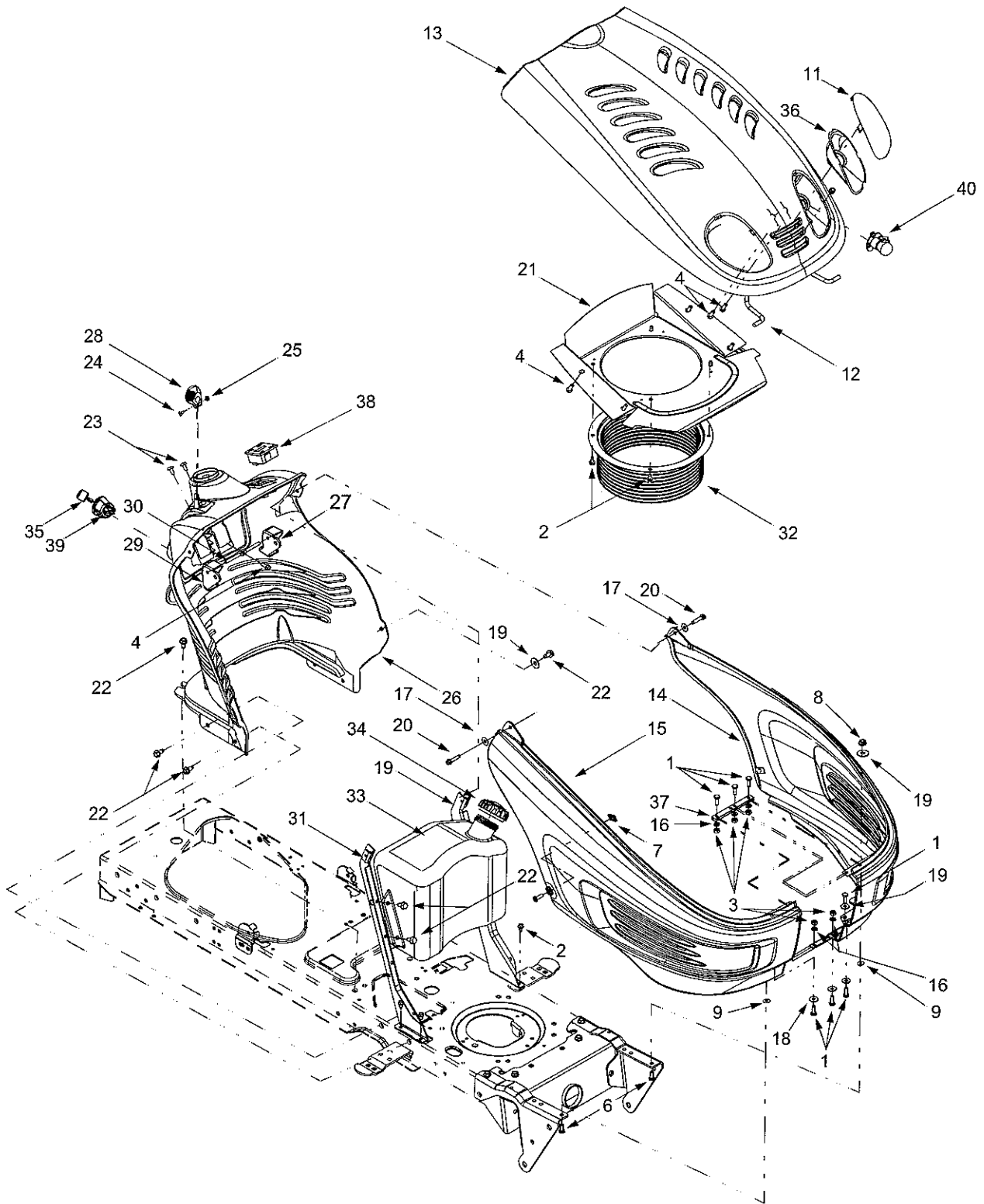
## SECTION 12: MODEL 614 PARTS LIST



**NOTE:** Engine accessory parts are applicable to all 614 model tractors except where otherwise noted.

REF. NO.	PART NO.	DESCRIPTION	REF. NO.	PART NO.	DESCRIPTION
1	710-0227	Self-tapping Screw, #8-18 x 50	17	751-0651A	LH Exhaust Pipe (B&S OHV V-Twin)
2	710-0599	Self-tapping Screw, 1/4-20 x 50	18	751-3140	Oil Drain Valve
3	710-0726	Self-tapping Screw, 5/16-18 x 625	19	751-3141	Oil Drain Hose
4	710-1237	Screw, #10-32 x 625 (B&S OHV V-Twin)	20	751-3142	Oil Drain Cap
5	710-1314A	Socket Cap Screw, 5/16-18 x 625	21	783-0615C	Muffler Heat Shield
6	710-1315	Self-tapping Screw, 3/8-16 x 1.25	22	783-0625C	Engine Heat Shield (B&S OHV V-Twin)
7	712-3017	Hex Nut, 3/8-16	23	712-0271	Hex Sems Nut, 1/4-20 (B&S OHV V-Twin)
8	721-0460	Exhaust Gasket (B&S OHV V-Twin)	24	725-0157	Cable Tie
9	726-0205	Hose Clamp	25	751-0621	Exhaust Pipe (Kohler)
10	751B213146	Casing Clamp (B&S OHV Single)	26	712-3086	Flange Nut, 8mm (Kohler)
11	736-0300	Lock Washer, 406 x 875 x .059	27	721-0375	Exhaust Gasket (Kohler)
12	751B221535	Casing Clamp (B&S OHV V-Twin)	28	710-3206A	Hex Cap Screw, 8mm (Kohler)
13	751-0535	Fuel Line Hose	29	736-0607	External Lock Washer (Kohler)
14	751-0564A	Muffler Deflector	30	746-1087	Throttle Cable (Kohler)
15	751-0616A	Muffler, Twin Inlet (B&S OHV V-Twin)	31	746-1086	Throttle Cable (B&S OHV V-Twin)
16	751-0650A	RH Exhaust Pipe (B&S OHV V-Twin)	32	751-0617A	Muffler, Single Inlet (Kohler)

# Model 614

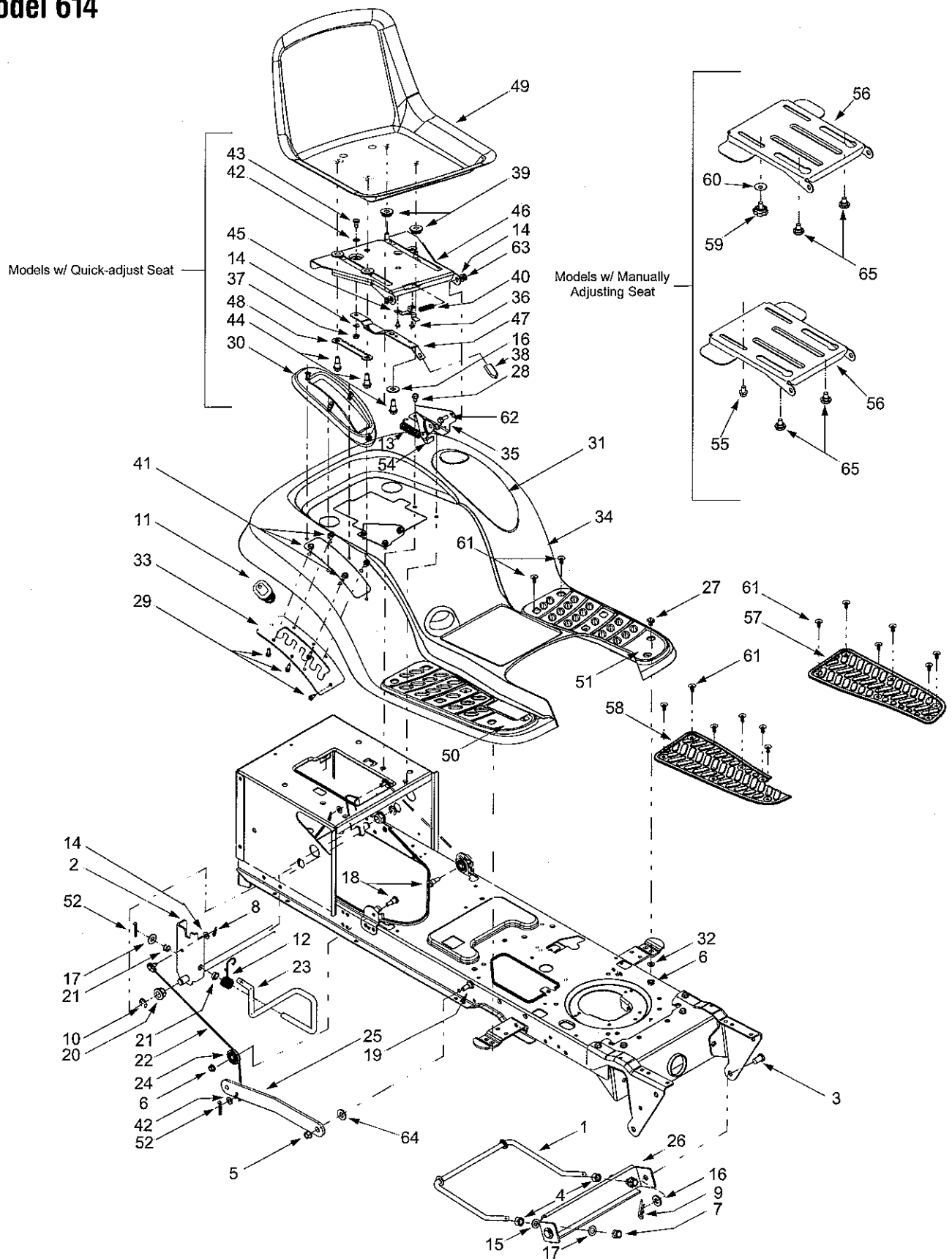


# Model 614

REF. NO.	PART NO.	DESCRIPTION
1	710-3015	Hex Cap Screw, 1/4-20 x .75
2	710-0599	Self-tapping Screw, 1/4-20 x 5
3	712-0324	Hex Nut, 1/4-20
4	710-0895	Self-tapping Screw, 1/4-15 x .75
5	710-0924	Pan Phillips Screw, 1/4-20 x .75
6	710-0528	Hex Cap Screw, 5/16-18 x 1 25
7	712-0292	U-type Speed Nut, 1/4-20
8	712-0429	Hex Lock Nut, 5/16-18
9	726-0201	Speed Nut
10	747-2127	Hood Latch Rod
11	731-1978	RH Head Light Lens
	731-1979	LH Head Light Lens
12	747-1132A	Hood Support Rod
13	731-1980B	Hood
14	731-1981C	LH Side Panel
15	731-1982C	RH Side Panel
16	736-0329	Lock Washer, 1/4
17	736-0342	Flat Washer, 283 x .75 x .030
18	736-0173	Flat Washer, 28 x .74 x .063
19	783-04323	LH Dash Support Plate
20	710-0809	Self-tapping Screw, 1/4-20 x 1 25
21	783-0808A	Hood Heat Shield w/o Intake Bellow
22	710-0726	Self-tapping Screw, 5/16-18 x 75
23	710-1017	Torx Self-tapping Screw, 1/4-14 x 625
24	710-3217	Torx Screw, #8-32 x 375
25	712-0142	Hex Nut, 8-32
26	731-0069D	Dash Panel (models w/ Manual PTO)
	731-0071E	Dash Panel (models w/ Electric PTO)
27	731-0072	Parking Brake Button
28	731-1857	Throttle Control Lever
29	731-2106	Cruise Control Button
30	747-1155	Brake/Cruise Pivot Rod
31	783-04285	RH Dash Support Plate
32	731-2232A	Intake Bellow, <i>Kohler</i>
	731-2234A	Intake Bellow, <i>B&amp;S Intek Twin</i>
33	751-0659C	Fuel Tank, 2-gallon (Shown)
	751-0658E	Fuel Tank, 3-gallon
34	751-0603	Fuel Cap
35	725-1745	Ignition Key w/ plastic cover
	725-1744	Ignition Key w/o plastic cover
36	777X41432	Headlight Reflector
37	783-1000A	Grille Support Bracket
38	725-1976	Systems Indicator Monitor
39	725-1741	Ignition Switch
40	625-0051	Headlight Assembly
—	629-04083	Headlight Wire Harness
—	629-04067	Harness Adapter (Models w/ Kohler Engine)
—	629-04073	Wire Harness (models w/ Electric PTO & Hour Meter)
—	629-04074	Wire Harness (models w/ Electric PTO & Ammeter)
—	629-04075	Wire Harness (models w/ Manual PTO & Hour Meter)
—	629-04076	Wire Harness (models w/ Manual PTO & Ammeter)

**NOTE:** Tractor features vary by model. NOT all parts listed above and pictured on the previous page are standard equipment.

# Model 614



# Model 614

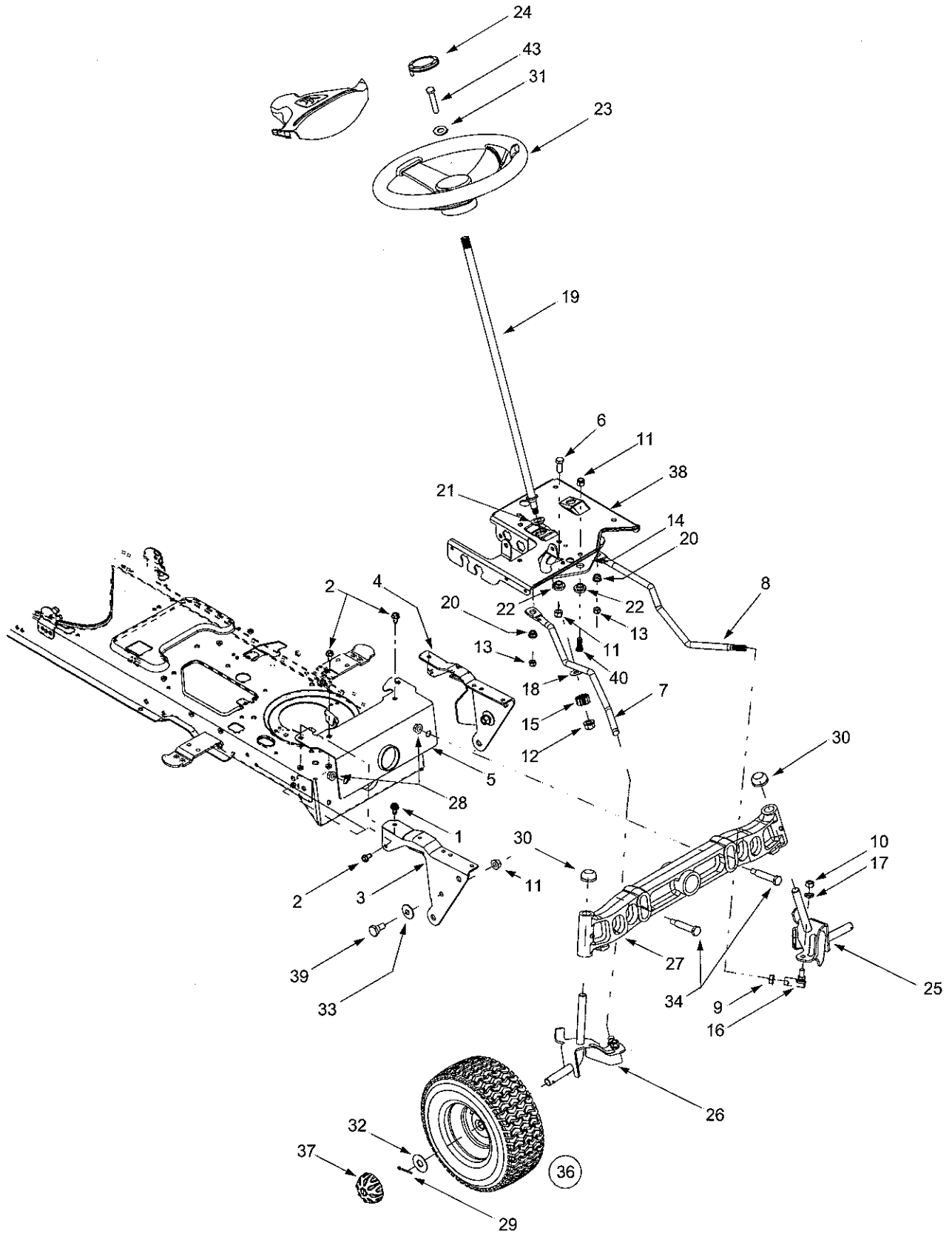
REF. NO.	PART NO.	DESCRIPTION	REF. NO.	PART NO.	DESCRIPTION
1	747-1130B	Deck Stabilizer Rod	34	783-04333	Fender, 4-Style† (Shown)
2	683-04079	Lift Shaft Assembly		783-04437	Fender, 7-Style‡
3	711-0332	Clevis Pin, 5 x 78	35	783-1489	Seat Mounting Bracket
4	712-0206	Hex Nut, 1/2-13	36	710-1268	Screw, #10-16 x 375
5	712-0431	Flange Lock Nut, 3/8-16	37	712-3027	Hex Flange Lock Nut, 1/4-20
6	712-3004A	Flange Lock Nut, 5/16-18	38	720-0309A	Seat Adjuster Grip
7	712-3083	Hex Nut, 1/2-13	39	731-04074	Spacer
8	714-0104	Internal Cotter Pin	40	732-0499	Compression Spring, 41 x 1 5
9	714-0145	Internal Cotter Pin	41	710-0726	Self-tapping Screw, 5/16-18 x 625
10	716-0106	E-ring	42	736-0204	Flat Washer, 344 x.62 x.03
11	720-0311	Handle Grip	43	738-0137A	Shoulder Screw, 340 x.285, 1/4-20
12	732-0874	Torsion Spring	44	738-0966	Shoulder Screw, 50 x 50, 3/8-16
13	732-1184	Extension Spring, 84 x 4 6	45	783-0611	Seat Stop
14	736-0275	Flat Washer, 5/16	46	783-0738A	Seat Pivot Bracket
15	736-0921	Lock Washer, 1/2	47	783-0739	Seat Adjustment Lever
16	736-3019	Flat Washer, 31 x 1.062 x.134	48	783-0753	Seat Adjustment Selector
17	736-3084	Flat Washer, 51 x 1 12 x 06	49	757-04012	High Back Seat
18	738-0138A	Hex Cap Screw, 5/16-18 x .62		757-04011B	Medium Back Seat
19	738-0143	Shoulder Screw, 3/8-16	50	735-0656	RH Foot Pad, Rubber (4-Style Fender)
20	741-0225	Hex Flange Bearing	51	735-0657	LH Foot Pad, Rubber (4-Style Fender)
21	741-0715	Snap Flange Bearing	52	714-0111	Cotter Pin
22	746-0968	Lift Cable, 16.16	54	783-0209C	Seat Lift Bracket
23	747-04155	Lift Handle	55	710-0870	Hex Head Washer Screw, 3/8-16 x 625
24	756-1154	Roller Pulley	56	783-04081A	Seat Pivot Bracket, Manually Adjusted
25	783-0678A	Arm Lift	57	735-0672	RH Foot Pad, Rubber (7-Style Fender)
26	783-0720A	Deck Stabilizer Bracket	58	735-0673	LH Foot Pad, Rubber (7-Style Fender)
27	710-0260A	Carriage Bolt, 5/16 x .62	59	720-04009	Knob, 3/8-16
28	710-0604A	Self-tapping Screw, 5/16-18 x .625	60	736-0331	Cupped Washer, 39 x 1 12
29	710-0895	Self-tapping Screw, 1/4-15 x .75	61	726-3046	Ratchet Clip
30	731-1990	Lift Lever Cover	62	738-0296	Shoulder Screw, .437 x 286
31	731-1993	Cover w/ Cup Holder† (Shown)	63	726-0201	Speed Nut, 3125
	731-04591	Cup Holder‡	64	736-0160	Flat Washer, 531 x .93
32	736-3078	Flat Washer, 349 x 1 0 x .063	65	738-04012	Shoulder Screw
33	783-1010	Deck Lift Plate			

†Models equipped with a 4-style fender can accept the cover w/ cup holder.

‡Models equipped with a 7-style fender can accept only a cup holder.

**NOTE:** Tractor features vary by model. NOT all parts listed above and pictured on the previous page are standard equipment

# Model 614

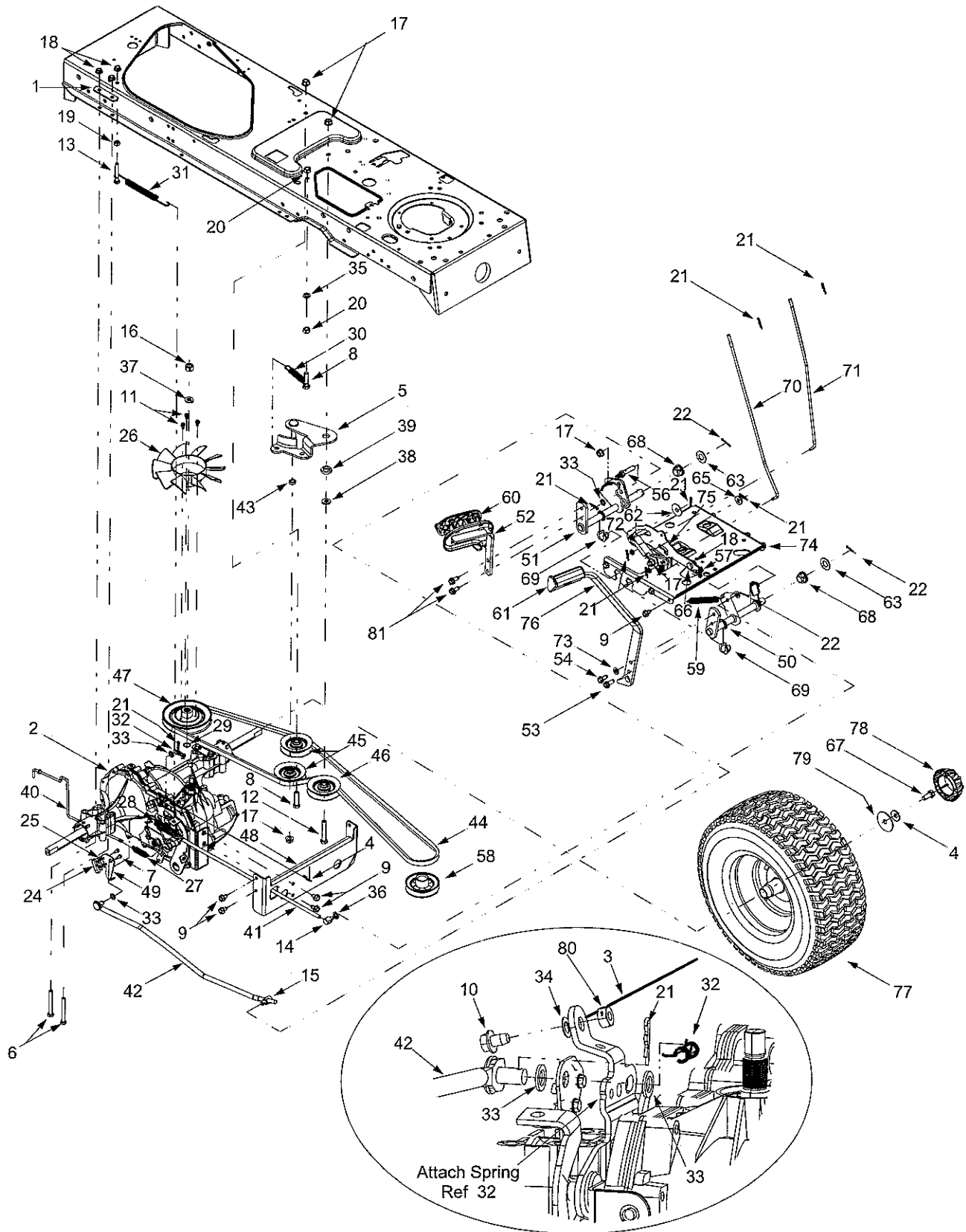


# Model 614

REF. NO.	PART NO.	DESCRIPTION	REF. NO.	PART NO.	DESCRIPTION
1	710-1260A	Self-tapping Screw, 5/16-18 x .75	25	638-04003	LH Axle Assembly, .75 Diameter (Models with 46-inch Deck)
2	710-0604A	Self-tapping Screw, 16-18 x .625		638-04006	LH Axle Assembly, .75 Diameter (Models with 42-inch Deck)
3	783-0726B	RH Pivot Support Bracket			
4	783-0727A	LH Pivot Support Bracket			
5	783-0728	Pivot Bar Bracket	26	638-04004	RH Axle Assembly, .75 Diameter (Models with 46-inch Deck)
6	710-0514	Hex Cap Screw, 3/8-16 x 1.0 (Grade 5)		638-04005	RH Axle Assembly, .75 Diameter (Models with 42-inch Deck)
7	711-1408	RH Drag Link			
8	711-1409A	LH Drag Link			
9	712-0240	Jam Nut, 7/16-20 (Grade 2)	27	719-0525C	Cast Iron Pivot Bar w/ Fittings, .75
10	712-0241	Hex Nut, 3/8-24 (Grade 2)	28	712-0130	Lock Nut, 3/8-16
11	712-0130	Lock Nut, 3/8-16	29	714-0162	Cotter Pin
12	712-0459	Flange Lock Nut, 7/16-20	30	726-0341	Push Cap, .750
13	712-0429	Lock Nut, 5/16-18	31	736-0242	Bell Washer, .34 x .872
14	717-1550E	Steering Segment, 11/90 Ratio	32	736-0316	Flat Washer, 78 x 1.59 x .06
15	717-1554	Steering Pinion Gear	33	736-0331	Bell Washer, .39 x 1.13 x .062
16	723-0448A	Ball Joint, 7/16-20	34	738-1011	Shoulder Screw, .5 x 2.2, 3/8-16
17	736-0169	Lock Washer, 3/8	35	710-0643	Hex Bolt, 5/16-18 X 1
18	736-3084	Flat Washer, .51 x 1.12 x .06	36	634-04087	Wheel Assembly Complete, 15 x 6 x 6
19	738-1001A	Steering Shaft, 625 OD x 24.4		634-04081	Rim Only w/ Plastic Bearing
20	741-0475	Plastic Bushing, .38 ID		734-0255	Air Valve (Not Shown)
21	741-0656A	Hex Flange Bearing, 5/8		734-04040	Tire Only, Square Shoulder
22	738-0372B	Shoulder Spacer, .38 ID	37	734-2290A	Hub Cap
23	631-04028	Steering Wheel: 3 Spoke	38	783-0653G	Steering Support Bracket
	631-04008	Steering Wheel: 3 Spoke Soft Grip	39	738-0143	Shoulder Screw, 3/8-16
24	731-04040	Steering Wheel Cap, Small (Shown)	40	710-04095	Hex Screw 3/8-16 x 1.0
	731-04065	Steering Wheel Cap, Large			

**NOTE:** Tractor features vary by model. NOT all parts listed above and pictured on the previous page are standard equipment.

# Model 614





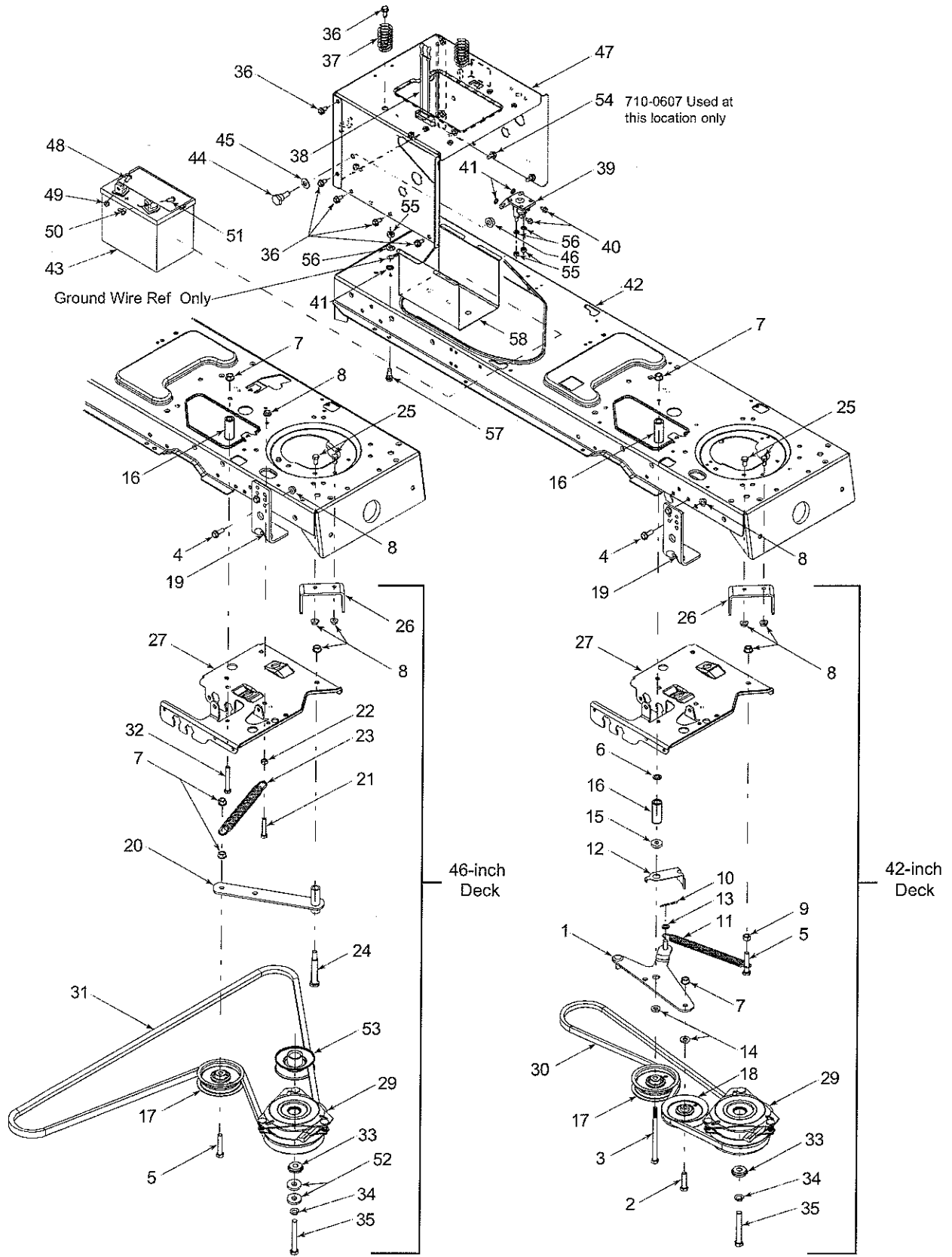
# Model 614

REF. NO.	PART NO.	DESCRIPTION	REF. NO.	PART NO.	DESCRIPTION
1	17840	Transaxle Mounting Bracket	45	756-0116	V-idler Pulley, 3 06
2	618-0319	Hydrostatic Transmission	46	756-0981A	Flat Idler Pulley, 2.75
3	629-0949A	Reverse Wire Harness Adapter & Ground	47	756-1166	Input Pulley, 5.0
4	736-0242	Bell Washer, .34 x .872	48	783-0810	Transmission Torque Bracket
5	683-0251	Double Idler Bracket Assembly	49	783-1019	Switch Actuator Bracket
6	710-0176	Hex Cap Screw, 5/16-18 x 2.75	50	647-0031B	Brake Control Assembly
7	710-0227	Screw, #8-18 x .5	51	647-0049	Drive Control Assembly
8	710-0344	Hex Cap Screw, 3/8-16 x 1.5	52	683-0267C	Hydro Pedal Assembly
9	710-0726	Self-tapping Screw, 5/16-18 x .625	53	710-0650	Self-tapping Screw, 5/16-18 x .875
10	710-0599	Self-tapping Screw, 1/4-20 x .375	54	710-1611B	Self-tapping Screw, 5/16-18 x .75
11	710-3007	Screw, #12-24 x .375	56	711-1363	Pin, 3/8-16 x 2.43
12	710-3011	Hex Cap Screw, 3/8-16 x 2.25	57	732-0335	Compression Spring, .405 OD x 1.17
13	710-3103	Hex Cap Screw, 5/16-18 x 2.0	58	756-0983B	Engine Pulley
14	711-0677	Ferrule, 5/16-18	59	732-0963	Extension Spring, 50 OD x 6.37
15	711-0832	Ferrule, 3/8-24	60	735-0662	Drive Pedal Pad
16	712-0333	Hex Nut, 1/2-20	61	735-3049	Brake Pedal Pad
17	712-0431	Flange Lock Nut, 3/8-16	62	736-0133	Flat Washer, 411 x 1.25 x 1.0
18	712-3004A	Flange Lock Nut, 5/16-18	63	736-0187	Flat Washer, 64 x 1.24 x .06
19	712-3010	Hex Nut, 5/16-18	65	736-3004	Flat Washer, 406 x .875 x .105
20	712-3017	Hex Nut, 3/8-16	66	738-0155	Shoulder Screw, .437 x 1.62
21	714-0104	Internal Cotter Pin	67	710-0627	Hex Cap Screw, 5/16-24 x .75
22	714-0111	Cotter Pin	68	741-0225	Hex Flange Bearing
24	725-1644	Short Spring Switch	69	741-3065B	Split Hex Flange Bearing
25	726-0320	Insulator Nut Plate	70	747-04096	Cruise Control Rod
26	731-1449A	10-inch Fan	71	747-04093	Brake Lock Control Rod
27	732-0209	Extension Spring, 48 x 2.03	72	748-0413	Cruise Latch
28	732-0716	Extension Spring, 59 x 4.0	73	736-3008	Flat Washer, 344 x 750 x .120
29	732-0729	Wire Ring	74	783-0653G	Steering Support Bracket
30	732-0429A	Extension Spring, 5 x 3.97	75	783-0663C	Drive Lockout Bracket
31	732-0994	Extension Spring, 5 x 7.0	76	783-0773A	Brake Pedal
32	732-3118	Extension Spring, 3/8 x 1.44	77	634-0177	Wheel Assembly Complete
33	736-0140	Flat Washer, 385 x 62 x .063		634-0104	20 x 10 x 8 Square Shoulder
34	736-0142	Flat Washer, 281 x 50 x .063			Wheel Assembly Complete
35	736-0169	Lock Washer, 3/8			20 x 8 x 8 Square Shoulder
36	736-0275	Flat Washer, 344 x 688 x .065		634-0070	Rim Assembly Only
37	736-0921	Lock Washer, 1/2		734-0255	Air Valve (Not Shown)
38	736-3010	Flat Washer, 407 x 812 x .135		734-1873	Tire Only, 20 x 10 x 8, Square Shoulder
39	738-0372B	Shoulder Spacer, 38		734-1730	Tire Only, 20 x 8 x 8, Square Shoulder
40	747-1149	Hydrostatic Bypass Rod	78	734-2290A	Deluxe Hub Cap (Ref. 79 Required)
41	747-1150	Hydrostatic Brake Rod	79	736-0430	Flat Washer, 350 x 1.59 x .062
42	747-1151	Hydrostatic Control Rod	80	712-0291	Hex Lock Nut, 1/4-20
43	750-0535	Spacer, 376 x .625 x .22	81	710-1260A	Screw, 5/16-18 x .750
44	754-0349	Drive Belt			

**IMPORTANT:** For a proper working machine, use Factory Approved Parts. **V-belts** are designed to engage and disengage safely. A substitute (non OEM) V-belt can be dangerous by not disengaging completely.

**NOTE:** Tractor features vary by model NOT all parts listed above and pictured on the previous page are standard equipment.

# Model 614 (w/ Electric PTO)



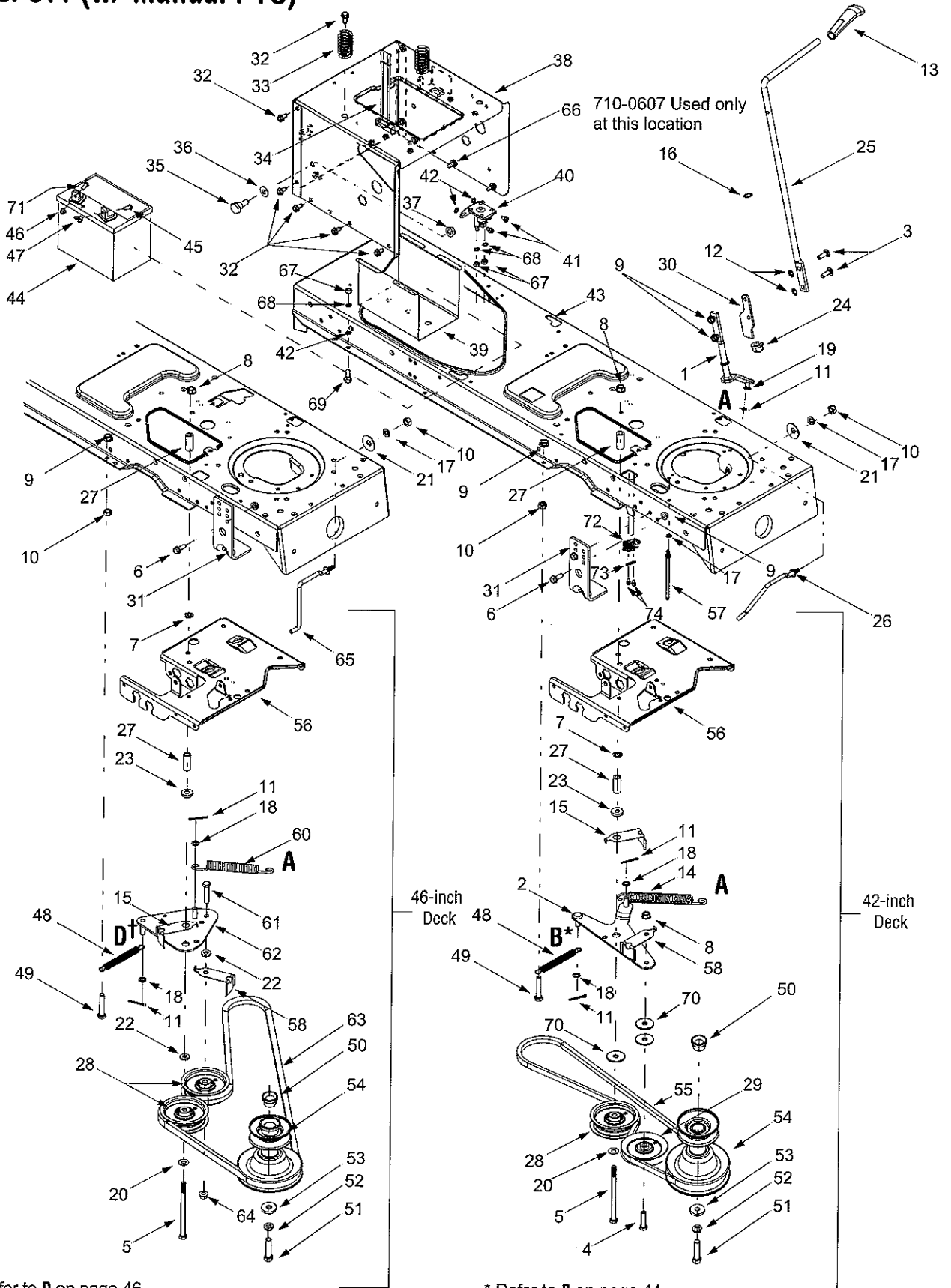
# Model 614

REF. NO.	PART NO.	DESCRIPTION	REF. NO.	PART NO.	DESCRIPTION
1	683-0450	Engagement Plate Assembly	31	754-04033	PTO Belt (Models w/ 46-inch deck)
2	710-0520	Hex Cap Screw, 3/8-16 x 1.5	32	710-0859	Hex Cap Screw, 3/8-16 x 2.5
3	710-0831	Hex Cap Screw, 3/8-16 x 5.5	33	738-0785	Shoulder Spacer, 1.38 x 445 x .36
4	710-1238	Hex Head Washer Screw, 5/16-18 x .875	34	736-0171	Lock Washer, 7/16
5	710-3144	Hex Cap Screw, 3/8-16 x 2.0	35	710-3157	Hex Cap Screw, 7/16-20 x 3.25 (Grade 5)
6	712-0229	Push Nut, 3/8	36	710-0604A	Self Tapping Screw, 5/16-18 x .625
7	712-0431	Flange Lock Nut, 3/8-16	37	732-04035	Compression Spring, 1.28 x 3.125
8	712-3004A	Flange Lock Nut, 5/16-18	38	723-0444	Battery Strap
9	712-3017	Hex Nut, 3/8-16	39	725-1426	Solenoid, 12-Volt, 100 Amp
10	714-0470	Cotter Pin, 1/8 x 1.25	40	710-0599	Self Tapping Screw, 1/4-20 x 5
11	732-0384	Extension Spring, 62 x 6.12	41	736-0222	Lock Washer, 1/4
12	732-0991A	Belt Guard	42	683-0304C	Lower Frame Assembly
13	736-0140	Flat Washer, 385 x 62 x .063	43	725-1706	12-volt Battery, 270 CCA
14	736-3010	Flat Washer, 407 x 812 x .135	44	738-1020	Shoulder Screw, .625 x 5, 7/16-20
15	738-0372A	Shoulder Spacer, .380	45	736-0407	Bell Washer, 45 x 1.0 x .062
16	748-0415B	Spacer, 3/8 x 1.54	46	712-0459	Flange Lock Nut, 7/16-20
17	756-0627B	Idler Pulley, 3.5	47	783-1031A	Hitch Plate
18	756-1208	Idler Pulley, 4.0	48	710-0703	Hex Cap Screw, 1/4-20 x .75
19	783-0891B	Deck Stop	49	712-0271	Hex Sems Nut, 1/4-20
20	683-0297	Idler Bracket Assembly	50	712-3087	Wing Nut, 1/4-20
21	710-3180	Hex Cap Screw, 5/16-18 x 1.75	51	738-1132	Shoulder Screw, 1/4-20, .25 x .15
22	712-3010	Hex Nut, 5/16-18	52	736-0322	Flat Washer, 4375 x 1.25 x .180
23	732-0978	Extension Spring, 62 x 5.62	53	756-0639A	Engine Pulley
24	738-3056	Shoulder Screw, 1/2 x 2.5	54	710-0607	Self-tapping Screw, 5/16-18 x 5
25	710-3025	Hex Cap Screw, 5/16-18 x .625	55	712-3006	Hex Nut, 1/4-20
26	783-1003	Electric Clutch Anti-rotation Bracket	56	736-0329	Lock Washer, 1/4
27	783-0653F	Steering Support Bracket	57	710-0642	Self-tapping Screw, 1/4-20 x .75
29	717-04080	Electric PTO Clutch	58	783-0349	Battery Tray
30	754-0497	PTO Belt (Models w/ 42-inch deck)			

**IMPORTANT:** For a proper working machine, use Factory Approved Parts. **V-belts** are designed to engage and disengage safely. A substitute (non OEM) V-belt can be dangerous by not disengaging completely.

**NOTE:** Tractor features vary by model. NOT all parts listed above and pictured on the previous page are standard equipment.

# Model 614 (w/ Manual PTO)



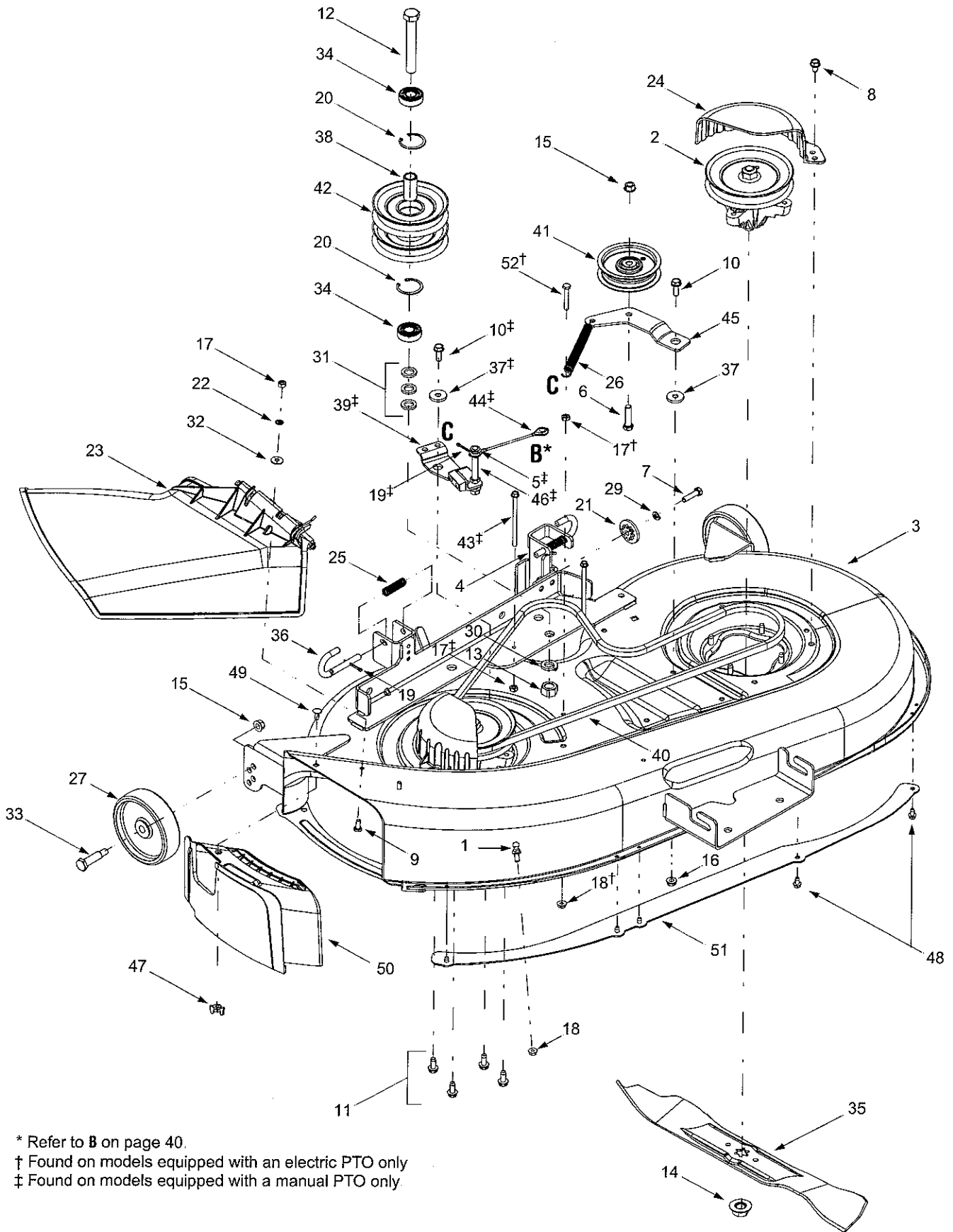
# Model 614

REF. NO.	PART NO.	DESCRIPTION	REF. NO.	PART NO.	DESCRIPTION
1	647-0064	PTO Engage Lever Assembly	39	783-0349	Battery Tray
2	683-0450	PTO Engage Plate Assembly	40	725-1426	Solenoid, 12-Volt, 100 Amp
3	710-0276	Carriage Screw, 5/16-18 x 1.00	41	710-0599	Self Tapping Screw, 1/4-20 x 5
4	710-0520	Hex Cap Screw, 3/8-16 x 1.5	42	736-0222	Lock Washer, 1/4
5	710-0831	Hex Cap Screw, 3/8-16 x 5.5	43	683-0304C	Lower Frame Assembly
6	710-1238	Hex Head Washer Screw, 5/16-18 x 875	44	725-1706A	12-volt Battery, 270 CCA
7	712-0229	Push Nut, 3/8		725-1737	12-volt Battery, 190 CCA
8	712-0431	Flange Lock Nut, 3/8-16	45	738-1132	Hex Cap Screw, 1/4-20
9	712-3004A	Flange Lock Nut, 5/16-18	46	712-0271	Hex Sems Nut, 1/4-20
10	712-3010	Hex Nut, 5/16-18	47	712-3087	Wing Nut, 1/4-20
11	714-0470	Cotter Pin, 1/8 x 1 25	48	732-1165	Extension Spring, 50 x 5 0
12	726-0201	Speed Nut, 3125	49	710-3180	Hex Cap Screw, 5/16-18 x 1.75
13	731-2111A	PTO Knob	50	750-0956	Spacer Cup
14	732-1170	Extension Spring, .75 x 6.75	51	710-3029	Hex Head Cap Screw, 7/16-20 x 1 25
15	732-0991A	Belt Guard	52	736-0171	Lock Washer, 7/16
16	736-0108	Flat Washer, 510 x .750 x 033	53	736-0322	Flat Washer, 450 x 1.25
17	736-0119	Lock Washer, 5/16	54	756-0983B	Engine Pulley, 3.56 OD x 5 56
18	736-0140	Flat Washer, .385 x .62 x .063	55	754-0497	PTO Belt (Models w/ 42-inch deck)
19	736-0275	Flat Washer, 5/16	56	783-0653F	Steering Support Bracket
20	736-0300	Flat Washer, 406 x 875 x 059	57	711-1044	Keeper Pin, 5/16 x 4 75
21	736-0242	Bell Washer, 345 x 88 x .060	58	732-1013	Belt Guard
22	736-3010	Flat Washer, 407 x 812 x .135	59	710-3025	Hex Cap Screw, 5/16-18 x 625
23	738-0372B	Shoulder Spacer, .380	60	732-0944	Extension Spring, .75 x 6.75
24	741-0708	Hex Split Flange Bearing, 5	61	710-0347	Hex Cap Screw, 3/8-16 x 1.75
25	747-1112D	PTO Engagement Handle	62	683-0302	PTO Engagement Plate Assembly
26	747-1286A	Belt Keeper Rod	63	754-0486A	PTO Belt (Models w/ 46-inch deck)
27	748-0415B	Spacer, 3/8 x 1 54	64	712-0431	Flange Lock Nut, 3/8-16
28	756-0627B	Idler Pulley, 3 5	65	747-1243	Belt Keeper Rod
29	756-1208	Idler Pulley, 4.0	66	710-0607	Self-tapping Screw, 5/16-18 x 5
30	783-0744A	Engagement Stop	67	712-3006	Hex Nut, 1/4-20
31	783-0891B	Deck Stop	68	736-0329	Lock Washer, 1/4
32	710-0604A	Self Tapping Screw, 5/16-18 x 625	69	710-0642	Self-tapping Screw, 1/4-20 x 75
33	732-04035	Compression Spring, 1.28 x 3 5	70	736-3039	Flat Washer, .406 x 1 5 x 11 gauge
34	723-0444	Battery Strap	71	710-0703	Carriage Bolt, 1/4-20 x .75
35	738-1020	Shoulder Screw, 625 x .5, 7/16-20	72	725-04039	Safety Interlock Switch
36	736-0407	Bell Washer, 45 x 1 0 x .062	73	17962	Switch Plate
37	712-0459	Flange Lock Nut, 7/16-20	74	710-0224	Screw, #10 x 5
38	783-1031A	Hitch Plate			

**IMPORTANT:** For a proper working machine, use Factory Approved Parts. **V-belts** are designed to engage and disengage safely. A substitute (non OEM) V-belt can be dangerous by not disengaging completely.

**NOTE:** Tractor features vary by model. NOT all parts listed above and pictured on the previous page are standard equipment

# Model 614



\* Refer to B on page 40.

† Found on models equipped with an electric PTO only

‡ Found on models equipped with a manual PTO only

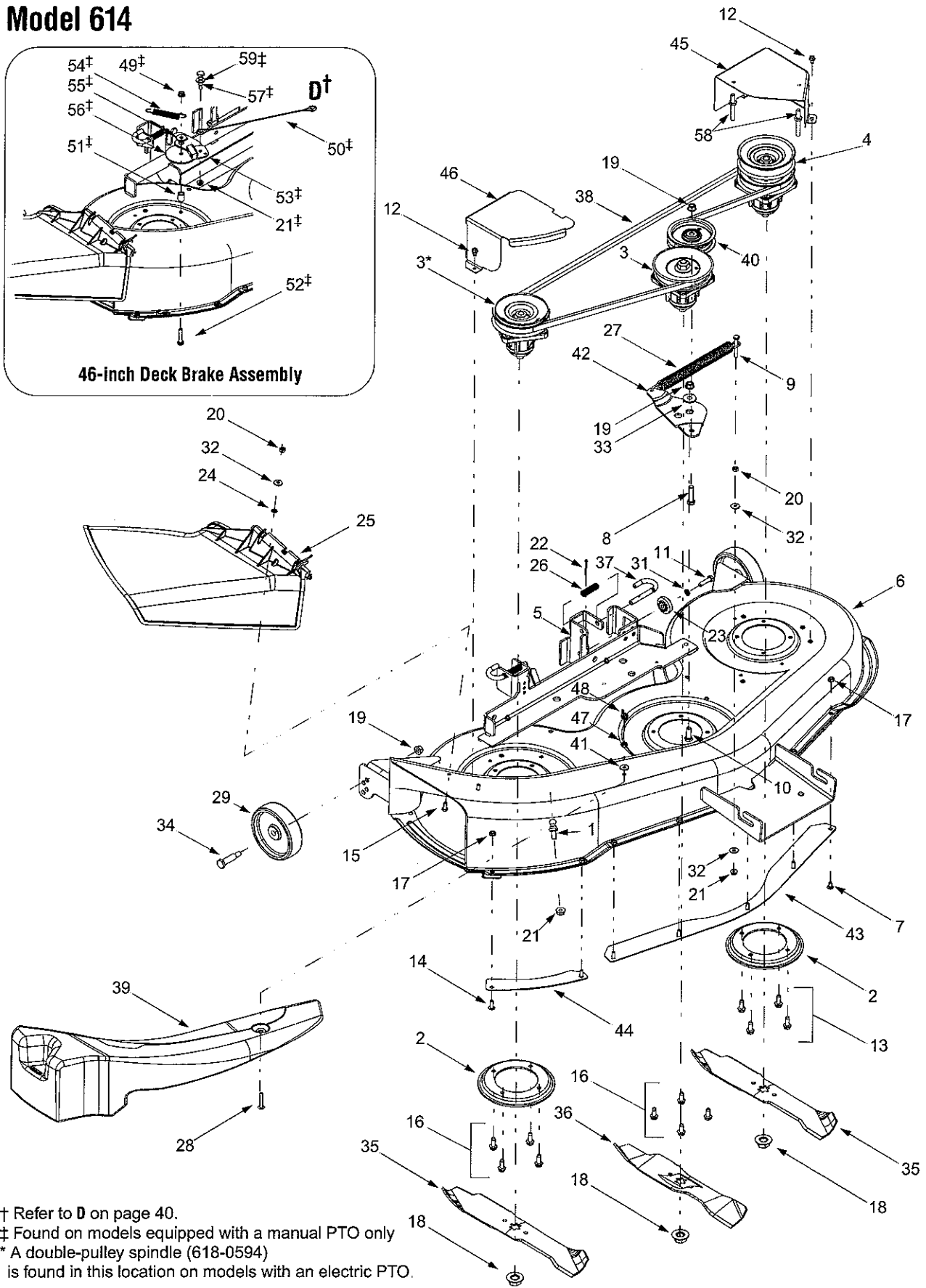
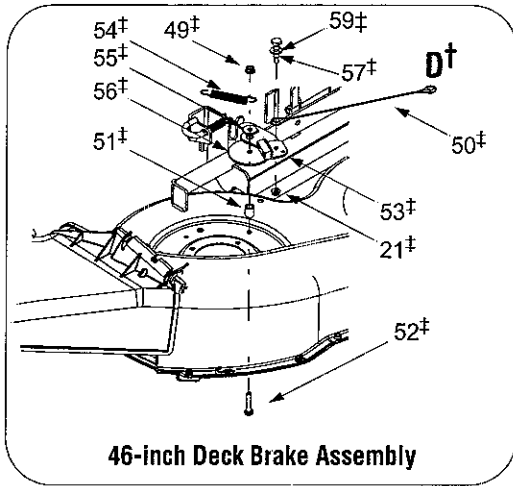
# Model 614

REF. NO.	PART NO.	DESCRIPTION	REF. NO.	PART NO.	DESCRIPTION
1	711-04069	Grass Catcher Pin	26	732-0470A	Extension Spring, 50 x 4.74
2	618-0565	Spindle Assembly, 5 75 Dia	27	734-0973	Deck Wheel, 5 x 1.38
	756-0980	Pulley Only	29	736-0119	Lock Washer, 5/16
3	683-0198G	42-inch Deck Shell	30	736-0158	Lock Washer, 5/8
4	683-0254	Deck Adjustment Bracket w/ Weld Nut	31	736-0162	Flat Washer, 64 x 1.0 x 12
5	736-0140	Flat Washer, 385 x 62 x 063	32	736-0270	Bell Washer, 265 x.75 x.062
6	710-0520	Hex Cap Screw, 1/4-20 x 1.5	33	738-0373	Shoulder Screw, 498 x 1.53
7	710-0528	Hex Cap Screw, 5/16-18 x 1.25	34	741-0524	Bearing, 625 x 1.574 x 470
8	710-0726	Self-tapping Screw, 5/16-18 x.75	35	742-0616A	Three-in-one Blade, Star Center, 21 23"
9	710-0751	Hex Cap Screw, 1/4-20 x 62	36	747-1116	Deck Release Pin
10	710-1238	Hex Head Washer Screw, 5/16-18 x 875	37	748-0331	Shoulder Spacer, 625 x 324
11	710-0650	Self-tapping Screw, 5/16-18 x.75	38	750-0932A	Spacer, 635 x 88 x 1.72
12	710-3151	Hex Cap Screw, 5/8-18 x 875	39	683-0440	Deck Brake Assembly
13	712-0337	Hex Nut, 5/8-18	40	754-0498	Deck Belt
14	712-0417A	Hex Flange Nut, 5/8-18	41	756-0627B	Idler Pulley, 3 5
15	712-0431	Flange Lock Nut, 3/8-16	42	756-1202	Double Pulley, 5.0
16	712-3004A	Flange Lock Nut, 5/16-18	43	710-1830	Self-tapping Screw, 1/4-20 x 4 0
17	712-3006	Hex Nut, 1/4-20	44	746-0970	Brake Cable, 5.05
18	712-3027	Hex Flange Lock Nut, 1/4-20	45	783-1291	Idler Bracket
19	714-0470	Cotter Pin, 1/8 x 1.25	46	711-1534	Pin, 3/8-16, 3/8 x 3.27
20	716-3020	Internal Snap Ring	47	712-3087	Wing Nut, 1/4-20
21	717-04074	Deck Adjustment Gear	48	710-0599	Self-tapping Screw, 1/4-20 x 5
22	726-0233	Push Nut 25 x 5	49	710-0134	Carriage Screw, 1/4-20 x 62
23	731-1032B	Side Discharge Chute Assembly	50	731-2363	Mulch Plug
24	731-2486A	Belt Cover	51	783-1146A	Deck Skirt
25	732-0306	Compression Spring, 406 x 531 x 1.75	52	710-0136	Hex Cap Screw, 1/4-20 x 1.75

**IMPORTANT:** For a proper working machine, use Factory Approved Parts. **V-belts** are designed to engage and disengage safely. A substitute (non OEM) V-belt can be dangerous by not disengaging completely.

**NOTE:** Tractor features vary by model. NOT all parts listed above and pictured on the previous page are standard equipment

# Model 614



† Refer to **D** on page 40.  
 ‡ Found on models equipped with a manual PTO only  
 \* A double-pulley spindle (618-0594) is found in this location on models with an electric PTO.



# Model 614

REF. NO.	PART NO.	DESCRIPTION	REF. NO.	PART NO.	DESCRIPTION
1	711-04069	Grass Catcher Pin	29	734-0973	Deck Wheel, 5 x 1 3/8
2	17982	Spindle Reinforcement Plate	31	736-0119	Lock Washer, 5/16
3	618-0240A	Spindle Assembly, 5.0 Dia.	32	736-0270	Bell Washer, 265 x 75 x 062
	756-1187	Pulley Only	33	738-0347	Shoulder Spacer, 625 x 1 1/16
4	618-0594	Double Pulley Spindle Assembly	34	738-0373	Shoulder Screw
	618-0241	Double Pulley Spindle Ass'y -Electric PTO	35	742-0611	Three-in-one Blade, Star Center, 16 28"
	756-0603	Pulley Only	36	742-0612	Three-in-one Blade, Star Center, 14 88"
5	683-0254	Deck Adjustment Bracket w/ Weld Nut	37	747-1116	Deck Release Pin
6	683-04103	46-inch Deck Shell	38	754-0349	Deck Belt, Poly
7	710-0167	Carriage Screw, 1/4-20 x 50	39	731-1636	Mulch Plug
8	710-0344	Hex Cap Screw, 3/8-16 x 1 1/2	40	756-0627B	Idler Pulley, 3.5
9	710-0501	Hex Cap Screw, 1/4-20 x 2.0	41	736-0173	Flat Washer, 28 x 74 x 063
10	710-0514	Hex Cap Screw, 3/8-16 x 1.0	42	783-0139A	Idler Bracket
11	710-0528	Hex Cap Screw, 5/8-18 x 1 1/4	43	783-0141	Center Deck Skirt
12	710-0599	Self-tapping Screw, 1/4-20 x .5	44	783-0142	RH Deck Skirt
13	710-0650	Self-tapping Screw, 15/16-18 x .875	45	783-1348A	LH Belt Cover
14	710-0703	Hex Screw, 1/4-20 x 75	46	783-0805C	RH Belt Cover
15	710-0751	Hex Cap Screw, 1/4-20 x 62		17258D	RH Belt Cover (Manual PTO)
16	710-1260A	Self-tapping Screw, 5/16-18 x 75	47	712-3006	Hex Nut, 1/4-20
17	712-0271	Hex Sems Nut, 1/4-20	48	712-3087	Wing Nut, 1/4-20
18	712-0417A	Hex Flange Nut, 5/8-18	49	712-3004A	Hex Nut, 5/16-18
19	712-0431	Flange Lock Nut, 3/8-16	50	746-1107	Bracket Cable, 12"
20	712-3006	Hex Nut, 1/4-20	51	750-1320	Spacer, 385 x 625 x .70
21	712-3027	Hex Flange Lock Nut, 1/4-20	52	710-0805	Hex Cap Screw, 5/16-18 x 1.5
22	714-0470	Cotter Pin, 1/8 x 1.25	53	17116	Deck Brake Assembly
23	717-04074	Deck Adjustment Gear	54	732-0429A	Extension Spring, 5 x 3 9/16
24	726-0233	Push Nut 25 x 5	55	748-0324	Shoulder Spacer
25	731-1032B	Side Discharge Chute Assembly	56	736-0418A	Flat Washer, 34 x 2 25 x 1
26	732-0306	Compression Spring, 406 x 531 x 1.75	57	711-1554	Pin, 1/4-20
27	732-0594A	Extension Spring, 91 x 7.3	58	711-0993	Belt Guard Pin
28	710-0578†	Screw, 1/4-20 x 1.5	59	736-0140	Flat Washer, 385 x 62 x .06

**IMPORTANT:** For a proper working machine, use Factory Approved Parts. **V-belts** are designed to engage and disengage safely. A substitute (non OEM) V-belt can be dangerous by not disengaging completely.

**NOTE:** Tractor features vary by model. NOT all parts listed above and pictured on the previous page are standard equipment.