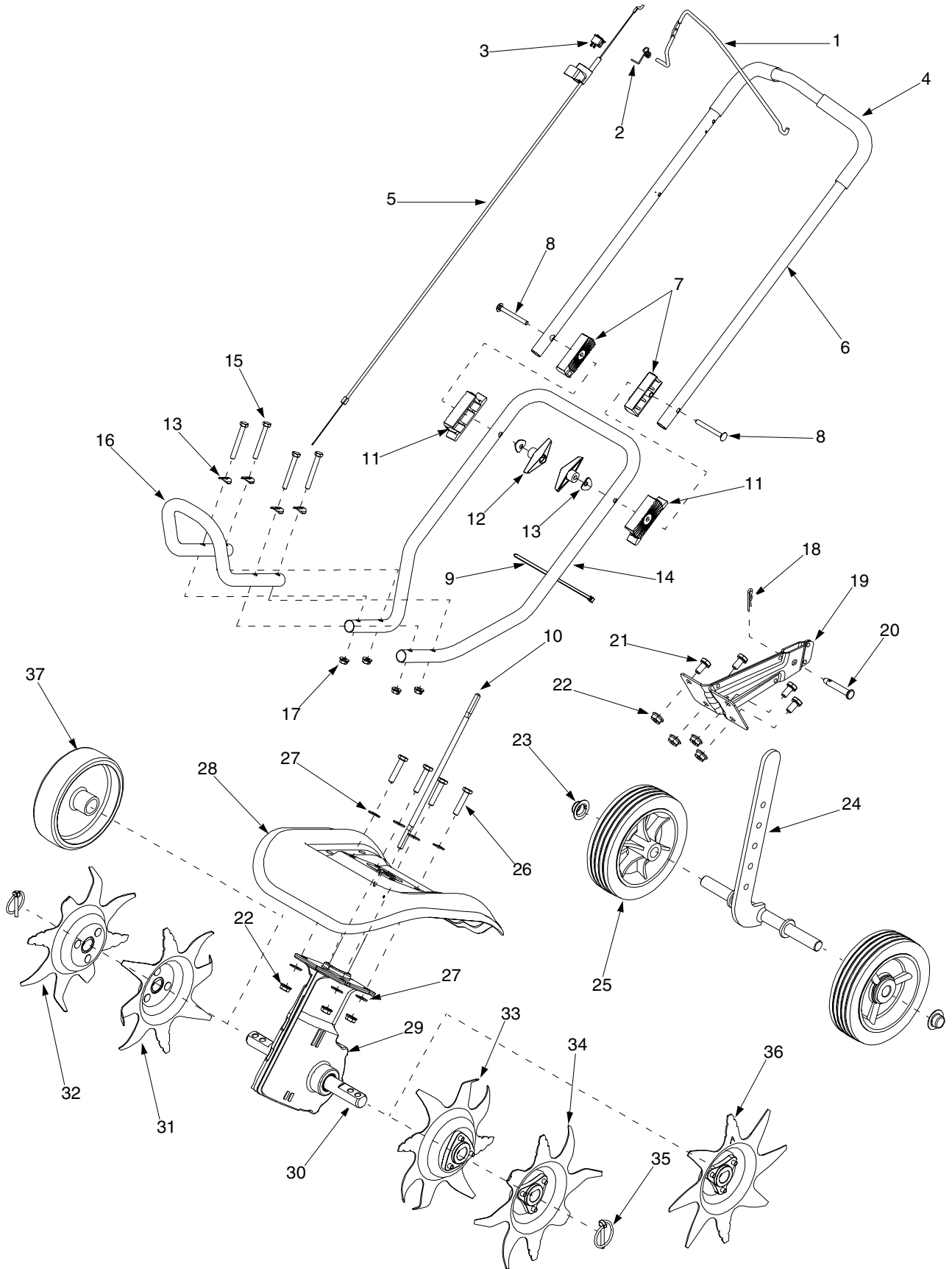


Model 21A-144R401



Model 21A-144R401

Ref. No.	Part No.	Part Description	Ref. No.	Part No.	Part Description
1.	747-1320	Throttle Control	20.	711-1017	Clevis Pin
2.	732-1038	Torsion Spring	21.	710-3013	Hex Cap Screw 1/4-20 x .50
3.	725-2009	On/Off Switch	22.	712-3027	Hex Lock Nut 1/4-20
4.	720-0294	Foam Grip	23.	726-0299	Cap Push
5.	746-1147	Throttle Cable	24.	686-0182	Wheel Support Bracket Assembly
6.	749-1294A	Upper Handle	25.	734-2025	Wheel 5.0
7.	731-1268	Upper Handle Connector	26.	710-0106	Hex Cap Screw 1/4-20 x 1.25
8.	710-0405	Carriage Screw 5/16-18 x 3.0	27.	736-3020	Flat Washer .271 ID x .630 OD
9.	725-0157	Cable Tie	28.	786-0321	Shoulder Tine
10.	718-0812	Drive Shaft	29.	686-0194	Gearbox
11.	731-1267	Lower Handle Connector	30.	711-1608	Tine Shaft .75 x 8.0
12.	720-0241	Wing Nut 5/16-18	31.	686-0179	Inner Tine
13.	736-0451	Shoulder Washer .320 ID x .93 OD	32.	686-0178	Outer Tine
14.	749-1295	Lower Handle	33.	686-0177	Inner Tine
15.	710-0378	Hex Cap Screw 5/16-18 x 2.50	34.	686-0176	Outer Tine
16.	749-1299	Front Handle	35.	714-0220	Click Pin
17.	712-3004A	Flange Lock Nut 5/16-18	36.	686-0183	Edger Tine
18.	714-0104	Cotter Pin	37.	734-2026	Wheel 5.0
19.	686-0181	Tailpiece Bracket Assembly			

NOTE: For **painted parts**, please refer to the list of color codes below. Please add the applicable color code, wherever needed, to the part number to order a replacement part. For instance, if a part numbered 700-xxxx is painted Yard-Man Green, the part number to order would be 700-xxxx-0665.

Yard-Man Green: 0665

Yard-Man Yellow: 0674

Powder Black: 0637