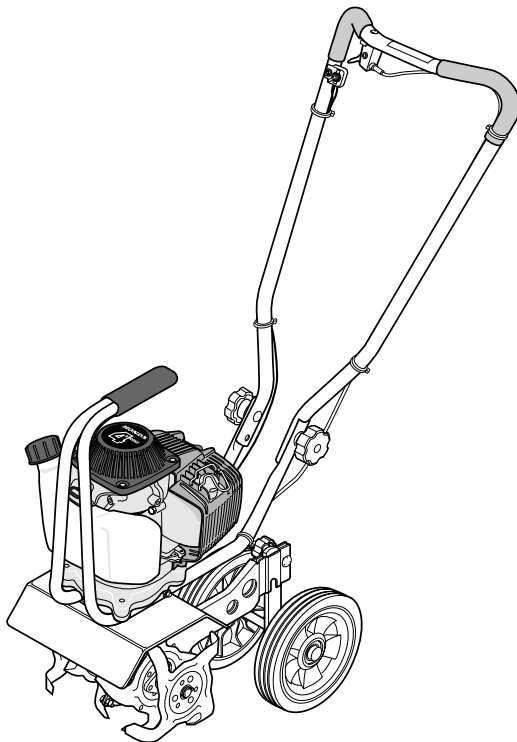




Parts Manual

Tiller/Edger Model
148H



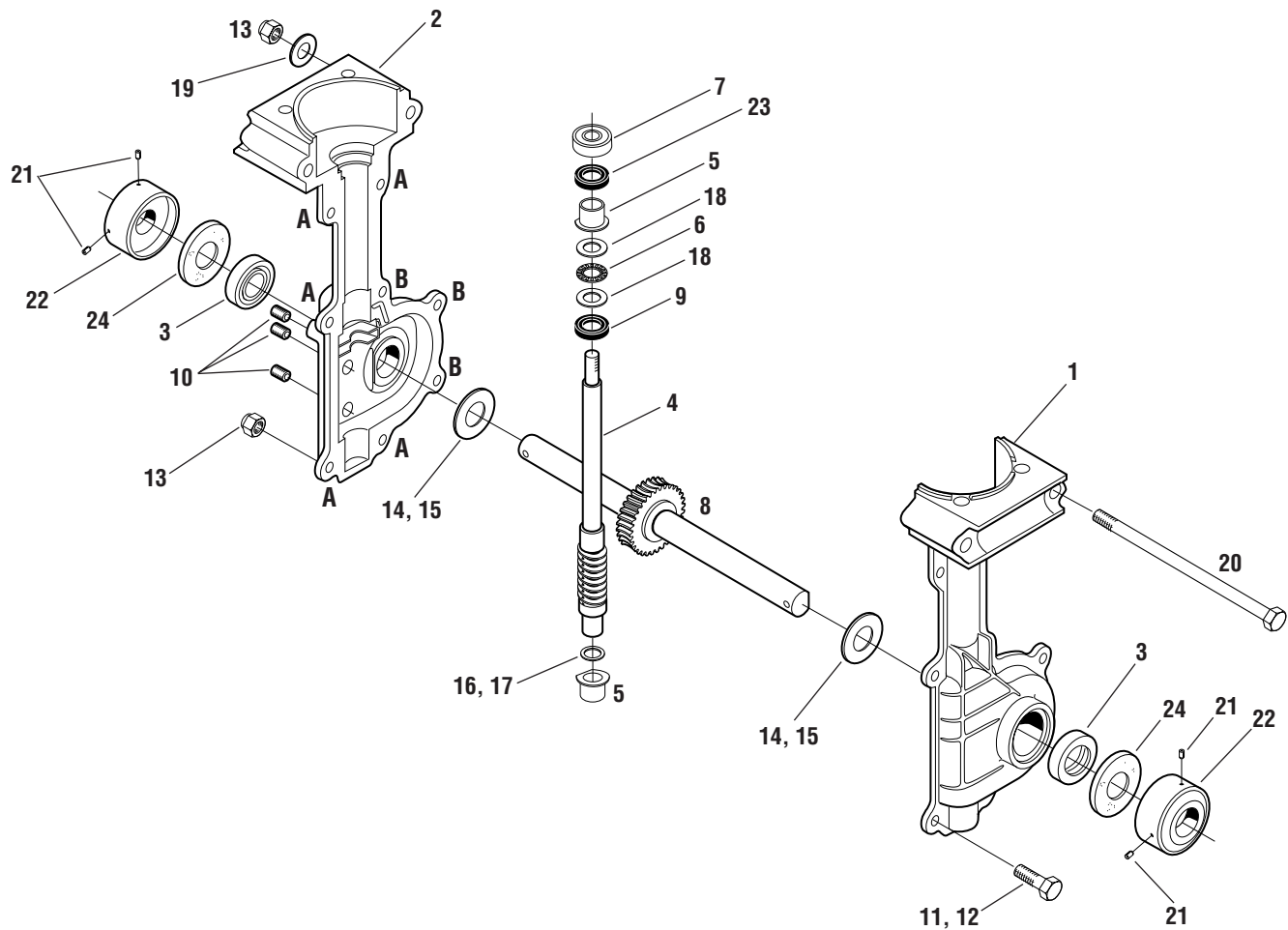
IMPORTANT: READ SAFETY RULES AND INSTRUCTIONS CAREFULLY

Warning: This unit is equipped with an internal combustion engine and should not be used on or near any unimproved forest-covered, brush-covered or grass-covered land unless the engine's exhaust system is equipped with a spark arrester meeting applicable local or state laws (if any). If a spark arrester is used, it should be maintained in effective working order by the operator. In the State of California the above is required by law (Section 4442 of the California Public Resources Code). Other states may have similar laws. Federal laws apply on federal lands. A spark arrester for the muffler is available by contacting the service department at Troy-Bilt LLC, P.O. Box 361131 Cleveland, Ohio 44136-0019.

TROY-BILT LLC, P.O. BOX 361131, CLEVELAND, OH 44136-0019

PRINTED IN USA

FROM NO. 770-10600
(12/2001)



Transmission Assembly

Ref. #	Part #	Description	Qty.
1	1915039	Transmission Case - left-side. (Incl. pressed-in bushing)	1
2	1915040	Transmission Case - right-side. (Incl. pressed-in bushing)	1
3	1983632	Oil Seal	2
4	1918308	Worm Input Shaft Assembly	1
5	1983731	Input Bearing	2
6	1983636	Thrust Bearing	1
7	1983637	Ball Bearing	1
8	1904416	Shaft Assembly. (Incl. pressed-on worm gear and two ring lock pins)	1
9	1909923	Oil Seal, Input	1
10	1185741	Plug, 1/8	3
11	710-0206	Hex Screw, 1/4-20 x 7/8 (five locations, identified as "A" on transmission case)	5
12	710-0597	Hex Screw, 1/4-20 x 1 (three locations, identified as "B" on transmission case)	3

Ref. #	Part #	Description	Qty.
13	1110106	Locknut, Nyloc, 1/4-20	8
14	1983635	Thrust Washer, Output (.050")	.A/R
15	1983640	Thrust Washer, Output (.040")	.A/R
16	1983641	Thrust Washer, Input (.020")	.A/R
17	1983642	Thrust Washer, Input (.035")	.A/R
18	1983638	Thrust Washer	2
19	736-0463	Flat Washer, 1/4	2
20	1983663	Hex Hd. Screw, 1/4-20 x 5	2
21	1747166	Set Screw, 1/4-28 x 3/8	4
22	1915055	Dust Cover	2
23	1918052	Oil Seal, Input	1
24	1983713	Felt Washer	2

A/R – As Required

Ref. #	Part #	Description	Qty.
1	1918087	Handlebar Assy. (Incl. Refs. 2, 3, 4 & 5).....	1
2	777100008	Decal - On/Off Ignition Switch.....	1
3	777100007	Decal - Starting Stabilization.....	1
4	777100009	Decal - Throttle/Tines Control Lever Operation	1
5	1917451	Handlebar Grip, PVC	2
6	1917755	Throttle Lever and Cable	1
7	1750608	Pan Hd. Screw, #10-16 x 1-1/2.....	1
8	1731025	Saddle Hd. Screw, 5/16-18 x 2	2
9	1909775	Spacer, Throttle Lever	1
10	1983718	On/Off Ignition Switch.....	1
10A	1981012	Bracket - On/Off Ignition Switch	1
11	1766503	Phillips Hd. Screw, #12-24	1
12	1918051	Wire Assy. - On/Off Ignition Switch.....	1
13	1763682	Plastic Wire Tie	6
14	1917576	Lower Handlebar - Left-Side	1
15	1917575	Lower Handlebar - Right-Side.....	1
16	1909720	Foam Sleeve.....	1
17	1983663	Hex Hd. Screw, 1/4-20 x 5	2
18	710-0463	Flat Washer, 1/4-20.....	2
19	1110106	Hex Locknut, 1/4-20	5
20	*	Engine.....	1
21	1917531	Clutch Drum and Hub	1
22	1918124	Tine Shield (Incl. Refs. 23, 24, 25 & 26).....	1
23	777D06104	Decal - Logo	1
24	777S00012	Decal - Warning, Rotating Tines	1
25	777S30647	Decal - Warning, Hot Surfaces.....	1
26	777S00013	Decal - Caution, Operation Hazards	1
27	1186292	Hex Hd. Screw, #10-24 x 1/2	2
28	1186387	Flange Locknut, #10-24	2
29	736-0329	Lock Washer, 1/4-20.....	8
30	710-0501	Hex Cap Screw, 1/4-20 x 2.....	4
31	1909540	Outer Tine - Right-Hand Side	1

Ref. #	Part #	Description	Qty.
32	1909539	Inner Tine - Right-Hand Side	1
33	1909712	Outer Tine - Left-Hand Side	1
34	1909711	Inner Tine - Left-Hand Side.....	1
35	1909680	Wheel Bracket.....	1
36	GW-90077	Carriage Bolt	1
37	1909835	Knob	1
38	710-0597	Hex Hd. Screw, 1/4-20 x 1	3
39	1909517	Axle.....	1
40	1917754	Wheel.....	2
41	GW-9532	E-Ring.....	4
42	1185590	Ring Lock Pin	2
43	1981022	Tine Hood Cover	1
44	1763767	Knob	2
45	1177038	Lock Washer, 5/16	2
46	GW-90041	Hex. Hd. Screw, M6 x 20	4
47	1186332	Hex Flange Screw, 5/16-18 x 1-1/4.....	4
48	1917530	Adapter Plate - Engine	1
49	1917529	Adapter Plate - Transmission	1
50	1918365	Clutch Assy. (Incl. Refs. 55 and 56).....	1
51	**	Hex Hd. Screw, M8	2
52	**	Flat Washer, M8 x M17	2

EDGER ATTACHMENT

53	1903777	Edger Wheel.....	1
54	1903778	Bushing - Short	1
55	1983648	Bushing - Long	2
56	1915054	Edger Tine.....	1

OPTIONAL ATTACHMENTS

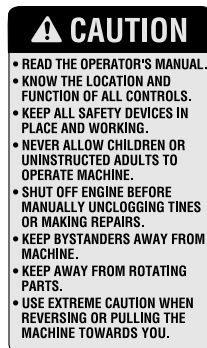
OEM-290-263	Power Lawn Rake Attachment	1
OEM-290-264	Lawn Aerator Attachment	1

* Order parts from your local authorized engine dealer. Refer to engine nameplate for model/type number.

** Not available separately.

SAFETY AND OPERATING DECALS

Decals are not shown at full size. See above Parts List for reordering information.



On top, left-side
tine shield



On top of handlebar



On rear, right-side
tine shield



On rear, left-
side tine shield



On right-side handlebar



On right-side
handlebar