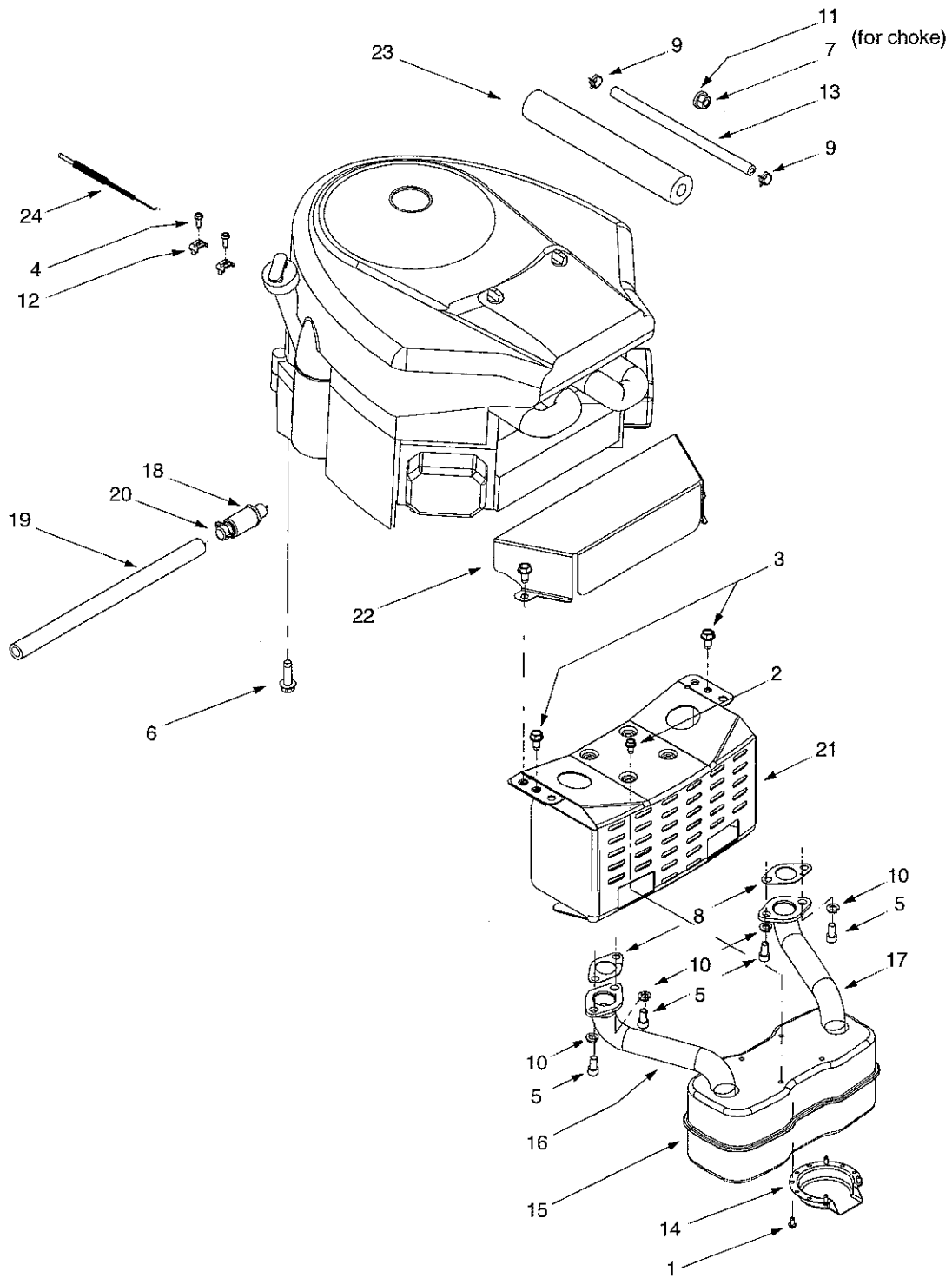


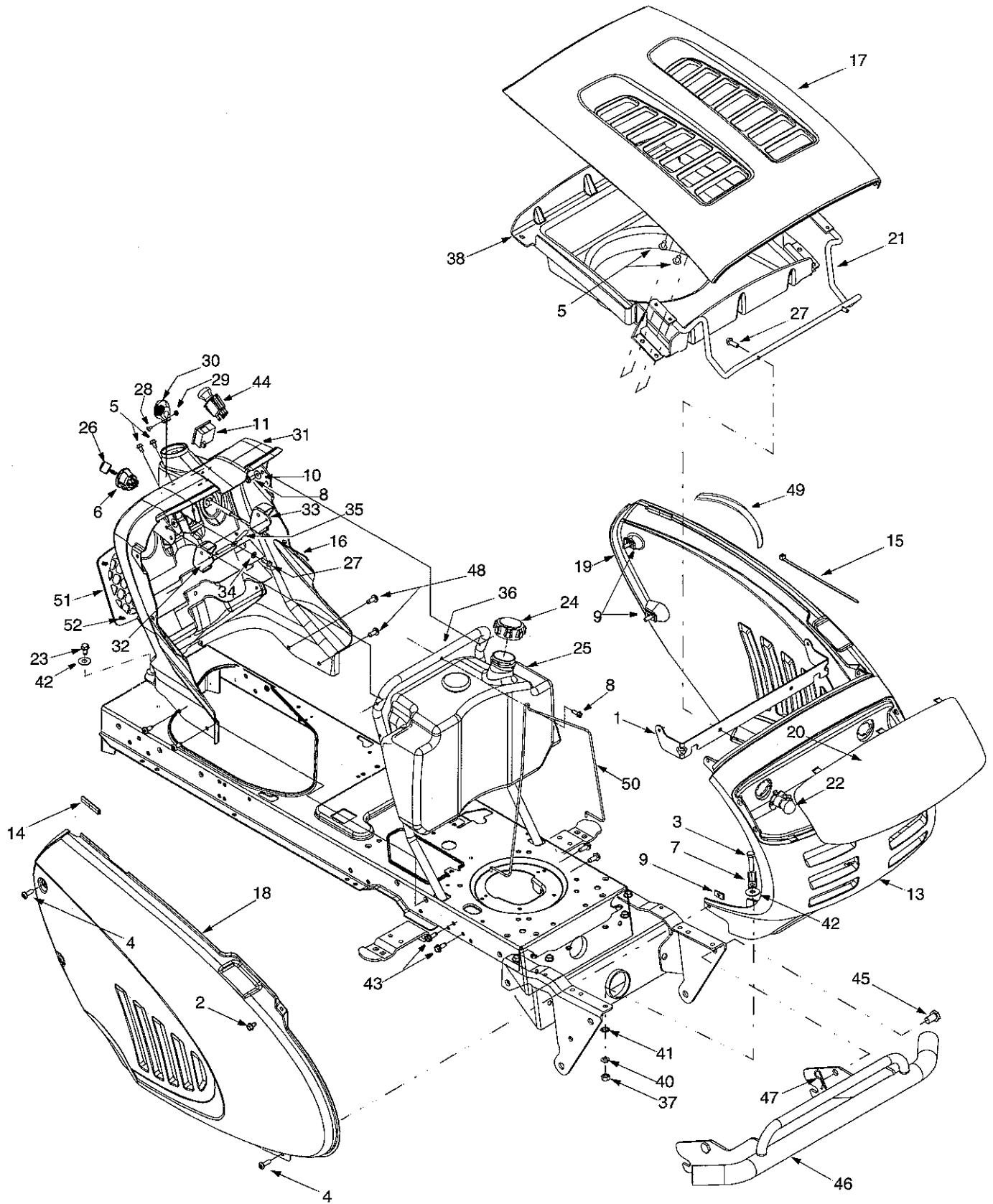
# SECTION 12: PARTS LIST FOR MODELS Z809H & Z809K



## Models Z809H & Z809K

REF. NO.	PART NO.	DESCRIPTION
1	710-0227	Self-tapping Screw, #8-18 x .5
2	710-0599	Self-tapping Screw, 1/4-20 x 5
3	710-0726	AB Screw, 5/16-12 x .75
4	710-1237	Screw, #10-32 x .625
5	710-1314A	Socket Cap Screw, 5/16-18 x .625
6	710-1315	Self-tapping Screw, 3/8-16 x 1.25
7	712-3017	Hex Nut, 3/8-16
8	721-0460	Exhaust Gasket
9	726-0205	Hose Clamp
10	736-0119	Lock Washer, 5/16
11	736-0300	Flat Washer
12	751B221535	Casing Clamp
13	751-0535	Fuel Line Hose
14	751-0564	Muffler Deflector
15	751-0616	Muffler, Twin Inlet
16	751-0650	RH Exhaust Pipe
17	751-0651	LH Exhaust Pipe
18	751-3140	Oil Drain Valve
19	751-3141	Oil Drain Hose
20	751-3142	Oil Drain Cap
21	783-0615B	Muffler Heat Shield
22	783-0625C	Engine Heat Shield
23	722-0263	Foam (fits over fuel line)
24	746-1086	Throttle Cable

# Models Z809H & Z809K

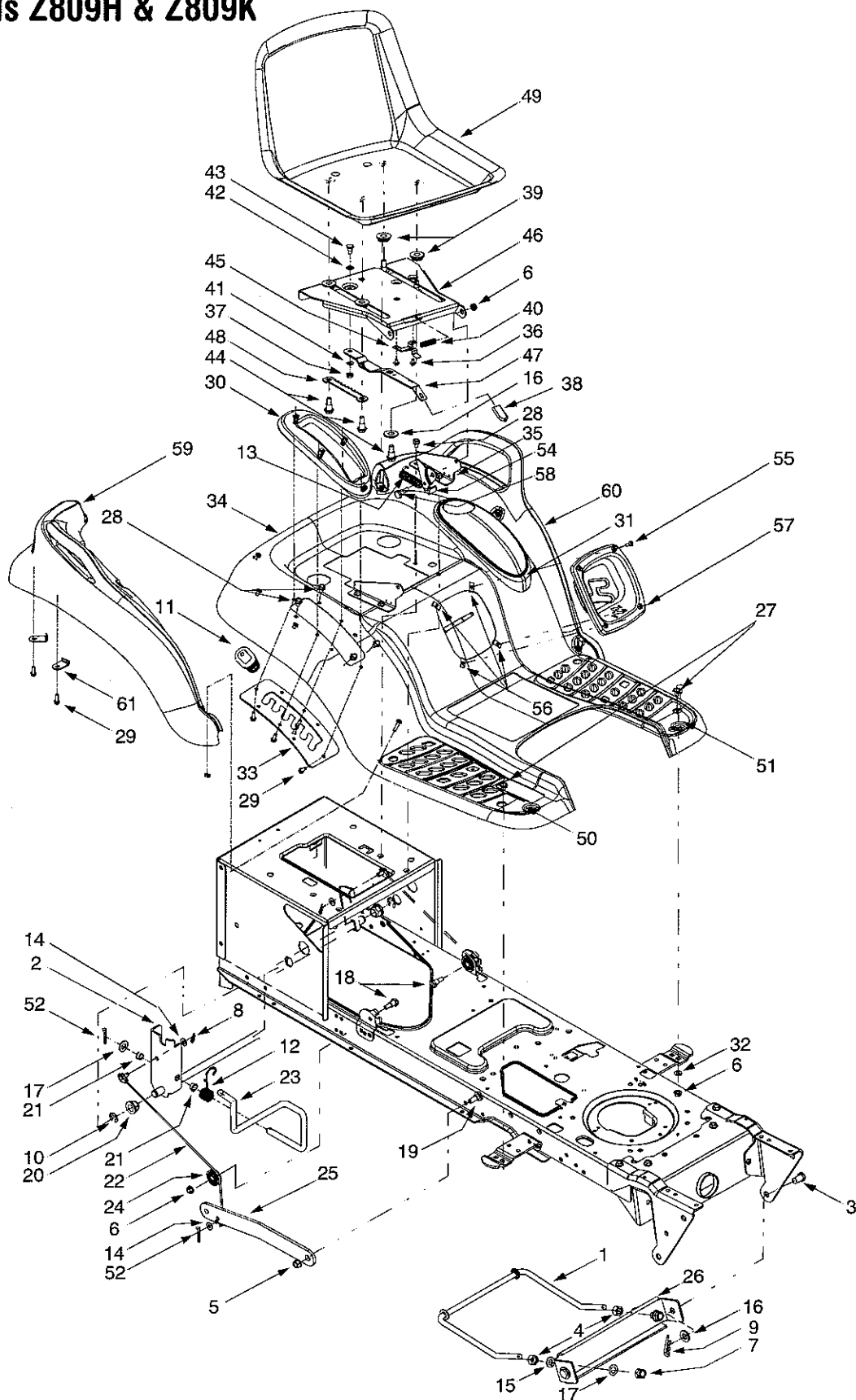


## Models Z809H & Z809K

REF. NO.	PART NO.	DESCRIPTION
1	783-1346	Grill Support Bracket (9-style)
2	710-0599	Self-tapping Screw, 1/4-20 x .5
3	710-0528	Hex Cap Screw, 5/16-18 x 1.25
4	710-0924	Phillips Pan Screw, 1/4-20 x .75
5	710-1017	Truss Phillips Screw, 1/4-20 x .625
6	725-1741	Ignition Switch
7	726-0272	Clamp, 9/16
8	710-0642	Self-tapping Screw, 1/4-20 x .75
9	712-0292	U-type Speed Nut, 1/4-20
10	736-0270	Bell Washer, .265 x .75 x .062
11	725-1976	Systems Indicator Monitor
12	712-3004A	Hex Nut, 5/16-18
13	731-2119A	Grille (9-style)
14	731-0511	Trim Strip, 4
15	725-0175	Cable Tie, 3/16 x .05 x 7.4
16	746-1085	Choke Knob/Cable
17	783-0783	Hood (9-style)
18	783-0784	RH Side Panel
19	783-04200	LH Side Panel
20	731-2637	Headlight Lens
21	747-2138	Hood Hinge Rod
22	625-0051	Headlight Assembly
23	710-0726	AB Screw, 5/16-12 x .75
24	751-0603	Fuel Cap
25	751-3213	Fuel Tank, 3 gallon
26	725-1745	Ignition Key w/ plastic cover
	725-1744	Ignition Key w/o plastic cover
27	710-0895	Self-tapping Screw, 1/4-15 x .75
28	710-3217	Truss Phillips Screw, #8-32 x .375
29	712-0142	Hex Nut, #8-32
30	731-1857	Throttle Control Knob
31	731-2225C	Dash Panel, 8/9-style, Electric PTO
32	731-04215	Cruise Control Button
33	731-04217	Parking Brake Button
34	736-0142	Flat Washer, 9/32 x 1/2 x 1/16
35	747-1196	Brake/Cruise Pivot Rod
36	749-1087C	Dash Support Tube
37	712-3010	Hex Nut, 5/16-18
38	731-2270	Hood Plenum*
39	726-3046	Ratchet Clip
40	736-0119	Lock Washer, 5/16
41	726-0201	Speed Nut, .3125
42	736-3078	Flat Washer, .349 x 1.0 x .063
43	710-0650	TT Screw, 5/16-18 x .875
44	725-1752	Electric PTO Switch
45	711-0332	Clevis Pin, 50 x .78
46	768-0010	Bumper Assembly
47	714-0145	Internal Cotter Pin
48	710-1611B	TT Screw 5/16-18 x 0.75
49	735-04019	Seal: Panel
50	747-04132	Tank Support Rod
51	735-04023	Cargo Net
52	726-3046	Ratchet Clip
—	629-0469A	Headlight Wire Harness
—	629-1067	Tractor Wire Harness

\*Not standard on all tractors.

# Models Z809H & Z809K



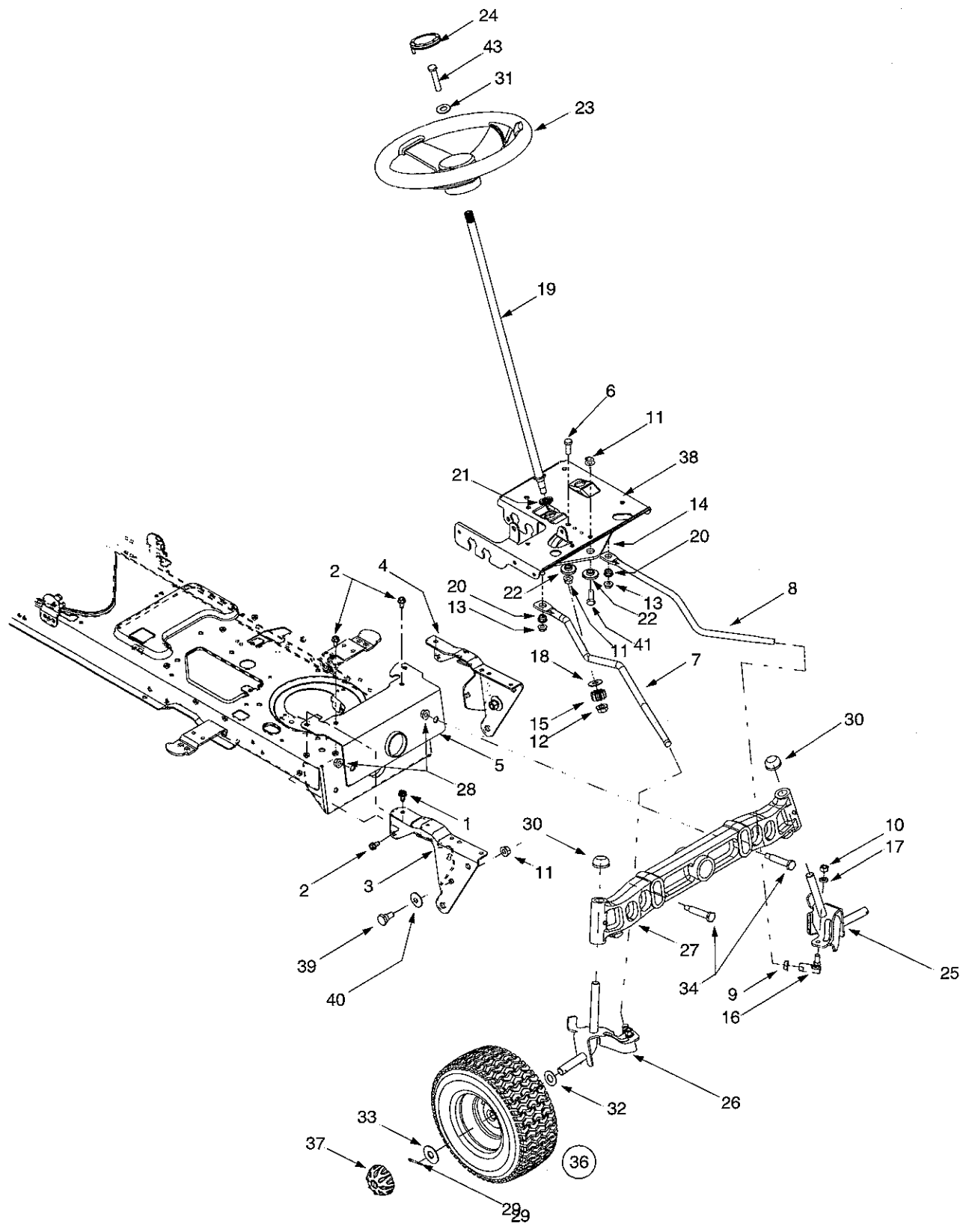
## Models Z809H & Z809K

REF. NO.	PART NO.	DESCRIPTION	REF. NO.	PART NO.	DESCRIPTION
1	747-1130B	Deck Stabilizer Rod (Model Z809H)	31	731-1993	Cover w/ Cup Holder
	747-1324	Deck Stabilizer Rod (Model Z809K)	32	736-3078	Flat Washer, .349 x 1 0 x .063
2	683-0197B	Lift Shaft Assembly (Model Z809H)	33	783-0677	Lift Adjustment Bracket
	683-0462	Lift Shaft Assembly (Model Z809K)	34	783-1280	Fender
3	711-0332	Clevis Pin, 5 x .78	35	783-1489	Seat Mounting Bracket
4	712-0206	Hex Nut, 1/2-13	36	710-1268	Screw, #10-16 x .375
5	712-0431	Flange Lock Nut, 3/8-16	37	712-3027	Hex Flange Lock Nut, 1/4-20
6	712-3004A	Flange Lock Nut, 5/16-18	38	720-0309A	Seat Adjuster Grip
7	712-3083	Hex Nut, 1/2-13	39	731-1989	Spacer
8	714-0104	Internal Cotter Pin	40	732-0499	Compression Spring, 41 x 1.5
9	714-0145	Internal Cotter Pin	41	736-0175	Spring Washer, .265 x .562 x .025
10	716-0106	E-Ring	42	736-0204	Flat Washer, .344 x .62 x .03
11	720-0311	Handle Grip	43	738-0137A	Shoulder Screw, .340 x .285, 1/4-20
12	732-0874	Torsion Spring	44	738-1007	Shoulder Screw, .50 x .50, 3/8-16
13	732-1184	Extension Spring, .84 x 4 6	45	783-0611	Seat Stop
14	736-0275	Flat Washer, 5/16	46	783-0738	Seat Pivot Bracket
15	736-0921	Lock Washer, 1/2	47	783-0739	Seat Adjustment Lever
16	736-3019	Flat Washer, .31 x 1.062 x .134	48	783-0753	Seat Adjustment Selector
17	736-3084	Flat Washer, .51 x 1.12 x .06	49	757-04010	High Back Seat, Black
18	738-0138A	Hex Cap Screw, 5/16-18 x .62	50	735-0656	RH Foot Pad
19	738-0143	Shoulder Screw, 3/8-16	51	735-0657	LH Foot Pad
20	741-0225	Hex Flange Bearing	—	726-3046	Foot Pad Clips
21	741-0715	Snap Flange Bearing	52	714-0111	Cotter Pin
22	746-0968	Lift Cable, 16.16	54	783-0209A	LH Seat Lift Bracket
23	747-1111A	Lift Handle	—	17239A	RH Seat Lift Bracket
24	756-1154	Roller Pulley	55	710-0924	Phillips Pan Screw, 1/4-20 x .75
25	783-0678A	Arm Lift	56	712-0292	U-type Speed Nut, 1/4-20
26	783-0720A	Deck Stabilizer Bracket	57	731-2480	Shift Lever Cover
27	710-0260A	Carriage Bolt, 5/16 x .62	58	738-0296	Shoulder Screw, .437 x .286
28	710-0726	AB Screw, 5/16-12 x .75	59	731-2618	RH Fender Flare
29	710-0895	Self-tapping Screw, 1/4-15 x .75	60	731-2619	LH Fender Flare
30	731-1990	Lift Lever Cover	61	783-1478	Fender Clips

**NOTE:** For **Painted parts**, please refer to the list of color codes below. Please add the applicable color code, wherever needed, to the part number to order a replacement part. For instance, if a part numbered 700-xxxx is painted Powder Black, the part number to order would be 700-xxxx-0637.

Red: 0638  
Oyster Gray: 0662  
Powder Black: 0637

# Models Z809H & Z809K



## Models Z809H & Z809K

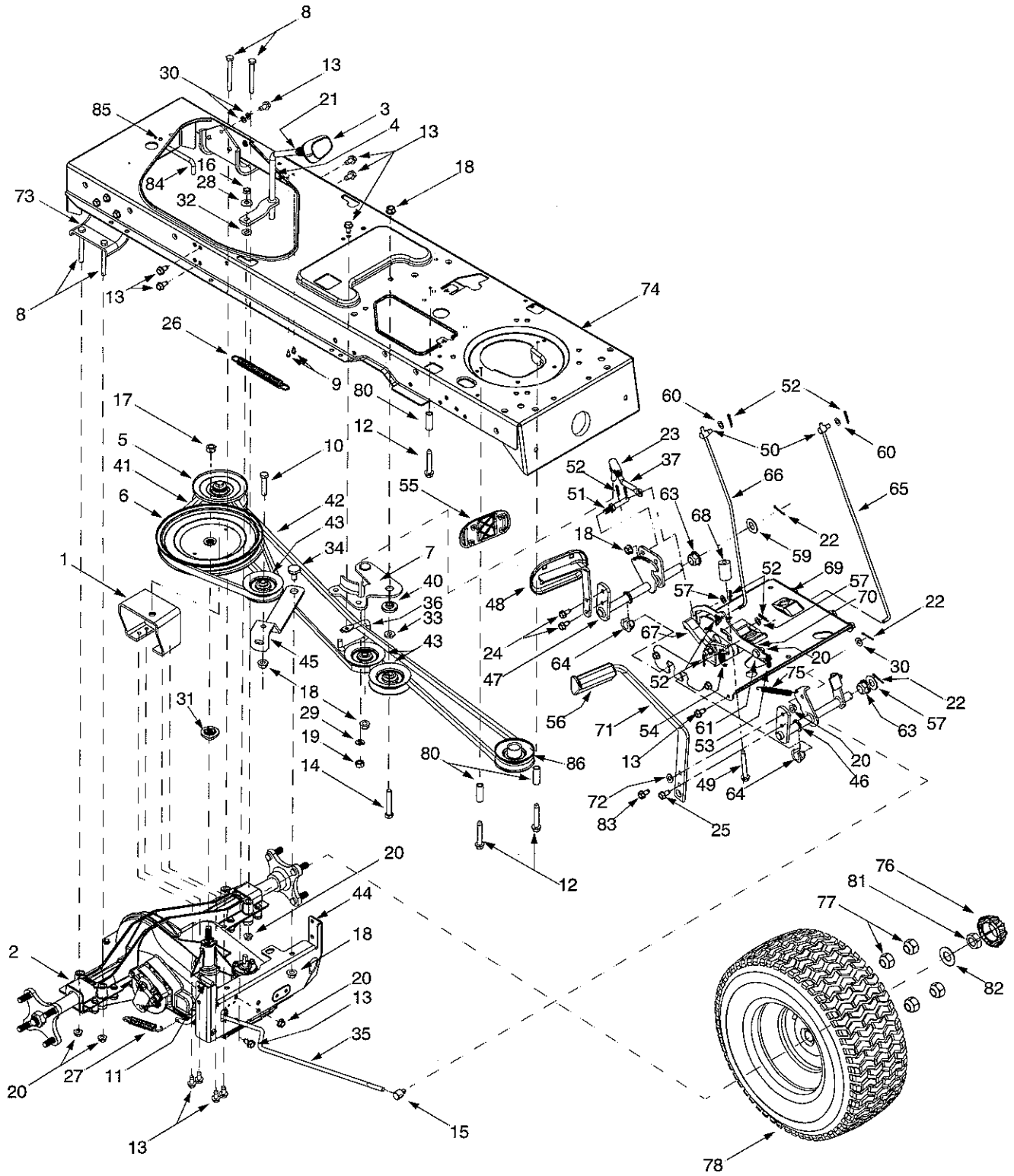
REF. NO.	PART NO.	DESCRIPTION
1	710-1260A	Self-tapping Screw, 5/16-18 x .75
2	710-0604A	Self-tapping Screw, 16-18 x .625
3	783-0726B	RH Pivot Support Bracket
4	783-0727A	LH Pivot Support Bracket
5	783-0728	Pivot Bar Bracket
6	710-0514	Hex Cap Screw, 3/8-16 x 1 (Grade 5)
7	711-1408	RH Drag Link
8	711-1409A	LH Drag Link
9	712-0240	Jam Nut, 7/16-20 (Grade 2)
10	712-0241	Hex Nut, 3/8-24 (Grade 2)
11	712-0431	Flange Lock Nut, 3/8-16
12	712-0459	Flange Lock Nut, 7/16-20
13	712-3004A	Flange Lock Nut, 5/16-18
14	717-1550D	Steering Gear, 11/90 Ratio
15	717-1554	Steering Pinion Gear
16	723-0448A	Ball Joint, 7/16-20
17	736-0169	Lock Washer, 3/8
18	736-3084	Flat Washer, .51 x 1.12 x .06
19	738-1001A	Steering Shaft, .625 OD x 24.4
20	741-0475	Plastic Bushing, .38 ID
21	741-0656	Hex Flange Bearing, 5/8
22	738-0372B	Shoulder Spacer, .38 ID
23	731-2624	Steering Wheel, Soft Grip, Three Spoke
24	731-2625	Steering Wheel Cap, Round
25	638-0017	LH Axle Assembly, .75 Diameter
26	638-0018	RH Axle Assembly, .75 Diameter
27	719-0525B	Cast Iron Pivot Bar w/ Fittings, .75
28	712-0431	Flange Lock Nut, 3/8-16
29	714-0162	Cotter Pin
30	726-0341	Push Cap, 750
31	736-0242	Bell Washer, .34 x .872
32	736-0316	Flat Washer, .78 x 1.59 x .06
33	736-0285	Flat Washer, .635 x 1.589 x .06
34	738-1011	Shoulder Screw, .5 x 2.2, 3/8-16
35	710-0643	Hex Bolt, 5/16-18 X 1
36	634-0183	Wheel Assembly Complete, 16 x 6.5 x 8
	634-0182	Rim Only w/ Plastic Bearing
	734-0255	Air Valve (Not Shown)
	734-1727	Tire Only, Square Shoulder
37	734-2290	Hub Cap
38	783-0653E	Steering Support Bracket
39	738-0143	Shoulder Screw, 3/8-16
40	736-0331	Bell Washer, .39 x 1.13 x .062
41	710-04095	Hex Bolt 3/8-16 x 1.0 Special

**NOTE:** For painted parts, please refer to the list of color codes below. Please add the applicable color code, wherever needed, to the part number to order a replacement part. For instance, if a part numbered 700-xxxx is painted Powder Black, the part number to order would be 700-xxxx-0637.

Red: 0638  
Oyster Gray: 0662  
Powder Black: 0637



# Models Z809H & Z809K



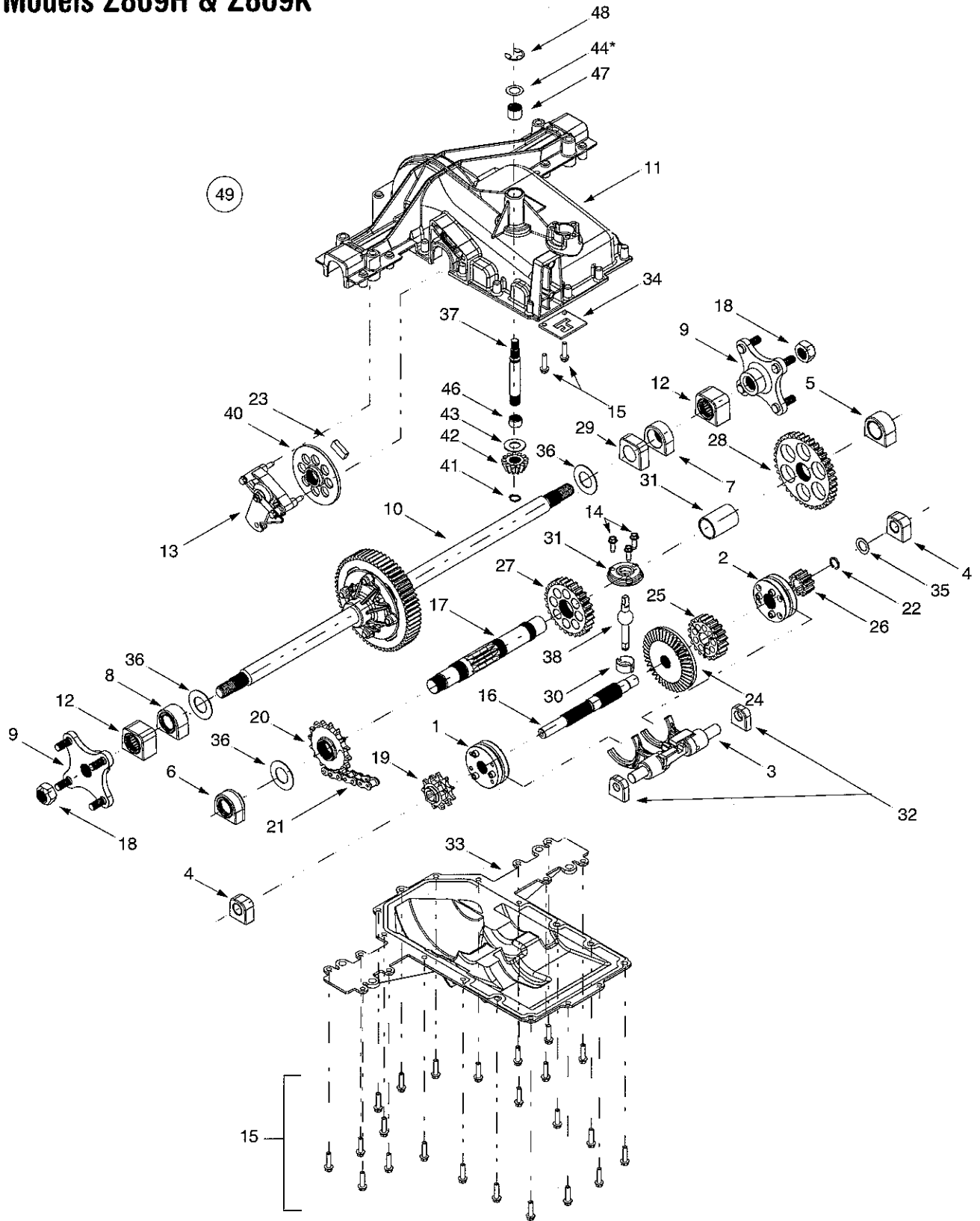
# Models Z809H & Z809K

REF. NO.	PART NO.	DESCRIPTION	REF. NO.	PART NO.	DESCRIPTION
1	618-0375	Variable-speed Bracket Assembly	45	783-0669	Idler Bracket
2	618-0376	Two-speed Transmission Assembly	46	647-0031B	Brake Control Shaft Assembly
3	631-0009A	Shfter Knob	47	647-0032	Speed Control Shaft Assembly
4	647-0037	Shift Lever	48	683-0266	Drive Pedal Assembly
5	656-0050	Variable-speed Pulley Assembly	49	710-1135	Self Tapping Screw, 5/16-18 x 2.5
6	756-0665	Transmission Pulley, 8.5	50	711-0736	Ferrule, 1/4-20
7	683-0251	Double-Idler Bracket	51	711-1363	Pin, 3/8-16 x 2.43
8	710-0176	Hex Cap Screw, 5/16-18 x 2.75	52	714-0104	Cotter Pin
9	710-0227	Self Tapping Screw, #8-18 x .5	53	732-0437	Compression Spring, .34 OD x 1.0
10	710-0347	Hex Cap Screw, 3/8-16 x 1.75	54	732-0955	Extension Spring, .5 OD x 1.41
11	710-0805	Hex Cap Screw, 5/16-18 x 1.5	55	735-0662	Drive Pedal Pad
12	710-0809	Self-tapping Screw, 1/4-20 x 1.25	56	735-3049	Brake Pedal Pad
13	710-0726	AB Screw, 5/16-12 x .75	57	736-0140	Flat Washer, 281 x .5 x .0625
14	710-3011	Hex Cap Screw, 3/8-16 x 2.25	59	736-0187	Flat Washer, .64 x 1.24 x .06
15	711-0677	Ferrule, 5/16 x .312 Dia.	60	736-0204	Flat Washer, 344 x .062 x .03
16	712-0181	Hex Jam Nut, 3/8-16	61	738-0155	Shoulder Screw, .437 x 1.62
17	712-0702	Hex Flange Nut, 7/16-20	62	738-0507B	Shoulder Screw, .5 x .434
18	712-0431	Flange Lock Nut, 3/8-16	63	741-0225	Hex Flange Bearing
19	712-0798	Hex Nut, 3/8-16	64	741-3065B	Split Hex Flange Bearing
20	712-3004A	Flange Lock Nut, 5/16-18	65	747-04096	Cruise Control Rod
21	712-3008	Hex Jam Nut, 3/8-16	66	747-04093	Brake Lock Control Rod
22	714-0111	Cotter Pin	67	748-0413	Cruise Latch
23	723-3018	Ball Joint, 3/8-24	68	748-0415B	Spacer, 5/16 x 1.54
24	710-1260A	LD Screw 5/16-18 x 0.75	69	783-0653F	Steering Support Bracket
25	710-0650	TT Screw 5/16-18 x 0.875	70	783-0732	Drive Lockout Bracket
26	732-0384	Extension Spring, 62 Dia. x 6.12	71	783-0773	Brake Pedal
27	732-0716	Extension Spring, 59 OD x 4.0	72	736-3008	Flat Washer, 344 x .750 x .120
28	736-0105	Bell Washer, .401 x .870 x .063	73	783-0693	Axle Bracket
29	736-0169	Lock Washer, 3/8	74	683-0304A	Lower Frame Assembly
30	736-0275	Flat Washer, 5/16	75	732-0963	Extension Spring, .5 OD x 6.37
31	718-0771	Pulley Hub, 1/2 Spline	76	731-2290	Hub Cap
32	736-0642	Flat Washer, 44 x .75 x .06	77	712-3050	Lug Nut, 7/16-14
33	736-3010	Flat Washer, 407 x .812 x .135	78	634-0132	Wheel Assembly Complete, 23 x 9.5 x 12
34	738-0322	Shoulder Screw, .625 Dia. x .21		634-0182	Rim Only
35	747-1122	Brake Rod		734-0255	Air Valve
36	747-1123A	Belt Guard		734-1728	Tire Only, Square Shoulder.
37	747-1127	Idler Adjustment Rod, 3/8	79	750-0768	Split Spacer, .25 x .37 x 1.32
38	710-1026	Self-tapping Screw, 1/4-20 x 1.75	80	750-0566A	Spacer, .372 x .26 x 1.03
39	747-1185	Transmission Belt Guard Rod	81	712-3026	Jam Nut, 3/4-16
40	738-0372B	Shoulder Spacer, .380 ID	82	736-0316	Flat Washer, .78 x 1.59 x .06
41	754-0468	Variable-speed Belt	83	710-1611B	TT Screw, 5/16-18 x .75
42	754-0467	Drive Belt	84	747-1185	Transmission Belt Guard Rod
43	756-0981A	Flat Idler, 2.75 OD	85	710-0599	Self Tapping Screw, 1/4-20 x .5
44	783-0667B	Transmission Torque Bracket	86	756-0639A	Engine Pulley, 3.56"

**IMPORTANT:** For a proper working machine, use Factory Approved Parts. **V-belts** are designed to engage and disengage safely. A substitute (non OEM) V-belt can be dangerous by not disengaging completely.

**NOTE:** For **painted parts**, please refer to the list of color codes below. Please add the applicable color code, wherever needed, to the part number to order a replacement part. For instance, if a part numbered 700-xxxx is painted Powder Black, the part number to order would be 700-xxxx-0637.  
 Red: 0638  
 Oyster Gray: 0662  
 Powder Black: 0637

# Models Z809H & Z809K



## Models Z809H & Z809K

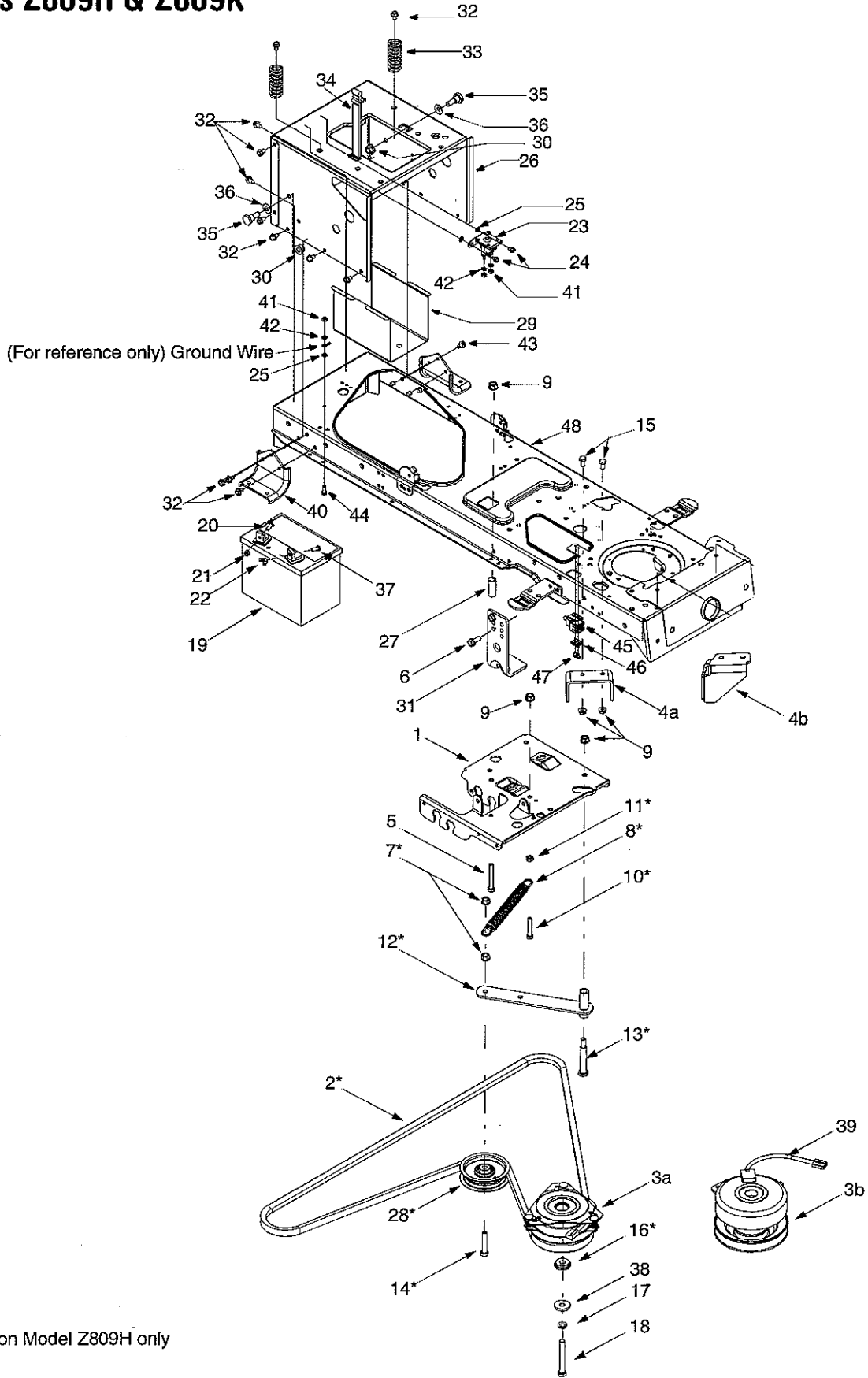
REF. NO.	PART NO.	DESCRIPTION
1	618-0225	Reverse Collar Assembly
2	618-0226	Hi-Lo Collar Assembly
3	618-0227A	Shift Fork Assembly
4	618-0284	Detent Block Assembly
5	618-0285	Output Bearing Block Assembly
6	618-0286	Output Seal Bearing Block Assembly
7	618-0287	Inboard Sealed Axle Block Assembly
8	618-0302	Inboard Sealed Axle Block Assembly
9	618-0365	Wheel Hub Assembly
10	618-0368	Differential Axle Assembly
11	719-0379A	Upper Housing
12	641-0002A	Axle Bearing Block Assembly
13	661-0012	Brake Assembly
14	710-0642	Self-tapping Screw, 1/4-20 x .75
15	710-0788	Self-tapping Screw, 1/4-20 x 1.0
16	711-1051A	Drive Shaft
17	711-1216	Output Shaft
18	712-1329	Nut, 3/4-16
19	713-0446	9-tooth Sprocket
20	713-0447	16-tooth Sprocket
21	713-0448	22-link Chain, .625
22	716-0131	External Snap Ring
23	717-0678	Brake Pad
24	717-1438	41-tooth Bevel Gear
25	717-1439	20-tooth Spur Gear
26	717-1440	10-tooth Spur Gear
27	717-1441	27-tooth Spur Gear
28	717-1442	37-tooth Spur Gear
29	718-0500	Inner Axle Bearing Block
30	718-0504	Shifter Insert
31	718-0505	Shifter Cover
32	718-0537	Shifter Bearing Block
33	719-0385	Lower Housing
34	718-0540	Lockout Plate
35	736-0337	Flat Washer, 5/8 x 1.0
36	736-3046A	Flat Washer, 1 01 x 1 86 x .060
37	711-1235	Input Shaft
38	747-1140	Shift Lever
39	750-1033A	Spacer, 1 13 x 1 38 x 1.968
40	761-0215	Disc Brake
41	716-0114	Retaining Ring, .56
42	717-1463	13-tooth Bevel Gear
43	736-0335	Flat Washer
44	736-0336	Flat Washer, 5/8 x 1.0 x .030*
	736-0337	Flat Washer, 5/8 x 1.0 x .040*
	736-0349	Falt Washer, 5/8 x 1.0 x .020*
46	741-0335	Needle Bearing
47	741-0696	Needle Bearing
48	716-0231	E-ring, .75
49	618-0376	Transmisssion Assembly Complete

**NOTE:** Transmission has a grease capacity of 32 oz. Order part number 737-0148.

**NOTE:** Upon reassembling transmission input shaft for any reason, refill its cavity with approximately 2/3 oz. of grease. Order part number 737-0289.

\*Use applicable flat washer (12a, 12b or 12c) in this application allowing proper end-play as instructed in *Troy-Bilt's* Service Manual.

# Models Z809H & Z809K



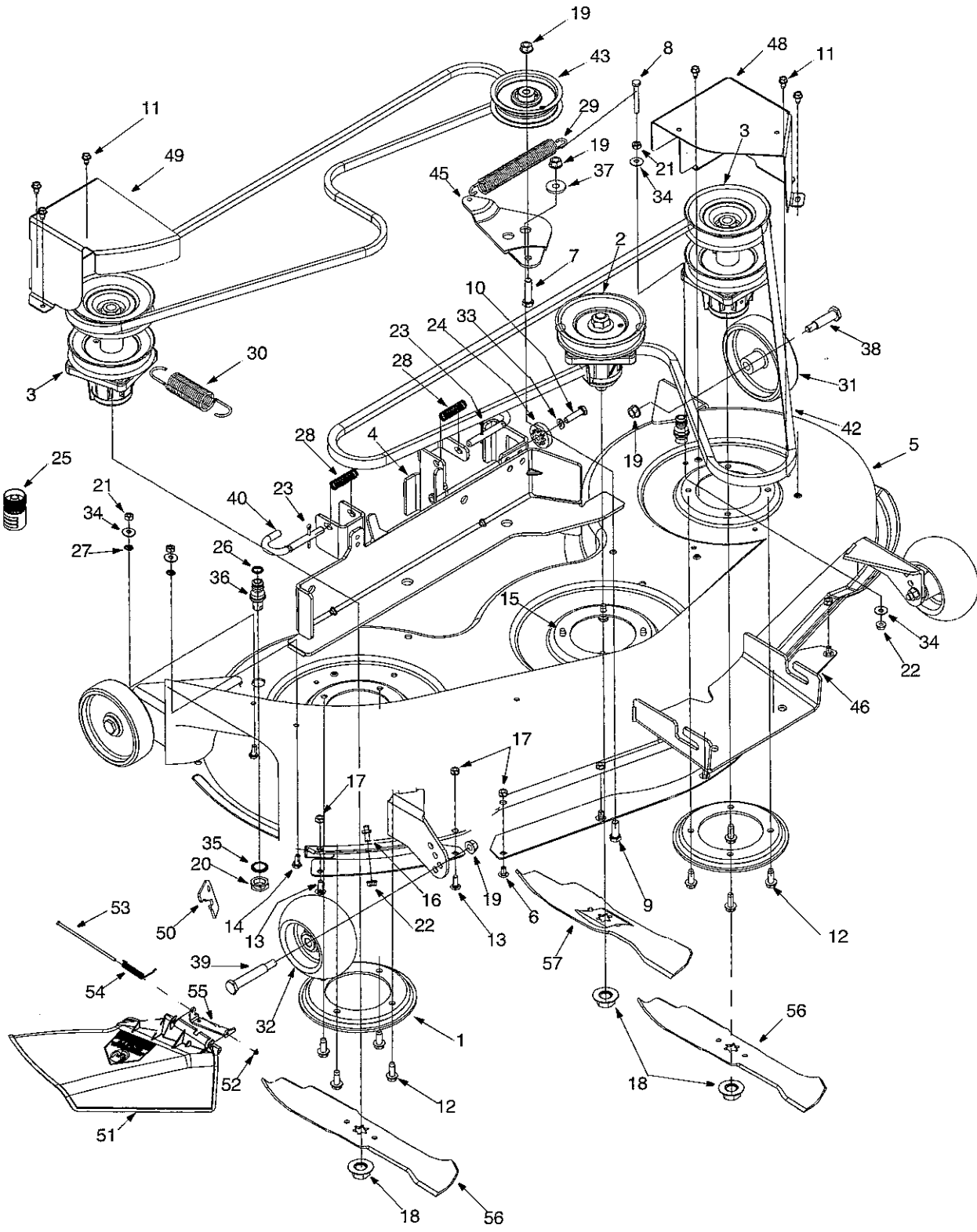
# Models Z809H & Z809K

REF. NO.	PART NO.	DESCRIPTION	REF. NO.	PART NO.	DESCRIPTION
1	783-0653E	Steering Support Bracket	24	710-0599	Self Tapping Screw, 1/4-20 x .5
2	754-0476	PTO Belt	25	736-0222	Lock Washer, 1/4
3a	717-1709	Elec. PTO Clutch (Mod. Z809H)	26	783-1033A	Hitch Plate
3b	717-1774	Elec. PTO Clutch (Mod. Z809K) (Incl. # 39)	27	748-0415B	Spacer, 3/8 x 1 5/4
4a	783-1003	PTO Clutch Anti-rot. Brakt (Model Z809H)	28	756-0627B	Idler Pulley, 3.5
4b	783-1487	PTO Clutch Anti-rot. Brakt (Model Z809K)	29	783-0349	Battery Tray
5	710-0859	Hex Cap Screw, 3/8-16 x 2.5	30	712-0459	Flange Lock Nut, 7/16-20
6	710-1238	Hex Head Washer Screw, 5/16-18 x .875	31	783-0891B	Deck Stop
7	712-0431	Flange Lock Nut, 3/8-16	32	710-0604A	Self Tapping Screw, 5/16-18 x .625
8	732-0978	Extension Spring, .62 x 5 6/2	33	732-3080	Compression Spring, 1.28 x 3 5
9	712-3004A	Flange Lock Nut, 5/16-18	34	723-0444	Battery Strap
10	710-3180	Hex Cap Screw, 5/16-18 x 1.75	35	738-1020	Shoulder Screw, .625 x .5, 7/16-20
11	712-3010	Hex Nut, 5/16-18	36	736-0407	Bell Washer, .45 x 1.0 x .062
12	683-0294	Idler Bracket Assembly	37	738-1132	Shoulder Screw, 1/4-20, .25 x .15
13	738-3056	Shoulder Screw, 1/2 x 2.5	38	736-0322	Flat Washer, .45 x 1.25 x .164
14	710-3144	Hex Cap Screw, 3/8-16 x 2.0	39	629-04047	Harness Assembly, Electric PTO Clutch
15	710-3025	Hex Cap Screw, 5/16-18 x .625	40	783-0693	Axle Bracket
16	738-0785	Shoulder Spacer, 1 3/8 x .445 x .36	41	712-3006	Hex Nut 1/4-20
17	736-0171	Lock Washer, 7/16	42	736-0329	Lock Washer
18	710-3157	Hex Cap Screw, 7/16-20 x 3.25	43	710-0607	TT Screw 5/16-18 x 0.5
19	725-1706	12-volt Battery, 270 CCA	44	710-0642	TT Screw 1/4-20 x 0.75
20	710-0751	Hex Cap Screw, 1/4-20 x .62	45	725-1657A	Switch
21	712-0271	Hex Sems Nut, 1/4-20	46	17962	Switch Plate
22	712-3087	Wing Nut, 1/4-20	47	710-0224	AB Screw #10-16 x 0 5
23	725-1426	Solenoid, 12-Volt, 100 Amp	48	683-0304C	Lower Frame Assembly

**IMPORTANT:** For a proper working machine, use Factory Approved Parts. **V-belts** are designed to engage and disengage safely. A substitute (non OEM) V-belt can be dangerous by not disengaging completely.

**NOTE:** For painted parts, please refer to the list of color codes below. Please add the applicable color code, wherever needed, to the part number to order a replacement part. For instance, if a part numbered 700-xxxx is painted Powder Black, the part number to order would be 700-xxxx-0637.  
 Red: 0638  
 Oyster Gray: 0662  
 Powder Black: 0637

# Model Z809H



# Model Z809H

REF. NO.	PART NO.	DESCRIPTION
1.	17982	Spindle Reinforcement Plate
2.	618-0430A	Spindle Assembly, 5 0 Dia.
	756-1187	Pulley Only
3.	618-0595	Double Pulley Spindle Assembly
	756-0603	Double Pulley Only
4.	683-0254	Deck Adjustment Bracket Assembly
5.	683-04053	46-inch Deck Assembly
6.	710-0167	Carriage Screw, 1/4-20 x .50
7.	710-0344	Hex Cap Screw, 3/8-16 x 1.5
8.	710-0501	Hex Cap Screw, 1/4-20 x 2.0
9.	710-0514	Hex Cap Screw, 3/8-16 x 1.0
10.	710-0528	Hex Cap Screw, 5/8-18 x 1.25
11.	710-0599	Self-tapping Screw, 1/4-20 x .5
12.	710-0650	Self-tapping Screw, 5/16-18 x .875
13.	710-0703	Hex Screw, 1/4-20 x .75
14.	710-0751	Hex Cap Screw, 1/4-20 x .62
15.	710-1260A	Self-tapping Screw, 5/16-18 x .75
16.	711-04069	Grasscatcher Pin
17.	712-0271	Hex Sems Nut, 1/4-20
18.	712-0417A	Hex Flange Nut, 5/8-18
19.	712-0431	Flange Lock Nut, 3/8-16
20.	712-0641	Hex Nut M16
21.	712-3006	Hex Nut, 1/4-20
22.	712-3027	Hex Flange Lock Nut, 1/4-20
23.	714-0470	Cotter Pin, 1/8 x 1.25
24.	717-1553B	Deck Adjustment Gear
25.	721-04041	Nozzle Adapter
27.	726-0233	Push Nut .25 x .5
28.	732-0306	Compression Spring, .406 x .531 x 1.75
29.	732-0594A	Extension Spring, .91 x 7.3
30.	732-0934	Extension Spring
31.	734-0973	Deck Wheel
32.	734-3058B	Deck Wheel
33.	736-0119	Lock Washer, 5/16
34.	736-0270	Bell Washer, .265 x .75 x .062
35.	736-0760	Lock Washer
36.	737-04003	Nozzle: Deck Wash-Out System
37.	738-0347	Shoulder Spacer, .625 x 1.16
38.	738-0373	Shoulder Screw
39.	738-3056	Shoulder Screw
40.	747-1116	Deck Release Pin
41.	754-0349	Deck Belt, Poly
42.	754-0476	V-Belt
43.	756-0627B	Idler Pulley, 3.5
45.	783-0139A	Idler Bracket
46.	783-0141	Center Deck Skirt
47.	783-0142	RH Deck Skirt
48.	783-1347A	LH Belt Cover
49.	783-1450	RH Belt Cover
50.	783-1025	Chute Stop
51.	731-1032B	Chute Deflector: Side Discharge
52.	726-0106	Speed Nut
53.	711-0792	Hinge Pin
54.	703-1693A	Mounting Bracket
55.	732-0602	Torsion Spring
56.	742-0611	Blade: 16.28" Star
57.	742-0612	Blade: 14.88" Star

**IMPORTANT:** For a proper working machine, use Factory Approved Parts. **V-belts** are designed to engage and disengage safely. A substitute (non OEM) V-belt can be dangerous by not disengaging completely.