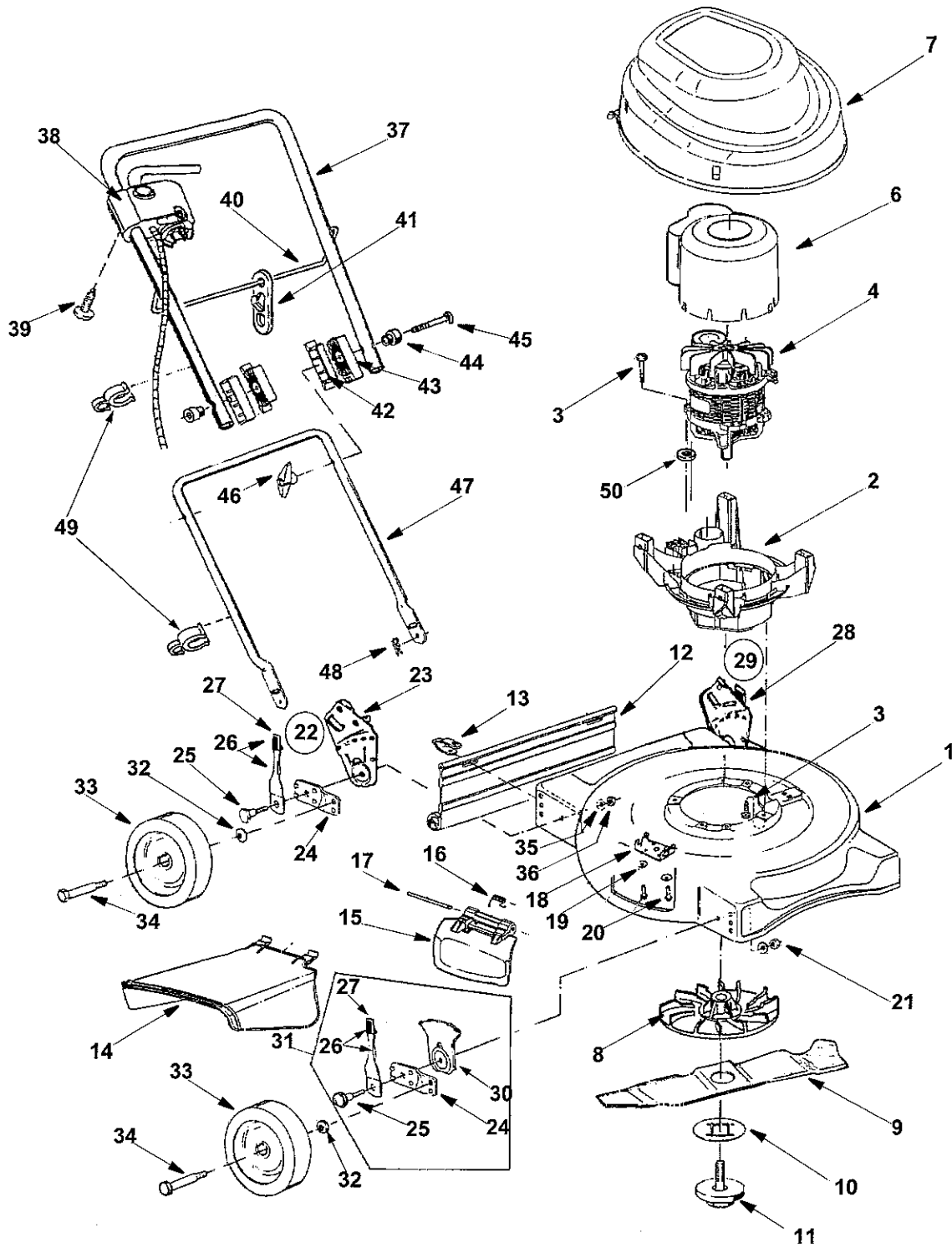


SECTION 11: PARTS LIST FOR MODEL 717



Model 717

REF. NO.	PART NO.	DESCRIPTION
1	682-0263-0709	18" Deck
2	731-2425	Motor Base
3	710-1756	Screw, M7 x 25
4	724-0309	Electric Motor, 115V, 1500W
6	731-2400	Air Guide Cover
7	731-2401-0637	Hood
8	631-0132	Blade Hub Assembly
9	742-0827	Mulching Blade
10	782-7051	Blade Locking Plate
11	624-0078	Blade Screw
12	731-2415	Trailing Shield
13	17098	Hinge Clip
14	731-1409B	Side Discharge Deflector
15	682-7002	Mulch Plug
16	732-0731	Torsion Spring
17	747-0710	Hinge Pin
18	782-7006	Hinged Plug Mounting Bracket
19	736-0270	Beleville Washer
20	710-0599	Screw
21	712-0431	Flange Lock Nut
22	682-3000A	Handle Bracket Assy. RH (Includes #23-27)
23	782-3000A	Handle Bracket RH
24	15262B	Pivot Bar
25	738-0507B	Shoulder Bolt
26	14832	Lever and Knob Assy. (Incl #27)
27	720-0426	Height Adjustment Knob
28	782-3001A	Handle Bracket LH
29	682-3001A	Handle Bracket Assembly LH (Includes #24-28)
30	15261A	Adjusting Plate
31	14578	Height Adjustment Assembly RH (Includes #24-27,30)
	14579	Height Adjustment Assembly LH (Includes #24-27,30)
32	736-0105	Bell Washer
33	734-1987	Wheel
34	738-0102	Axle Bolt
35	736-0356	Bell Washer
36	712-0798	Nut
37	749-1310-0637	Upper Handle
38	725-04074	Switch Plug Combination
39	710-1757	Screw
40	747-1094	Guide Rod
41	726-0368	Cord Restraint
42	731-1267	Lower Handle Insulator
43	731-1268	Upper Handle Insulator
44	731-1388	Insulating Knob Spacer
45	710-0450	Carriage Bolt
46	720-0241	Wing Nut
47	749-0885	Lower Handle
48	714-0104	Internal Cotter Pin
49	731-2422	Cable Guide
50	736-0695	Washer