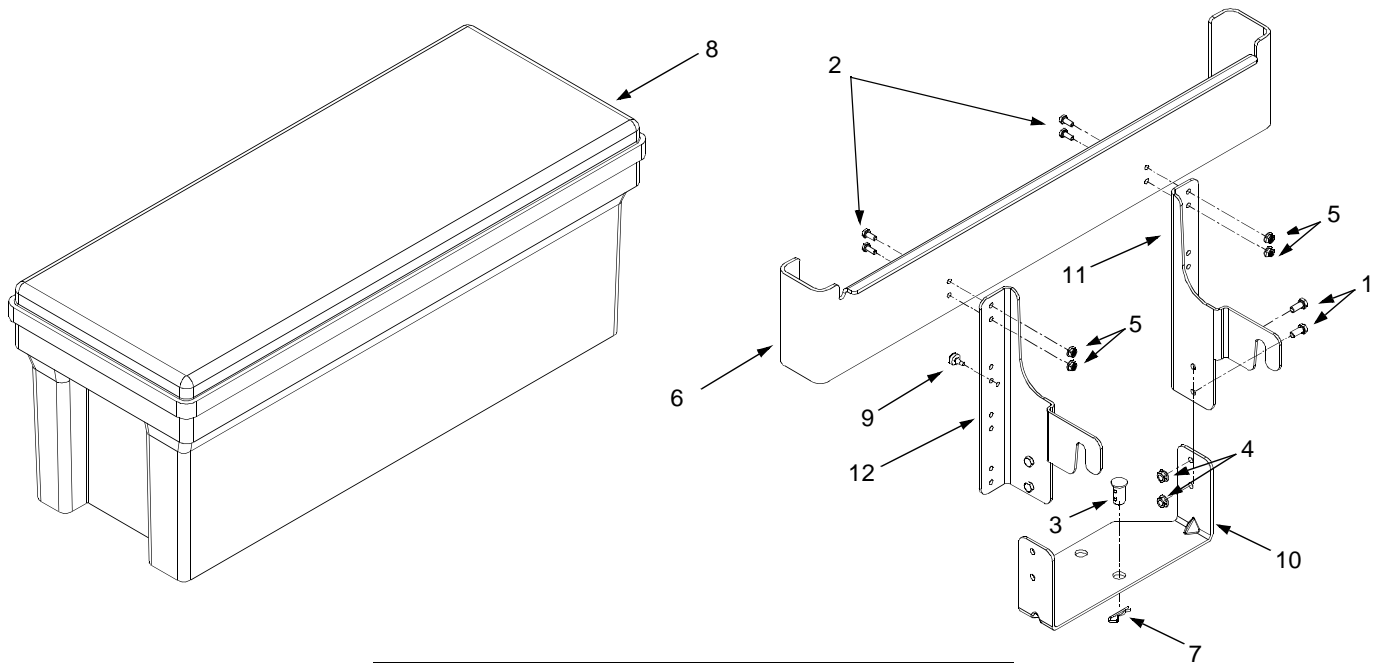


Model Series 604



| REF. NO. | PART NO. | DESCRIPTION |
|----------|-----------|-------------------------------|
| 1 | 710-3008 | Hex Cap Screw, 5/16-18 x .75 |
| 2 | 710-0751 | Hex Cap Screw, 1/4-20 x .62 |
| 3 | 711-0309A | Clevis Pin |
| 4 | 712-3004A | Hex Flange Lock Nut, 5/16-18 |
| 5 | 712-3027 | Hex Flange Lock Nut, 1/4-20 |
| 6 | 783-0777 | Tool Box Support Bracket |
| 7 | 714-0117 | Internal Cotter Pin, .148 x 3 |
| 8 | 731-2110 | Plastic Tool Box |
| 9 | 735-0271 | Bumper, .62 Dia. x .3 |
| 10 | 783-0765 | Cross Support Bracket |
| 11 | 783-0764 | LH Support Bracket |
| 12 | 783-0673 | RH Support Bracket |