

Operator's Manual

Mulch Kit

For Garden Tractors with a 54-inch Deck

Model
OEM-190-841

MTD LLC, P.O. BOX 361131 CLEVELAND, OHIO 44136-0019

PRINTED IN U.S.A.

FORM NO. 770-10591
(1/02)

CALLING CUSTOMER SUPPORT

If you have difficulty assembling this product or have any questions regarding the controls, operation or maintenance of this unit, please call the Customer Support Department.



Call 1- (330) 220-4MTD (4683) or 1- (800)-800-7310 to reach a Customer Support representative. Please have your unit's model number and serial number ready when you call. See previous section to locate this information. You will be asked to enter the serial number in order to process your call.

For more details about this unit, visit our website at www.mtdproducts.com

CONTENTS OF CARTON

Before beginning installation, remove all parts from the carton to make sure everything is present. Carton contents are listed below. Part numbers are shown in parentheses.

One Mulching Baffle (603-0396)
Three 18.50" Mulching Blades (742-0678)
Three 3/8-16 Flange Lock Nut (712-0431)
Two 3/8-16 x 2.75 Hex Cap Screw (710-3022)
One 3/8-16 x 1.75 Hex Cap Screw (710-0347)

SECTION 1: INSTALLATION

NOTE: References to *LEFT* and *RIGHT* indicate the left and right sides of the tractor when facing forward in the operator's position. Reference to the *FRONT* indicates the grille end; to the *REAR* the drawbar end.



WARNING: Before beginning installation, place the tractor on a firm and level surface. Place the PTO in the disengaged (OFF) position, stop the tractor engine and set the parking brake.



WARNING: Cutting blades are sharp. Always protect hands by wearing heavy leather work gloves to grasp blades.

Mounting The Mulching Blades

- Remove the cutting deck from beneath the tractor, (refer to DECK REMOVAL in the MAINTENANCE section of your tractor's Operator's Manual for detailed instructions) then gently flip the deck over to expose its underside.
- Place a block of wood between the center deck housing baffle and the cutting blade to act as a stabilizer. See Figure 1.
- Use a 15/16" wrench to remove the hex flange nut that secures the blade to the spindle assembly.

NOTE: The hex flange nut has a right-handed thread pattern. Do NOT attempt to force the nut in the incorrect direction. Doing so may damage the nut and create a safety hazard.

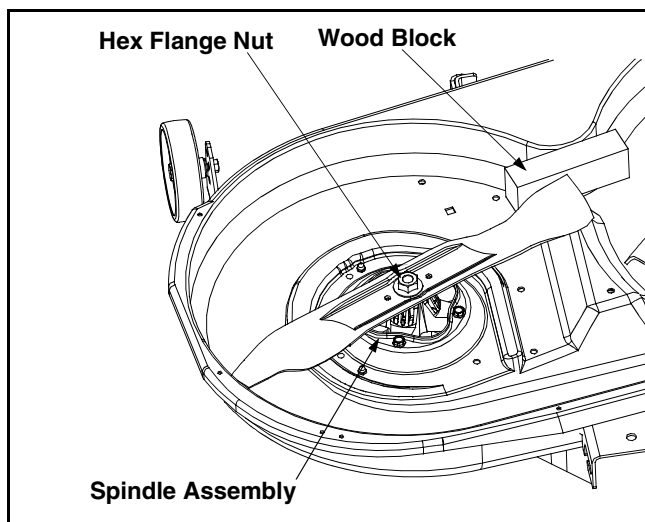


Figure 1

- Install the new blades packed with the mulcher. Be sure to install the blade with the side of the blade marked "Bottom" (or with a part number stamped in it) facing the ground when the mower is in the operating position.

IMPORTANT: Use a torque wrench to tighten the blade spindle hex flange nut to between 70 foot-pounds and 90 foot-pounds.

- Remount the cutting deck.

Inserting The Mulch Plug

- After mounting the new blades, remove the chute deflector and insert the mulching baffle into the discharge opening.

- Secure the narrow end of the baffle with the 1.75" hex cap screw and lock nut. Insert the screw from the bottom of the deck.
- Secure the discharge end of the baffle with the two 2.75" hex cap screws and lock nuts. Align the baffle

holes with the chute deflector holes and insert the two screws from the bottom.

- Carefully remount the cutting deck to the tractor once installation is complete.

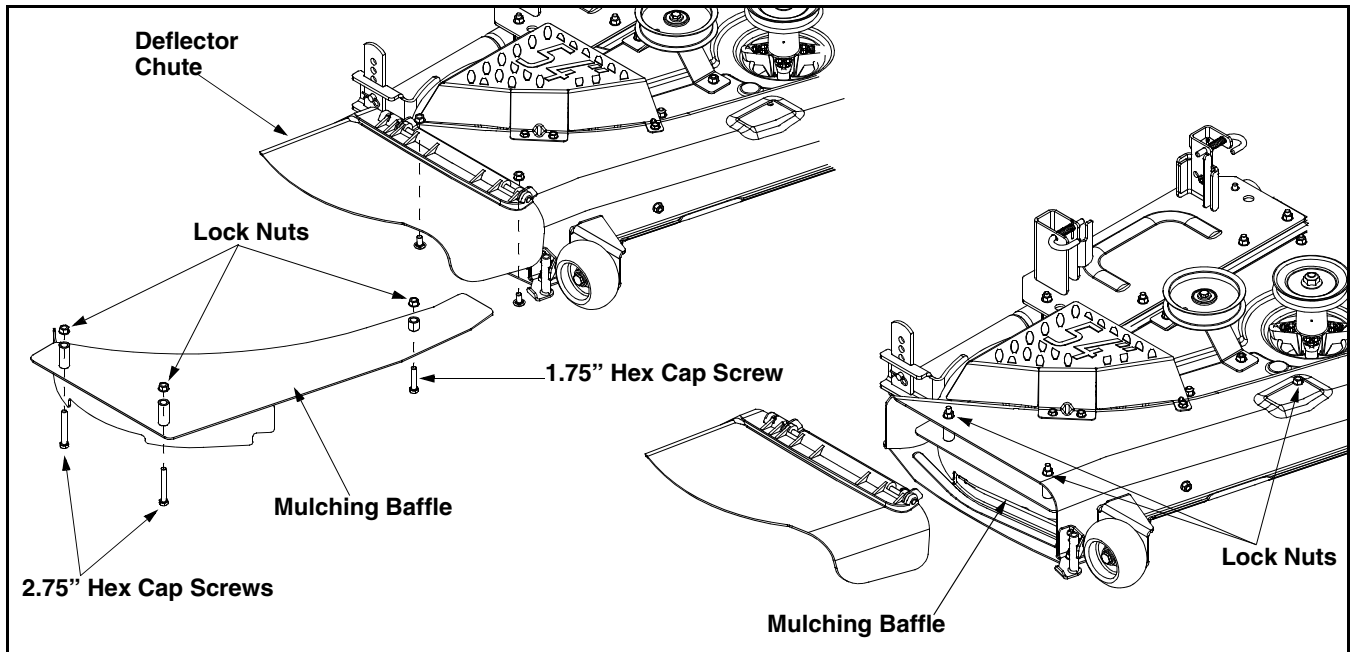


Figure 2

SECTION 2: OPERATION

This mulch kit incorporates special blades in a process of recirculating grass clippings repeatedly beneath the cutting deck. After which, the ultra-fine clippings are forced back into the lawn where they act as a natural fertilizer. Regard the following recommendations for the best results when mulching.

- Clear the lawn of all debris prior to mowing. Running over stick, rocks, children's toys, etc. can damage the mulching blades and make them less effective. Such objects can also be thrown by the mower and cause serious personal injury or damage to surrounding property, even with the mulch plug in place.
- Never attempt to mulch if the lawn is damp. Wet grass tends to stick to the underside of the cutting deck preventing proper mulching of the clippings.
- Do NOT attempt to mulch more than 1/3 the total height of the grass or approximately 1-1/2 inches.

Doing so will cause the clippings to clump up beneath the deck and not be mulched effectively.



WARNING: Do NOT under any circumstances attempt to mow through grass which exceeds ten inches in height. Debris may build up on the mowing deck and come into contact with belts and other moving parts or the engine's exhaust system presenting a potential fire hazard.

- Maintain a slow ground speed to allow the grass clippings more time to effectively be mulched.
- To allow the blades to mulch properly, ALWAYS keep the engine at full throttle.

MANUFACTURER'S LIMITED WARRANTY FOR:



The limited warranty set forth below is given by MTD LLC with respect to new merchandise purchased and used in the United States, its possessions and territories.

MTD LLC warrants this product against defects for a period of two (2) years commencing on the date of original purchase and will, at its option, repair or replace, free of charge, any part found to be defective in materials or workmanship. This limited warranty shall only apply if this product has been operated and maintained in accordance with the Operator's Manual furnished with the product, and has not been subject to misuse, abuse, commercial use, neglect, accident, improper maintenance, alteration, vandalism, theft, fire, water, or damage because of other peril or natural disaster. Damage resulting from the installation or use of any accessory or attachment not approved by MTD LLC for use with the product(s) covered by this manual will void your warranty as to any resulting damage.

Normal wear parts or components thereof are subject to separate terms as follows: All normal wear parts or component failures will be covered on the product for a period of 90 days regardless of cause. After 90 days, but within the two year period, normal wear part failures will be covered ONLY IF caused by defects in materials or workmanship of OTHER component parts. Normal wear parts and components include, but are not limited to: batteries, belts, blades, blade adapters, grass bags, rider deck wheels, seats, snow thrower skid shoes, shave plates, auger spiral rubber, tires.

HOW TO OBTAIN SERVICE: Warranty service is available, WITH PROOF OF PURCHASE, through your local authorized service dealer. To locate the dealer in your area, check your Yellow Pages, or contact MTD LLC at P.O. Box 361131, Cleveland, Ohio 44136-0019, 1-800-800-7310, 1-330-220-4683 or log on to our Web site at www.mtdproducts.com.

This limited warranty does not provide coverage in the following cases:

- a. The engine or component parts thereof. These items carry a separate manufacturer's warranty. Refer to the applicable manufacturer's warranty for terms and conditions.
- b. Log splitter pumps, valves, and cylinders have a separate one year warranty.
- c. Routine maintenance items such as lubricants, filters, blade sharpening, tune-ups, brake adjustments, clutch adjustments, deck adjustments, and normal deterioration of the exterior finish due to use or exposure.
- d. MTD LLC does not extend any warranty for products sold or exported outside of the United States, its possessions and territories, except those sold through MTD LLC's authorized channels of export distribution.
- e. Parts that are not genuine MTD parts are not covered by this warranty.
- f. Service completed by someone other than an authorized service dealer is not covered by this warranty.
- g. Transportation charges and service calls are not covered.

No implied warranty, including any implied warranty of merchantability of fitness for a particular purpose, applies after the applicable period of express written warranty above as to the parts as identified. No other express warranty, whether written or oral, except as mentioned above, given by any person or entity, including a dealer or retailer, with respect to any product, shall bind MTD LLC. During the period of the warranty, the exclusive remedy is repair or replacement of the product as set forth above.

The provisions as set forth in this warranty provide the sole and exclusive remedy arising from the sale. MTD LLC shall not be liable for incidental or consequential loss or damage including, without limitation, expenses incurred for substitute or replacement lawn care services or for rental expenses to temporarily replace a warranted product.

Some states do not allow the exclusion or limitation of incidental or consequential damages, or limitations on how long an implied warranty lasts, so the above exclusions or limitations may not apply to you.

In no event shall recovery of any kind be greater than the amount of the purchase price of the product sold. **Alteration of safety features of the product shall void this warranty.** You assume the risk and liability for loss, damage, or injury to you and your property and/or to others and their property arising out of the misuse or inability to use the product.

This limited warranty shall not extend to anyone other than the original purchaser or to the person for whom it was purchased as a gift.

HOW STATE LAW RELATES TO THIS WARRANTY: This limited warranty gives you specific legal rights, and you may also have other rights which vary from state to state.