

# Parts Manual

## Triple Rear Bagger

For FastAttach™ Compatible Garden Tractors

**Model**

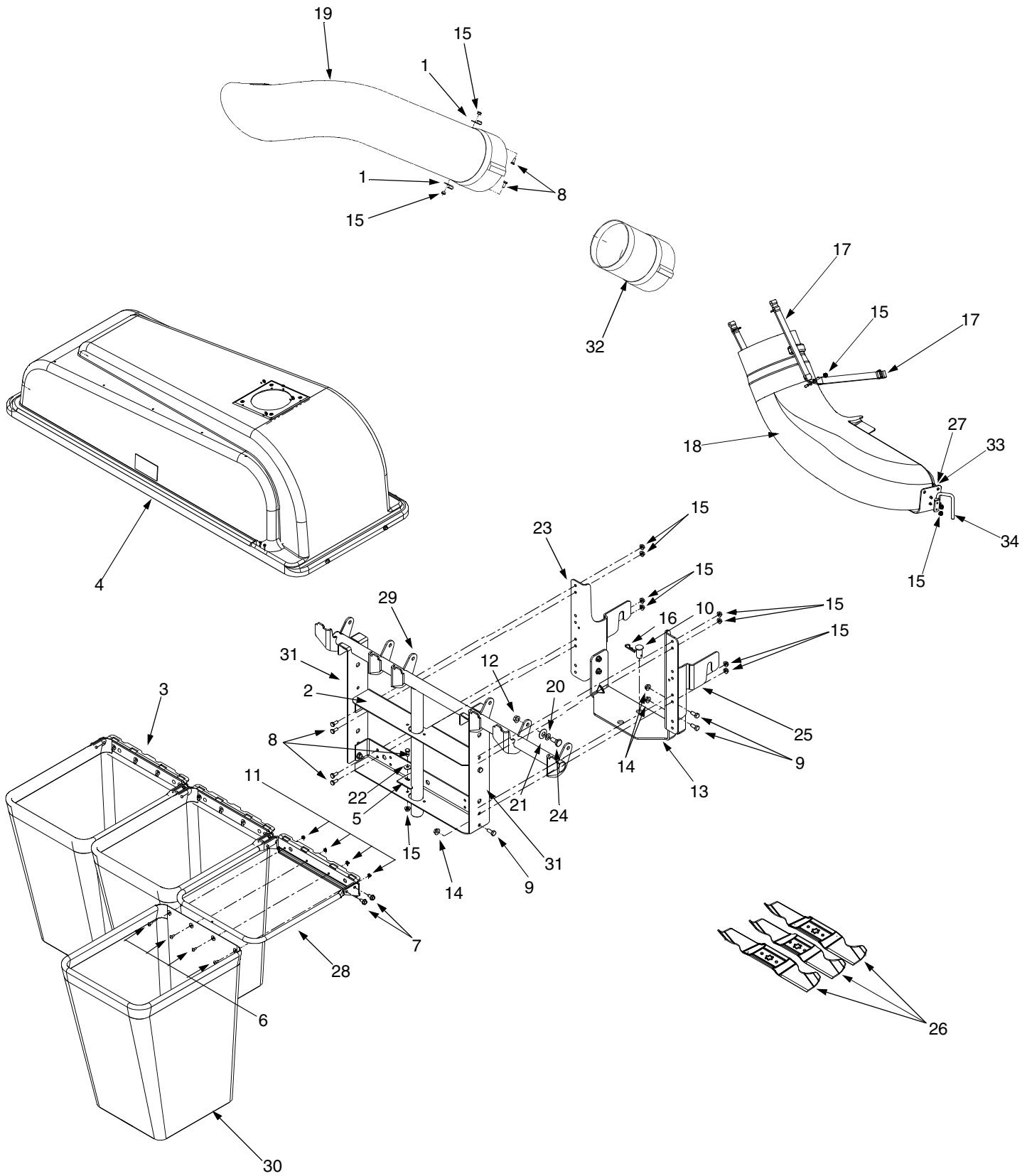
**OEM-190-842 (for 54-inch decks)**

**MTD LLC, P.O. BOX 361131 CLEVELAND, OHIO 44136-0019**

PRINTED IN U.S.A.

FORM NO. 770-10592  
(1/02)

# Model 842



# Model 842

Ref. No.	Part No.	Part Description	Ref. No.	Part No.	Part Description
1.	16606	Retainer Hook Bracket	18.	631-0221	Discharge Chute
2.	17200A	Catcher Support Bracket	19.	731-0926	Chute Tube
3.	17201A	Bag Frame Hanger Bracket	20.	736-0108	Flat Washer, .51 x .75 x .033
4.	17204	Cover Assembly Complete	21.	736-0253	Belleville Washer
5.	17247	Support Tube Bracket	22.	736-0270	Bell Washer, .265 x .75 x .062
6.	710-0473	Screw, #10-24 x .5	23.	783-0764	LH Catcher Support Bracket
7.	710-0604A	Self Tapping Screw, 5/16-18 x .625	24.	738-0380	Shoulder Screw, .50 x .27, 3/8-16
8.	710-0751	Hex Cap Screw, 1/4-20 x .62	25.	783-0673	RH Catcher Support Bracket
9.	710-3008	Hex Cap Screw, 5/16-18 x .75	26.	742-0679	High Lift Blades 18.50"
10.	711-0309A	Clevis Pin	27.	710-0788	Hex Washer Screw 1/4-20 x 1.0
11.	712-0272	Hex Sems Nut, 10-24	28.	749-0745A	Grassbag Frame Tube
12.	712-0431	Hex Flange Lock Nut, 3/8-16	29.	749-0750	Catcher Support Tube
13.	783-0765	Support Cross Bracket	30.	764-0251	Grassbag
14.	712-3004A	Hex Flange Lock Nut, 5/16-18	31.	783-0601	Catcher Support Bracket
15.	712-3027	Hex Flange Lock Nut, 1/4-20	32.	731-2299	Extension Tube
16.	714-0117	Internal Cotter Pin, .148 x 3	33.	736-0173	Flat Washer .28 ID x .74 OD
17.	723-0476	Retainer Strap Assembly	34.	747-2134	Mounting Rod