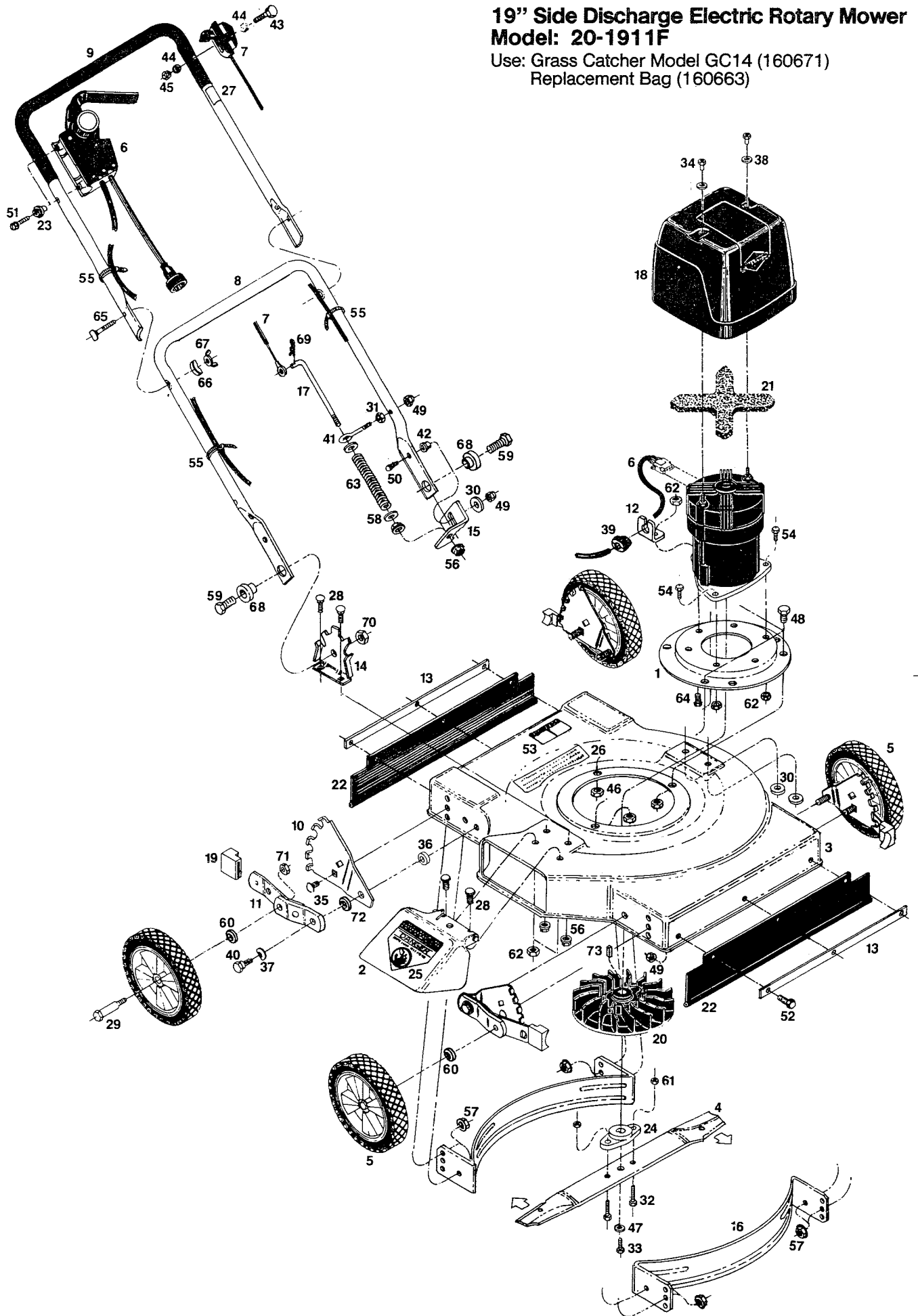


19" Side Discharge Electric Rotary Mower Model: 20-1911F

Use: Grass Catcher Model GC14 (160671)
Replacement Bag (160663)



**19" Side Discharge Electric Rotary Mower
Model: 20-1911F**

Use: Grass Catcher Model GC-14 (160671)
Replacement Bag (160663)

Index No.	Part No.	Description	Index No.	Part No.	Description
1	029868	Plate-Motor	37	152421	Spring Washer-Ht. Adj.
2	013565	Chute Deflector*	38	152728	Washer-Shroud Retaining Nut
3	013409	Deck-19"	39	447771	Strain Relief-Electric Cord
4	030460	Blade 19"	40	156125	Shoulder Bolt-Ht. Adj.
5	498618	Wheel-7 x 1.50	41	153890	Eyebolt #10-24 x 2.00
6	050690	Control-Electric Motor*	42	154047	Spacer-Lock Plate
7	050708	Control-Handle Release	43	154112	Bolt-Plastic, Handle Control
8	071662	Handle-Lower	44	154120	Washer-Plastic, Handle Control
9	071696	Handle-Upper	45	154138	Nut-Plastic, Handle Control
10	090589	Back Plate-Ht. Adj.	46	310151	Nut - 5/16-18 Nylok
11	091033	Wheel Arm Assy.	47	311118	Washer-5/16 Split Lock
12	664144	BRKT-Cord	48	312066	Bolt 5/16-18 x 3/4 Hex
13	109496	Backing Strip-Trailing Shield	49	452318	Nut#10-24 Nylok
14	107318	Handle Bracket	50	459388	Screw #10-24 x 3/4 Hx HD
15	107342	Lock Plate	51	459446	Screw #10-24 x 1-1/2 Hx WHD
16	107458	Baffle-Deck	52	458687	Screw #10-24 x 1/2 Hx HD
17	107805	Rod-Handle Lock	53	714170	Decal-Model Number
18	111146	Shroud-Electric Motor*	54	715045	Bolt 1/4-20 x 3/4 Hx HD
19	112540	Tip-Adjuster Lever	55	110379	Cable Tie
20	112748	Fan-Electric Motor*	56	715078	Nut 1/4-20 Flange Whiz
21	111427	Filter-Electric Motor*	57	451492	Nut 3/8-16 Top Lock Flange
22	111625	Shield-Trailing	58	715300	Washer .25 Flat
23	111732	Insulator-Electric Control	59	715326	Bolt 3/8-16 x 1.0
24	132886	Adapter-Blade	60	715607	Washer-3/8 Belleville
25	144063	Decal-Danger*	61	715490	Nut 5/16-18 Top Lock
26	145607	Decal-U.L. Rating	62	715508	Nut 1/4-20 Top Lock
27	147421	Decal-Handle Control	63	775825	Spring-Handle Latch
28	150011	Carriage Bolt 1/4-20 x 5/8	64	715292	Bolt 1/4-20 x 1" Hx HD
29	157420	Wheel Bolt	65	151928	Bolt 5/16-18 x 1.75
30	151555	Washer .25 ID x 1.0 OD	66	150201	Curved Washer
31	151985	Nut Hex #10-24	67	151795	Wingnut 5/16-18
32	152108	Bolt HH 5/16-18 x 1 Grade 5	68	097782	Pivot Bushing
33	152116	Bolt HH 5/16-24 x .75 Grade 8	69	715011	Hairpin-Cotter
34	152173	Hex Nut-Motor Shroud	70	715086	Nut 3/8-16 Lock
35	152405	Carriage Bolt 3/8 x 3/4	71	715524	Locknut-3/8-16 Jam
36	156182	Washer-Plastic, Ht. Adj.	72	156877	Washer-3/8 Hardened
			73	159103	Key

**NOTE: PARTS ARE RIGHT OR LEFT HAND AS VIEWED FROM THE OPERATOR POSITION
SPECIFICATIONS SUBJECT TO CHANGE WITHOUT PRIOR NOTICE**

- INDICATES OPTIONAL EQUIPMENT