

20" & 22" Side Discharge Rotary Mower

Model: 20-2001E

20-2021E

20-2021EA

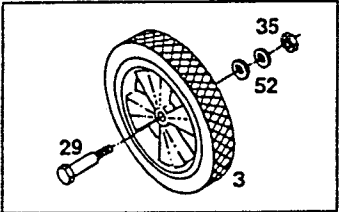
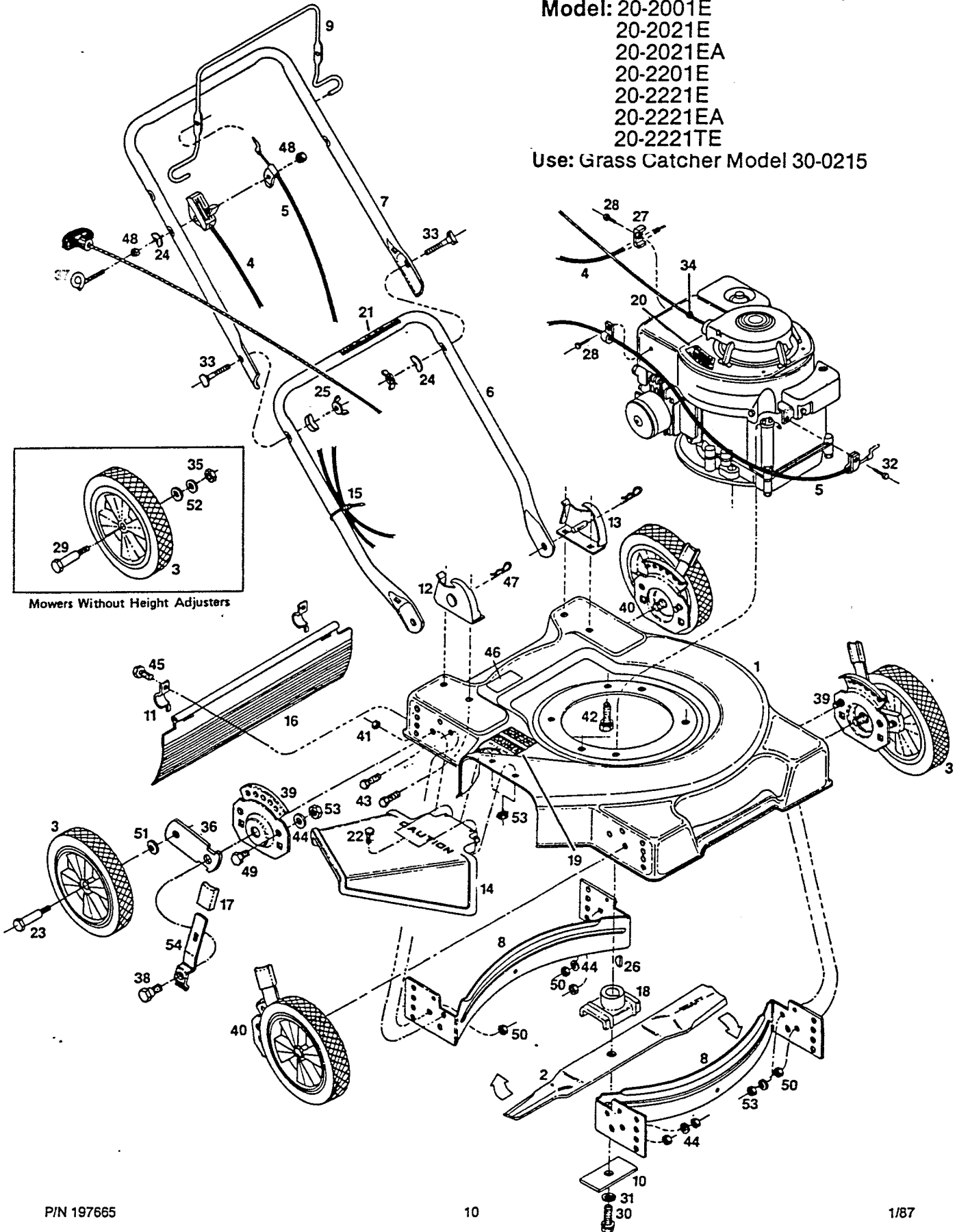
20-2201E

20-2221E

20-2221EA

20-2221TE

Use: Grass Catcher Model 30-0215



Mowers Without Height Adjusters

20" & 22" Side Discharge Rotary Mower

Model: 20-2001E
 20-2021E
 20-2021EA
 20-2201E
 20-2221E
 20-2221EA
 20-2221TE

Use: Grass Catcher Model 30-0215

Index No.	Part No.	Description	Index No.	Part No.	Description
1	028613	Deck-20"	23	150060	Wheel Bolt w/Ht. Adj.
	028621	Deck-22"	24	150201	Washer-Curved 5/16
2	030296	Blade-20"	25	150235	Wingnut 5/16-18
	030353	Blade-22"	26	150276	Woodruff Key #6
3		Wheel Assembly*	27	150318	Cable Clamp
	498691	8" Steel-Rib Ball Bearing	28	150623	Screw-Sheet Metal #10 x 5/8
	041194	7" Steel-Rib Ball Bearing	29	153668	Wheel Bolt w/o Ht. Adj.
	041046	7" Steel-Rib	30	150862	Blade Bolt
	041111	8" Steel-Rib	31	156919	Lockwasher 3/8 HD Split
4	051219	Control-Throttle	32	151613	Screw #10-32 x 3/8 Hex Sems
5	051037	Cable-Engine/Blade Control*	33	151928	Bolt-Curved Head 5/16-18 x 1 3/4
6	071563	Handle-Lower	34	152074	Rope Stop
7	071076	Handle-Upper	35	451492	Nut-Hex 3/8-16 Flange w/o Ht. Adj.
8	464305	Baffle 20" - Rear Standard - Front Optional	36	777862	Wheel Lever-Height Adjuster*
	106963	Baffle 22" - Rear Standard - Front Optional	37	152629	Eyebolt-Rope Guide
9	109470	Bail-Engine/Blade Control w/Vinyl Grip*	38	153650	Shoulder Bolt-Ht. Adj.
10	106005	Blade Washer	39	428664	Back Plate-Ht. Adj. LH Front/RH Rear
11	106914	Clip-Trailing Shield	40	428714	Back Plate-Ht. Adj. RH Front/LH Rear
12	107086	Handle Bracket-Right Hand	41	452318	Nut #10-24 Hex Nylon Insert
13	107094	Handle Bracket-Left Hand	42	457168	Bolt- 3/8-16 x 7/8 Thread Forming
14	463950	Chute Deflector Assembly*	43	457499	Bolt - 1/4-20 x 1/2 Thread Forming
15	110379	Cable Tie	44	462093	Washer-Flat 1/4"
16	111583	Trailing Shield-20" w/o Ht. Adj.*	45	458687	Bolt-Hex Head #10-24 x 1/2
	111609	Trailing Shield-20" w/Ht. Adj.*	46	714170	Decal-Model Number
	111609	Trailing Shield-22" w/o Ht. Adj.*	47	715011	Hairpin Cotter
	111617	Trailing Shield-22" w/Ht. Adj.*	48	715037	Nut-Keps 1/4-20"
17	435529	Plastic Tip-Setting Lever	49	715045	Bolt-Hex Head 1/4-20 x 3/4
18	126466	Blade Adapter	50	715086	Locknut 3/8-16
19	144063	Decal-Danger*	51	715607	Washer-Belleville
20	001416	Decal-Blade Warning*	52	715417	Washer 3/8 SAE
21	144899	Decal-Starting Instructions	53	715508	Locknut 1/4-20
22	150011	Bolt-Carriage 1/4-20 x 5/8	54	776500	Setting Lever-Height Adjuster*

NOTE: PARTS ARE RIGHT OR LEFT HAND AS VIEWED FROM THE OPERATOR POSITION.

* INDICATES OPTIONAL EQUIPMENT