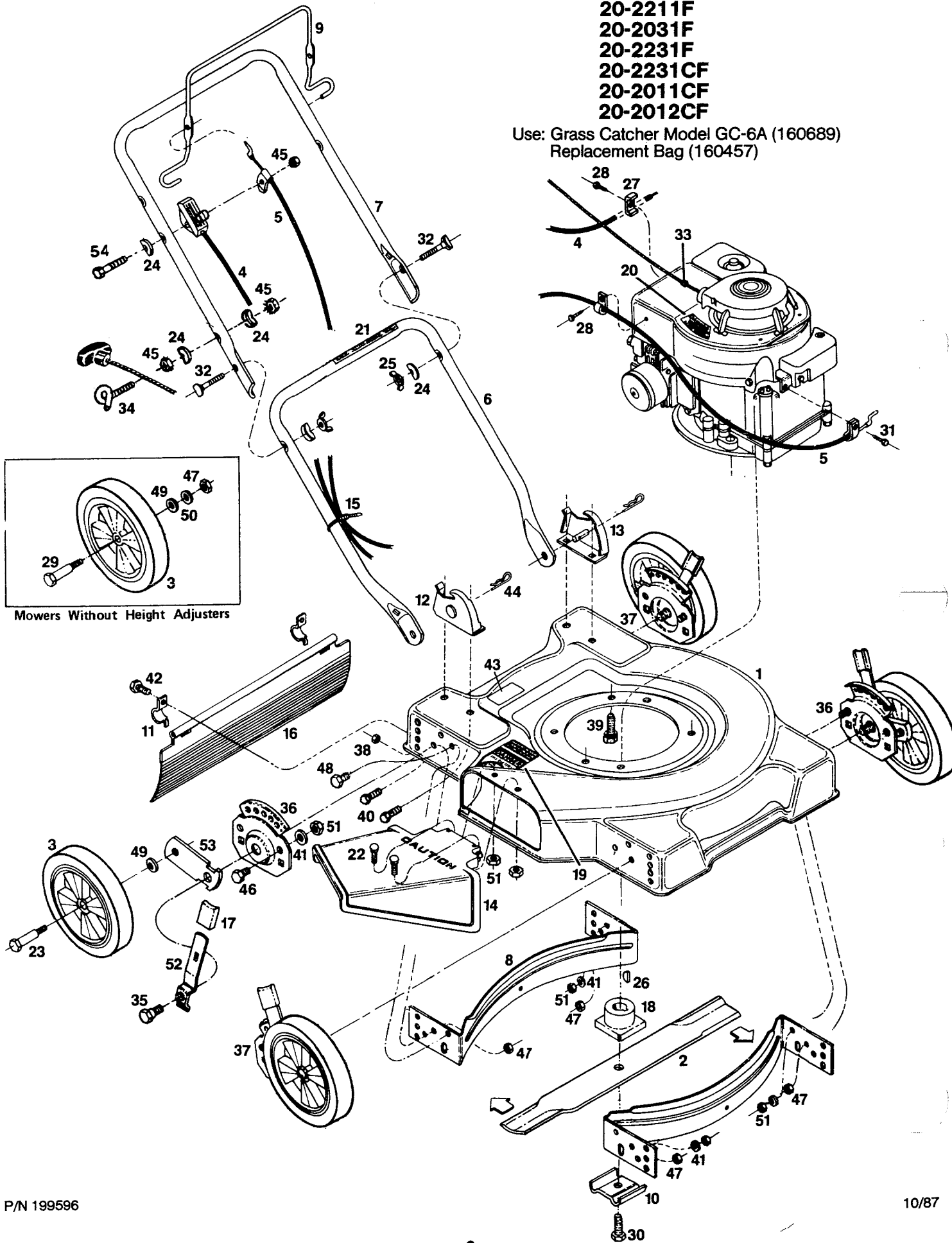


# 20" & 22" Side Discharge Rotary Mower

- Models: 20-2011F
- 20-2211F
- 20-2031F
- 20-2231F
- 20-2231CF
- 20-2011CF
- 20-2012CF

Use: Grass Catcher Model GC-6A (160689)  
Replacement Bag (160457)



## 20" & 22" Side Discharge Rotary Mower

Models: 20-2011F

20-2211F

20-2031F

20-2231F

20-2231CF

20-2011CF

20-2012CF

Use: Grass Catcher Model GC-6A (160689)  
Replacement Bag (160457)

Index No.	Part No.	Description
1	013532	Deck 20"
1	013590	Deck 22"
2	030031	Blade-20" Flat
	030049	Blade-22" Flat
3		Wheel Assembly•
	498618	7" Plastic-White-Rib
	041046	7" Steel-White-Rib
4	051219	Control-Throttle w/Cable
5	051466	Cable-Engine Blade Control*
6	071563	Handle-Lower
7	071076	Handle-Upper
	071084	Handle-Upper Vinyl Grip
	072181	Handle-Upper Cushion Grip
8	101519	Baffle 20/22" Rear Standard, Front•
9	104687	Bail-Engine/Blade Control
	109470	Bail-Engine/Blade Control Vinyl Grip
10	106336	Washer-Blade Adapter
11	106914	Clip-Trailing Shield*
12	107086	Handle Bracket-Right Hand
13	107094	Handle Bracket-Left Hand
14	110221	Chute Deflector Assembly*
15	110379	Cable Tie
16	111609	Trailing Shield-20/22" w/o Hgt. Adj.*
	111617	Trailing Shield-20/22" w/Hgt. Adj.*
17	435529	Plastic Tip-Setting Lever•
18	133231	Blade Adapter
19	144063	Decal-Danger*
20	001461	Decal-Blade Warning*
21	144899	Decal-Starting Instructions
22	150011	Bolt-Carriage 1/4-20 x 5/8
23	157420	Wheel Bolt-Plastic Whl.-w/Hgt. Adj.
	150060	Wheel Bolt-Steel Whl.-w/Hgt. Adj.

Index No.	Part No.	Description
24	150201	Washer-Curved 5/16
25	150235	Wingnut 5/16-18
26	150276	Woodruff Key #6
27	150318	Cable Clamp
28	150623	Screw-Sheet Metal #10 x 5/8
29	156158	Wheel Bolt-Plastic Whl.-w/o Hgt. Adj.
	150730	Wheel Bolt-Steel Whl.-w/o Hgt. Adj.
30	150862	Bolt-Blade
31	151613	Bolt-Hex Head #10-32 x 3/8 Sems
32	151928	Bolt-Curved Head 5/16-18 x 1 3/4
33	152074	Rope Stop
34	152371	Rope Guide
35	153650	Shoulder Bolt-Hgt. Adj.•
36	428664	Back Plate-Height Adjuster L.H. Front R.H. Rear•
37	428714	Back Plate-Height Adjuster R.H. Front L.H. Rear•
38	452318	Nut-#10-24 HX Nylon Insert
39	457168	Bolt-3/8-16 x 7/8 Thread Forming
40	457499	Bolt-1/4-20 x 1/2 Thread Forming
41	462093	Washer-Flat 1/4"•
42	458687	Bolt-Hex Head #10-24 x 1/2
43	714170	Decal-Model Number
44	715011	Hairpin Cotter
45	715037	Nut-Keps 1/4-20
46	715045	Bolt-Hex Head 1/4-20 x 3/4•
47	451492	Locknut 3/8-16 Top•
48	715201	Bolt-Hex 3/8-16 x 3/4 w/o Hgt. Adj.
49	715607	Washer-Belleville•
50	715417	Washer 3/8 SAE•
51	715508	Locknut 1/4-20 Top
52	776500	Setting Lever-Height Adjuster•
53	777862	Wheel Lever-Height Adjuster•
54	153874	Bolt-1/4-20 x 2 1/4 Hex

**NOTE:** PARTS ARE RIGHT OR LEFT HAND AS VIEWED FROM THE OPERATOR POSITION  
SPECIFICATIONS SUBJECT TO CHANGE WITHOUT PRIOR NOTICE

• INDICATES OPTIONAL EQUIPMENT