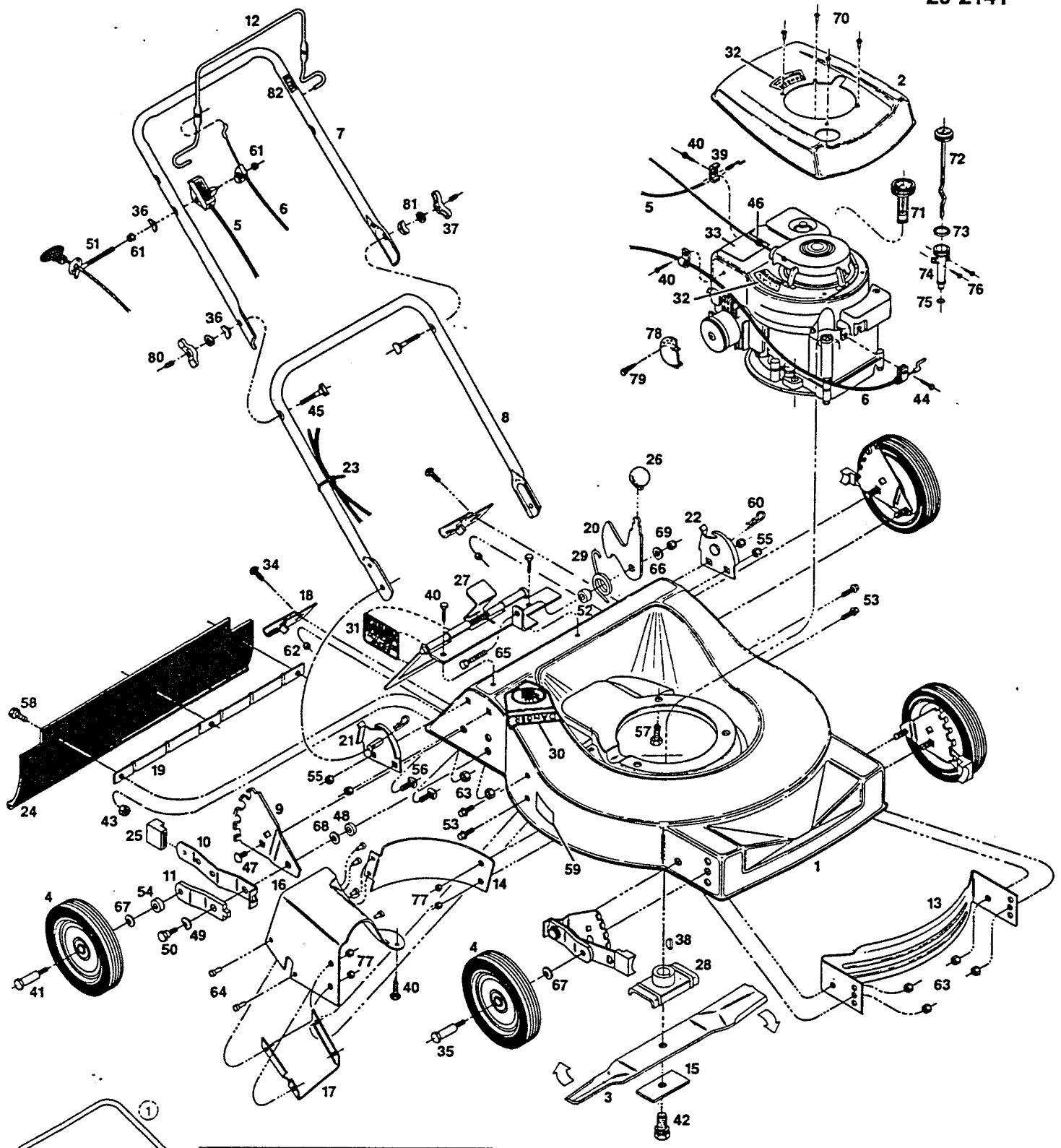


21" Rear Bagging Rotary Mower

20-2141



GRASS CATCHER

| INDEX NO. | PART NO. | DESCRIPTION |
|-----------|----------|---------------|
| 1 | 102640 | Catcher Hoop |
| 2 | 106450 | Catcher Frame |
| 3 | 151464 | Connector |
| 4 | 160598 | Catcher Bag |

21" Rear Bagging Rotary Mower

20-2141

PARTS LIST

225540

| IndexPart | | Description |
|-----------|--------|--|
| No. | No. | |
| 1 | 028647 | Deck 21" Rear Bagger |
| 2 | 027987 | Shroud - Steel• |
| 3 | 030338 | Blade 21" Offset |
| 4 | | Wheel Assemblies• |
| | 498634 | 8" Plastic-White-Rib Thread |
| | 041111 | 8" Steel-White-Rib Thread |
| 5 | 050641 | Control-Throttle-Plastic |
| 6 | 050682 | Control Cable-Engine/Blade* |
| 7 | 071076 | Handle - Upper |
| | 071084 | Handle - Upper with Cushion Grip• |
| 8 | 071449 | Handle - Lower |
| 9 | 090589 | Back Plate - Height Adjuster |
| 10 | 090613 | Setting Lever - Height Adjuster |
| 11 | 090712 | Wheel Lever - Height Adjuster |
| 12 | 106880 | Control - Engine/Blade Crossbar* |
| 13 | 105825 | Baffle - Front |
| 14 | 106070 | Baffle - Rear |
| 15 | 106005 | Blade Washer |
| 16 | 106633 | Baffle - Upper Chute |
| 17 | 106641 | Baffle - Lower Chute |
| 18 | 106930 | Catcher Frame Bracket |
| 19 | 107151 | Backing Strip - Trailing Shield* |
| 20 | 106716 | Catcher Latch |
| 21 | 106807 | Handle Bracket - Right Hand |
| 22 | 106815 | Handle Bracket - Left Hand |
| 23 | 110379 | Cable Tie |
| 24 | 111625 | Trailing Shield* |
| 25 | 111260 | Plastic Tip - Height Adjuster |
| 26 | 111369 | Knob - Catcher Latch |
| 27 | 126839 | Door Assembly* |
| 28 | 126466 | Blade Adapter |
| 29 | 133371 | Torsion Spring - Catcher Latch |
| 30 | 143115 | Decal - C.P.S.C. Danger |
| 31 | 144162 | Decal - Door Caution |
| 32 | 144204 | Decal - Blade Warning |
| 33 | 760330 | Decal - Starting Instructions |
| 34 | 150011 | Bolt - Carriage 1/4-20 x 3/8 Gr. 5 |
| 35 | 150060 | Shoulder Bolt-Front-for steel wheels |
| | 459511 | Shoulder Bolt-Front-for plastic wheels |
| 36 | 150201 | Washer - Curved 5/16 |
| 37 | 744284 | Wing Nut 5/16-18 |
| 38 | 150276 | Woodruff Key No. 6 |
| 39 | 150318 | Cable Clamp |
| 40 | 150623 | Screw-Hex Head Sheet Metal #10x5/8 |

| IndexPart | | Description |
|-----------|--------|---------------------------------------|
| No. | No. | |
| 41 | 150730 | Shoulder Bolt-Rear-for steel wheels |
| | 459552 | Shoulder Bolt-Rear-for plastic wheels |
| 42 | 152469 | Bolt-Blade 3/8-24 x 1 Gr. 5 |
| 43 | 452318 | Nut #10-24 Hex Nylon Insert |
| 44 | 151613 | Bolt-Hex Head SEMS 10-32 x 3/8 |
| 45 | 151936 | Bolt-Curved Head Crg 5/16-18 x 2 1/4 |
| 46 | 152074 | Rope Stop |
| 47 | 152405 | Bolt-Carriage 3/8-16 x 3/4 |
| 48 | 152413 | Washer-Plastic-Height Adjuster |
| 49 | 152421 | Washer-Spring-Height Adjuster |
| 50 | 153643 | Shoulder Bolt-Height Adjuster |
| 51 | 152629 | Rope Guide |
| 52 | 152637 | Spacer - Catcher Latch |
| 53 | 152660 | Bolt-Hex Washer Head 1/4-20 x 1/2 |
| 54 | 152686 | Spacer-Rear Wheel |
| 55 | 310151 | Locknut-5/16-18 Nylock |
| 56 | 313510 | Bolt-Carriage 5/16-18 x 3/4 |
| 57 | 457168 | Bolt-3/8-16 x 1/2 Thread Forming |
| 58 | 458687 | Bolt-Hex Head 10-24 x 1/2 |
| 59 | 714170 | Decal-Rating Plate |
| 60 | 715011 | Hitch Pin #3 |
| 61 | 715037 | Locknut 1/4-20 Keps |
| 62 | 715078 | Nut 1/4-20 Flange Whiz |
| 63 | 715086 | Locknut 3/8-16 Top |
| 64 | 715276 | Pop Rivet 1/8" |
| 65 | 715292 | Bolt-Hex Head 1/4-20 x 1 |
| 66 | 715300 | Washer 1/4" |
| 67 | 715409 | Washer - Spring-Wheel |
| 68 | 715417 | Washer - 3/8 SAE |
| 69 | 715508 | Locknut 1/4-20 Top |
| 70 | 152199 | Self Tap Screw #6 x 1/2• |
| 71 | 120014 | Gas Gauge• |
| 72 | 125237 | Oil Dip Stick and Cap• |
| 73 | 110494 | 'O'-Ring• |
| 74 | 111112 | Oil Fill Tube• |
| 75 | 111120 | 'O'-Ring• |
| 76 | 152082 | Shoulder Screw-Oil Dip Stick• |
| 77 | 451419 | Locknut 1/4-20 Flanged Top |
| 78 | 120030 | Screw-Muffler Deflector |
| 79 | 133484 | Muffler Deflector |
| 80 | 110064 | Bolt Cap |
| 81 | 461665 | Washer 5/16 Lock |
| 82 | 760074 | Decal-Blade Control |