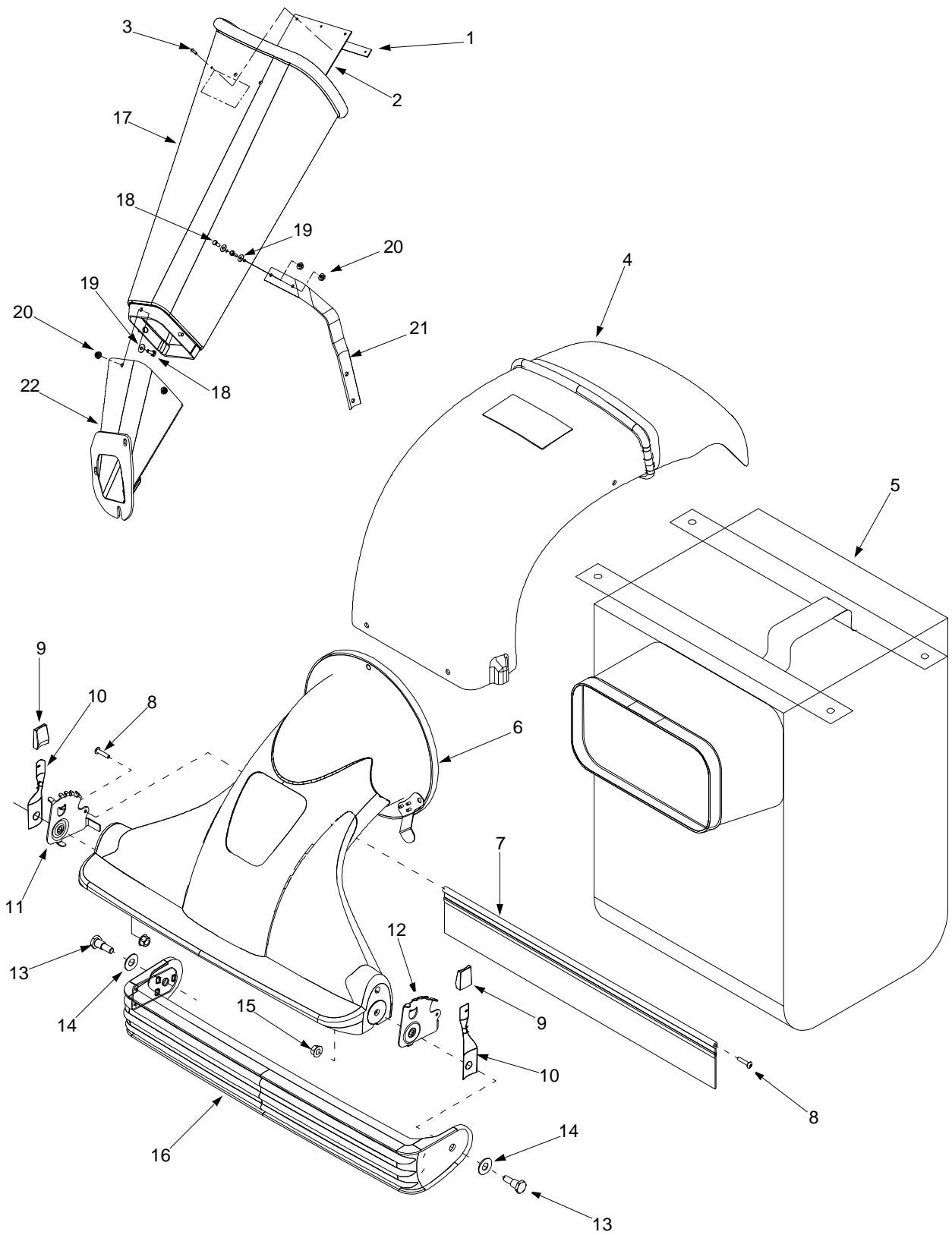


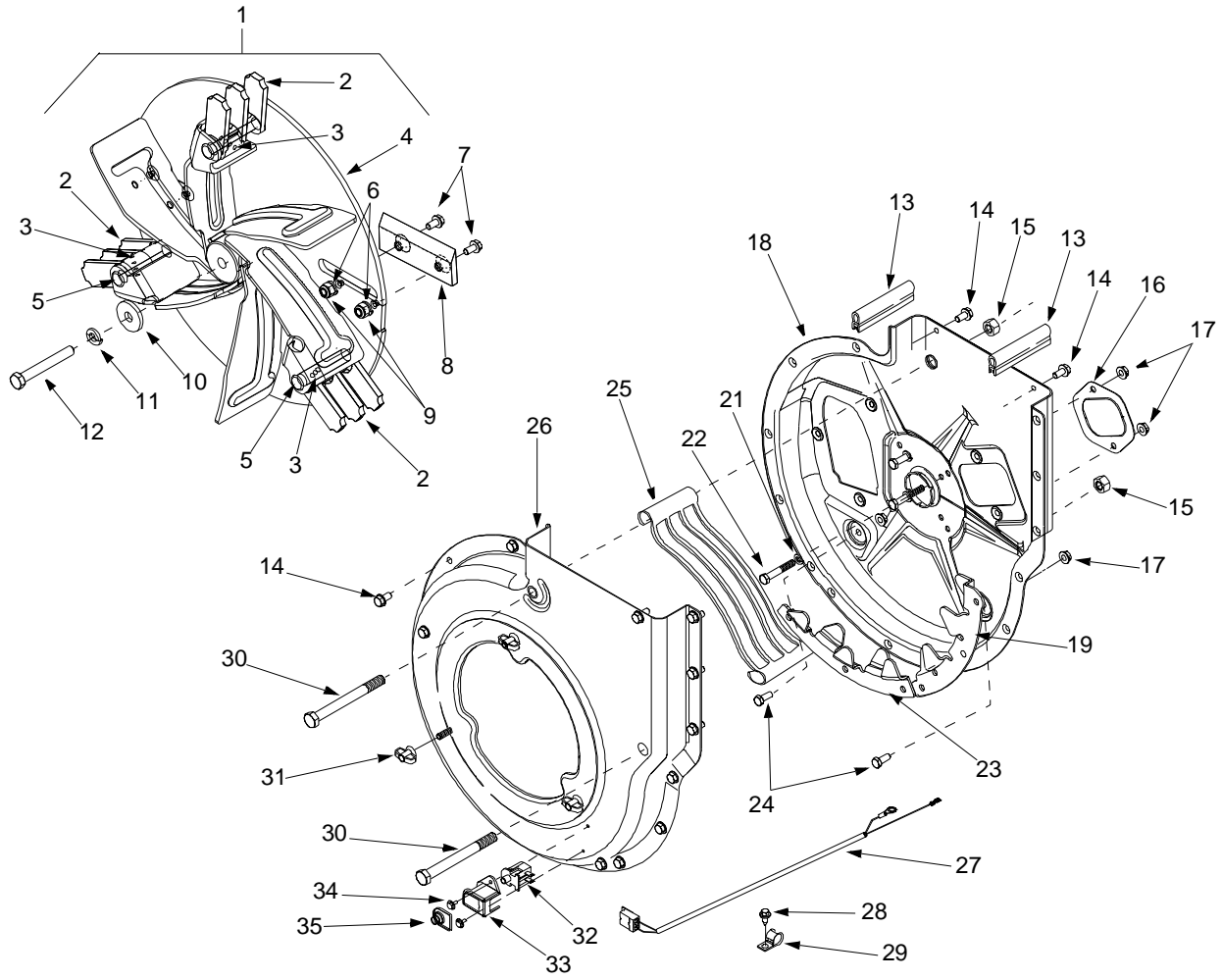
# Model CSV206



# Model CSV206

<b>Ref. No.</b>	<b>Part No.</b>	<b>Part Description</b>
1.	781-0633	Chute Flap Strip
2.	735-0249	Chute Flap
3.	728-0175	Pop Rivet
4.	731-1838A	Discharge Chute
5.	764-04001	Bag
6.	631-0086	Nozzle Assembly
7.	731-1831	Nozzle Flap
8.	710-0969	Screw
9.	720-0190	Height Adjustment Knob
10.	732-0754	Spring Lever
11.	781-0702	Index Bracket RH
12.	781-0703	Index Bracket LH
13.	738-0913	Shoulder Screw
14.	736-3084	Flat Washer .510 x 1.12 x .060
15.	712-0431	Hex Flange Lock Nut 3/8-16
16.	631-0049	Door Assembly
17.	731-1574A	Chipper Chute
18.	710-0751	Hex Cap Screw 1/4-20 x .620
19.	736-0173	Flat Washer .28 ID x .74 OD
20.	712-3027	Hex Lock Nut 1/4-20
21.	781-0780	Support Bracket
22.	681-0068A	Chipper Chute Assembly
	777D06245	Label- TroyBilt Chipper Shredder
	777D06513	Label- 6.5 Eng
	777D06541	Label- Chipper Shredder Vac
	777I20071	Label- Chipper Shredder SP
	777I20123	Label- Castor Wheel Lock
	777S30041	Label- Warning / Avoid Injury
	777S30131	Label- Caution Do Not Operate
	777S30181	Label- C/S/V Top Chute Danger
	777S30183	Label- Flail Housing Warning

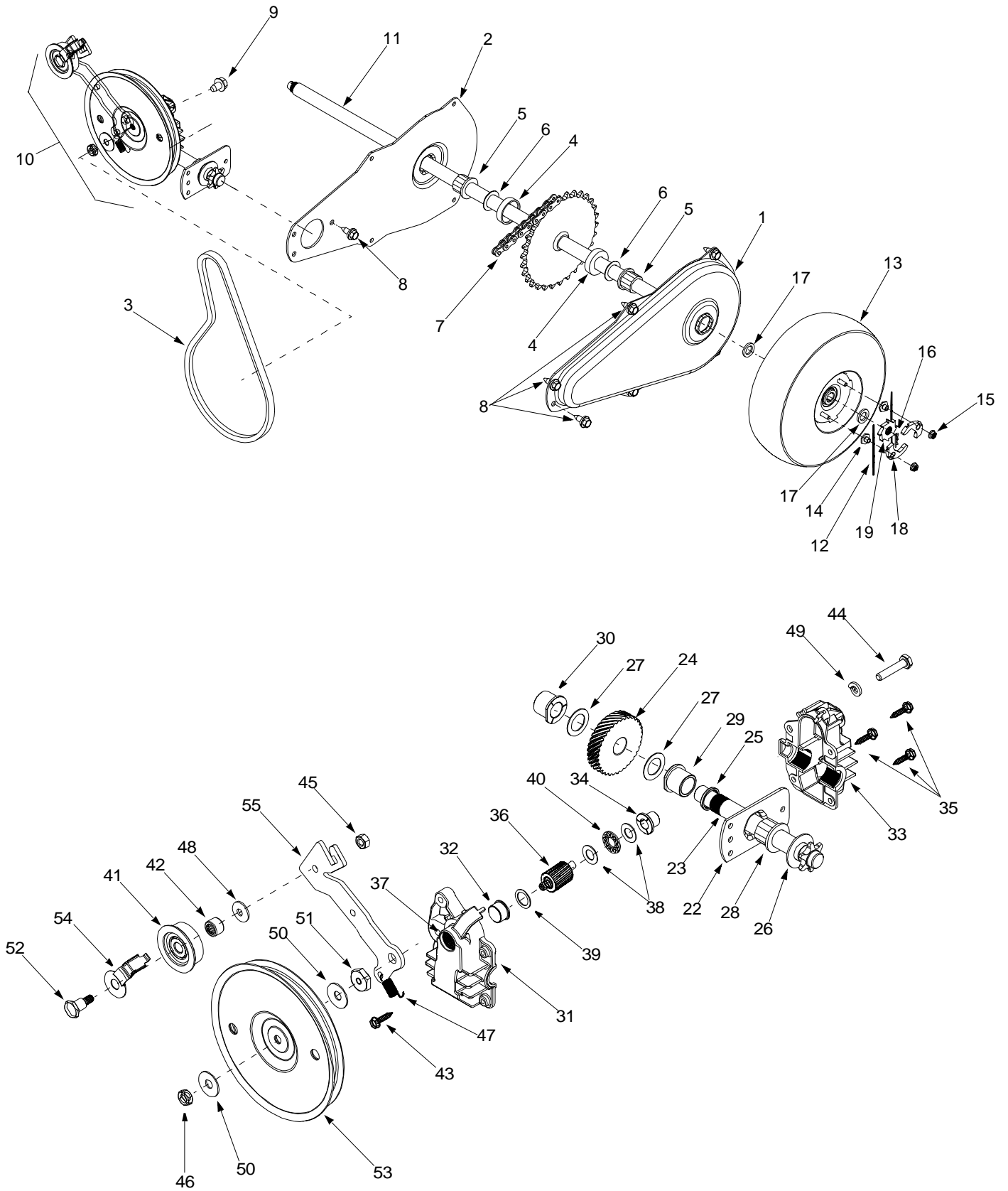
# Model CSV206



## Model CSV206

<b>Ref. No.</b>	<b>Part No.</b>	<b>Part Description</b>	<b>Ref. No.</b>	<b>Part No.</b>	<b>Part Description</b>
1.	681-0116	Impeller Ass'y Complete	18.	681-0098	Housing Ass'y Inner Flail
2.	719-0329	Flail Blade	19.	781-0599	Upper Shredder Blade
3.	715-0166	Spiral Pin	21.	736-0119	Lock Washer 5/16
4.	681-0107	Impeller Assembly	22.	710-0772	Hex Cap Screw 5/16-18 x 2
5.	711-0833B	Clevis Pin	23.	781-0653	Flail Housing Blade
6.	736-0119	Lock Washer 5/16	24.	710-3008	Hex Cap Screw 5/16-18 x .75
7.	710-1054	Cap Screw 5/16-24 x 1.0	25.	719-0326	Discharge Screen
8.	742-0544	Chipper Blade	26.	681-0060	Housing Ass'y Outer Flail
9.	712-0411	Hex Lock Nut 5/16-24	27.	629-0241A	Wire Harness
10.	736-0247	Flat Washer .406 x 1/1/4	28.	710-0896	Hex Washer Screw 1/4-14
11.	736-0217	Lock Washer 3/8	29.	726-0272	Clamp
12.	710-1273	Hex Cap Screw 3/8-24 x 2.75	30.	710-0382	Hex Cap Screw 1/2-13 x 5.0
13.	723-0438	Rubber Seal	31.	712-0421	Knob 5/16-18
14.	710-0604A	Hex Washer Screw 5/16-18	32.	725-3166	Switch
15.	712-0384	Hex Lock Nut 1/2-13	33.	731-1613	Safety Switch Mounting Cover
16.	781-0627	Chipper Blade Cover	34.	710-1268	Hex Washer Screw
17.	712-3004A	Hex Flange Lock Nut 5/16-18	35.	725-1700	Switch Cover

# Model CSV206



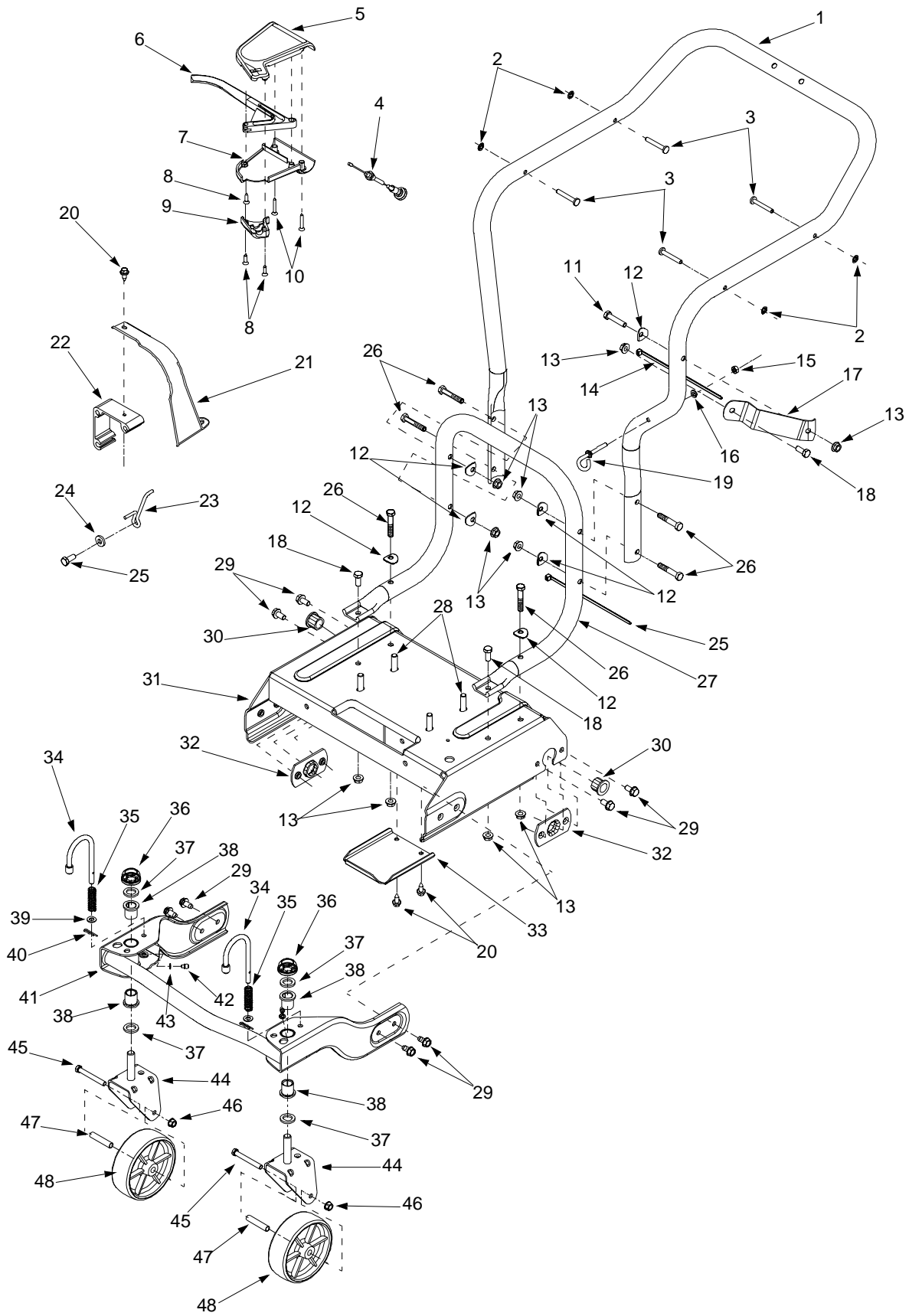
# Model CSV206

Ref. No.	Part No.	Part Description	Ref. No.	Part No.	Part Description
1.	781-0677	Chain Case LH	29.	741-0414	Flange Bearing .629 ID
2.	781-0676	Chain Case RH	30.	741-0415	Flange Bearing .566 ID
3.	754-0457	V-Belt	31.	719-0325	Lower Housing
4.	748-0313	Spacer	32.	748-0373	Flange Bearing .503 ID
5.	741-0413	Hex Flange Bearing	33.	719-0324A	Upper Housing
6.	736-0336	Flat Washer	34.	748-0208A	Flange Bearing .378 ID
7.	713-0422	Chain	35.	710-0589	Hex Washer Screw #10-16 x .75
8.	710-0896	Hex Washer Screw 1/4-14	36.	717-1433	Pinion Shaft 10T
9.	710-0603	Hex Washer Screw 5/16	37.	721-0329	Oil Seal
10.	618-0256	Transmission Assembly	38.	736-0314	Thrust Washer .382 ID x .684 OD
11.	611-0063	Axle Assembly	39.	736-0520	Flat Washer .504 ID x .70 OD
12.	10622B	Plastic Spring Ratchet	40.	741-0479	Thrust Bearing .375 ID x .812 OD
13.	634-0244	Wheel Complete 10 x 4 x 4	41.	656-0008	Pulley Ass'y Idler w/ Bearing
14.	712-0456	Hex Nut 1/4-20	42.	741-0556	Needle Bearing .375 ID x .375 OD
15.	712-3027	Hex Flanged Lock Nut 1/4-20	43.	710-0589	Hex Screw #10-16 x .75
16.	714-0104	Cotter Pin	44.	710-1062	Hex Cap Screw 1/4-20 x 1.25
17.	736-0366	Flat Washer 5/8 ID x 1.0 OD	45.	712-0138	Hex Nut 1/4-28
18.	748-0188B	Pawl LH .345 ID	46.	712-3045	Hex Jam Nut 5/16-24 LH Thd
	748-0381	Pawl RH .345 ID	47.	732-0357A	Extension Spring 1.12 Lg
19.	748-0405	Wheel Ratchet 1.62 OD x .5 serr	48.	736-0270	Bell Washer .265 ID x .75 OD
21.	618-0255	Transmission Assembly Complete	49.	736-0329	Lock Washer 1/4
22.	16500A	Hex Bearing Cup	50.	736-0425	Bell Washer .325 ID x .930 OD
23.	711-1118	Output Shaft 6T Sprocket	51.	738-0440	Shoulder Spacer .375 ID x .165 OD
24.	717-1432	Helical 34T Gear	52.	738-0826	Shoulder Bolt 1/4-28 x .375
25.	721-0213	Oil Seal	53.	756-0656	Flat Pulley 5.06 Dia
26.	736-0187	Flat Washer .64 ID x 1.24 OD	54.	782-7569	Belt Keeper
27.	736-0336	Flat Washer 5/8 x 1.0	55.	682-0054	Idler Bracket
28.	741-0413	Hex Flange Bearing .631 ID			

**IMPORTANT: For a proper working machine, use Factory Approved Parts.**

**V-BELTS are especially designed to engage and disengage safely. A substitute (non OEM) V-Belt can be dangerous by not disengaging completely.**

# Model CSV206



# Model CSV206

Ref. No.	Part No.	Part Description	Ref. No.	Part No.	Part Description
1.	749-1095	Upper Handle	25.	710-0157	Hex Cap Screw 5/16-24 x .75
2.	1539-019	Push Nut	26.	710-3103	Hex Cap Screw 5/16-18 x 1.75
3.	711-0737	Stud Pin .250 x 1.75	27.	749-1094	Lower Push Handle
4.	746-0714	Clutch Cable 56"	28.	710-0502A	Screw 3/8-16 x 1.25
5.	731-1735	Upper Clutch Cover	29.	710-0604A	Hex Washer Screw 5/16-18 x .625
6.	731-0620	Drive Lever	30.	741-0413	Hex Flange Bearing .631 x .720
7.	731-1736	Lower Clutch Cover	31.	681-0097A	Frame Assembly
8.	710-0841	Screw #10-12 x .750	32.	781-0700	Axle Bracket
9.	731-1059	Mounting Cable Cap	33.	781-0697	Transmission Cover
10.	710-1331	Screw #10-16 x 1.25	34.	747-0924	Lock Pin
11.	710-0805	Hex Cap Screw 5/16-18 x 1.50	35.	732-0306	Compression Spring
12.	736-0451	Shoulder Washer .320 ID x .93 OD	36.	726-0214	Push Cap
13.	712-3004A	Hex Flange Lock Nut 5/16-18	37.	736-0366	Flat Washer 5/8 ID x 1.0 OD
14.	725-0157	Cable Tie	38.	741-0487A	Flange Bearing .632 ID
15.	712-0138	Hex Nut 1/4-28	39.	736-0264	Flat Washer .330 ID x .630 OD
16.	736-0329	Lock Washer 1/4	40.	714-0104	Cotter Pin
17.	781-0647	Discharge Chute Bracket	41.	681-0087	Bracket Assembly
18.	710-3008	Hex Cap Screw 5/16-18 x .75	42.	737-3000	Grease Fitting 3/16
19.	747-0815	Eye Bolt	43.	736-0931	Flat Washer.203 ID x .403 OD
20.	710-0896	Hex Washer Screw 1/4-14 x .625	44.	681-0088	Bracket Assembly
21.	731-1646	Belt Cover	45.	710-0521	Hex Cap Screw 3/8-16 x 3.0
22.	719-0359	Engine Mounting Adapter	46.	712-0431	Flange Lock Nut 3/8-16
23.	747-0929A	Belt Keeper	47.	750-1042	Spacer
24.	736-3008	Flat Washer .344 x .75 x .12	48.	734-1804	Wheel 6.0 x 2.0