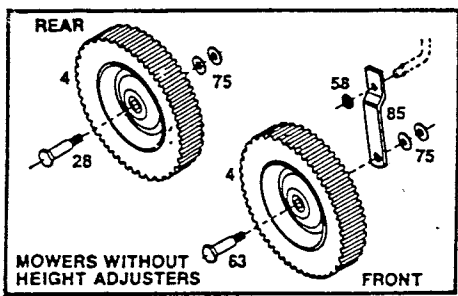
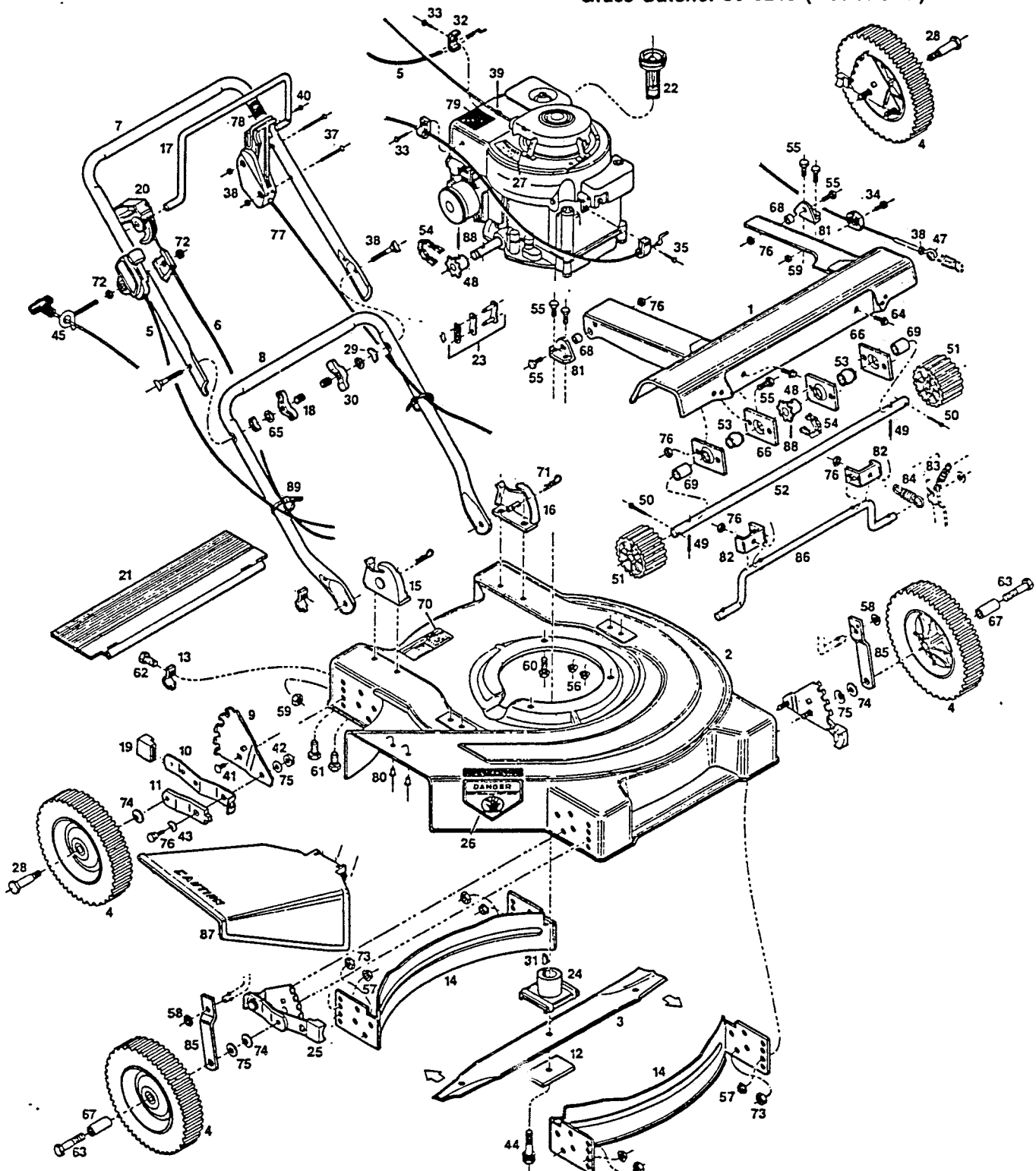


# 22" Self Propelled Rotary Mower

226563-21-2251D

226571 21-2261D

Grass Catcher 30-0215 (Not Shown)



# 22" Self Propelled Rotary Mower

21-2251D

21-2261D

Grass Catcher 30-0215 (Not Shown)

## Parts List

Index No.	Part No.	Description	Index No.	Part No.	Description
1	028159	Cover Assembly w/o Ht. Adj.	44	152496	Blade Bolt
1	028506	Cover Assembly w/ Ht. Adj.	45	152629	Rope Guide
2	028639	Deck—22"	46	153643	Shoulder Bolt - Ht. Adj. †
3	030353	Blade 22" Offset	47	153890	Eye Bolt
4		Wheel Assemblies •	48	170142	Sprocket - 8 Tooth
4	041095	Wheel - 8" Steel	49	314096	Roll Pin 3/16 x 1-1/4
4	498659	Wheel - 8" Plastic	50	317016	Cotter Pin 1/8 x 1
5	051060	Control - Throttle, Plastic	51	416693	Pinion
6	051029	Control - Engine/Blade	52	417741	Shaft - w/o Ht. Adj.
7	071092	Handle - Upper	53	417766	Shaft - w/ Ht. Adj. †
7	071100	Handle - Upper, Cushioned	54	423319	Bearing - Spherical
8	071563	Handle - Lower	54	425306	Chain
9	090589	Back Plate - Ht. Adj. †	55	449587	Bolt - Hex Head 1/4-20 x 5/8
10	090613	Setting Lever - Ht. Adj. †	56	451419	Nut - Top Lock Flange 1/4-20
11	090977	Wheel Lever - Ht. Adj. †	57	451492	Nut - Top Lock Flange 3/8-16
12	106005	Washer - Blade Adapter	58	452250	Push Nut
13	106914	Clip - Trailing Shield	59	452318	Nut - Nylon Insert #10-24
14	106963	Baffle - Deck	60	457168	Bolt - Thread Form 3/8-16 x 7/8
15	107086	Handle Bracket - R.H.	61	457499	Bolt - Thread Form 1/4-20
16	107094	Handle Bracket - L.H.	62	458687	Bolt - #10-24 x 1/2
17	107367	Control - Engine/Blade Crossbar	63	459032	Wheel Bolt - Front w/ Ht. Adj. †
17	107375	Ctrl - Engine/Blade Crossbar Cushioned •	64	459560	Wheel Bolt - Front w/o Ht. Adj.
18	110064	Plastic Bolt Cap •	65	459206	Bolt - Flange Head 1/4-20 x 5/8
19	111260	Plastic tip - Ht. Adj. †	65	461665	Washer - 5/16 Shake
20	111526	Cable Actuator	66	463778	Bearing Plate
21	111609	Trailing Shield - 22" w/o Ht. Adj.	67	468322	Spacer - Wheel
21	111617	Trailing Shield - 22" w/ Ht. Adj. †	68	468355	Spacer - Pivot
22	120014	Gas Gauge •	69	468397	Spacer - w/o Ht. Adj.
23	120295	Master Link #65	70	468405	Spacer - w/ Ht. Adj. †
24	126466	Blade Adapter	71	714170	Decal-Rating Plate
25	128686	Height Adjuster Assembly	71	715011	Hitch Pin #3
26	144063	Decal - C.P.S.C. Danger	72	715037	Nut - Keps 1/4-20
27	144204	Decal - Blade Warning	73	715086	Locknut Hex - 3/8-16
28	150060	Shoulder Bolt - Rear w/ Ht. Adj. †	74	715607	Washer - Belleville 3/8 †
	459552	Shoulder Bolt - Rear w/o Ht. Adj.	75	715417	Washer - 3/8 S.A.E.
29	150201	Washer - Curved 5/16	76	715508	Nut - Top Lock 1/4-20
30	150235	Wingnut 5/16-18	77	749572	Control - Ground Drive
31	150276	Woodruff Key #6	78	760074	Decal - Engine Control
32	150318	Cable Clamp	79	760330	Decal - Starting Instructions
33	150623	Screw Hex Head Sht. Metal #10 x 5/8	80	764290	Rivet - Pop 3/16
34	151522	Bolt #10-24 x 3/8	81	769067	Bracket - Pinion Tube
35	151613	Bolt - Hex Head Sems	82	771691	Bracket
36	151936	Bolt - Curved Head Sq.	83	775817	Spring - Pinion Assy'y
37	151944	Bolt - Oval Head Machine, #10-24 x2	84	775858	Spring - Drive Control
38	151984	Nut - Hex #10-24	85	778696	Actuator Arm
39	152074	Rope Stop	86	783597	Rod - Engagement w/o Ht. Adj.
40	151985	Screw - Bail Retaining		783613	Rod - Engagement w/ Ht. Adj. †
41	152405	Bolt - Carriage 3/8-16 x 3/4 †	87	463950	Deflector Assembly
42	152413	Washer - Plastic †	88	715193	Roll Pin 3/16 x 1
43	152421	Spring Washer †	89	110379	Cable Tie

• INDICATES OPTIONAL EQUIPMENT

† INDICATES MODEL 21-2261 ONLY