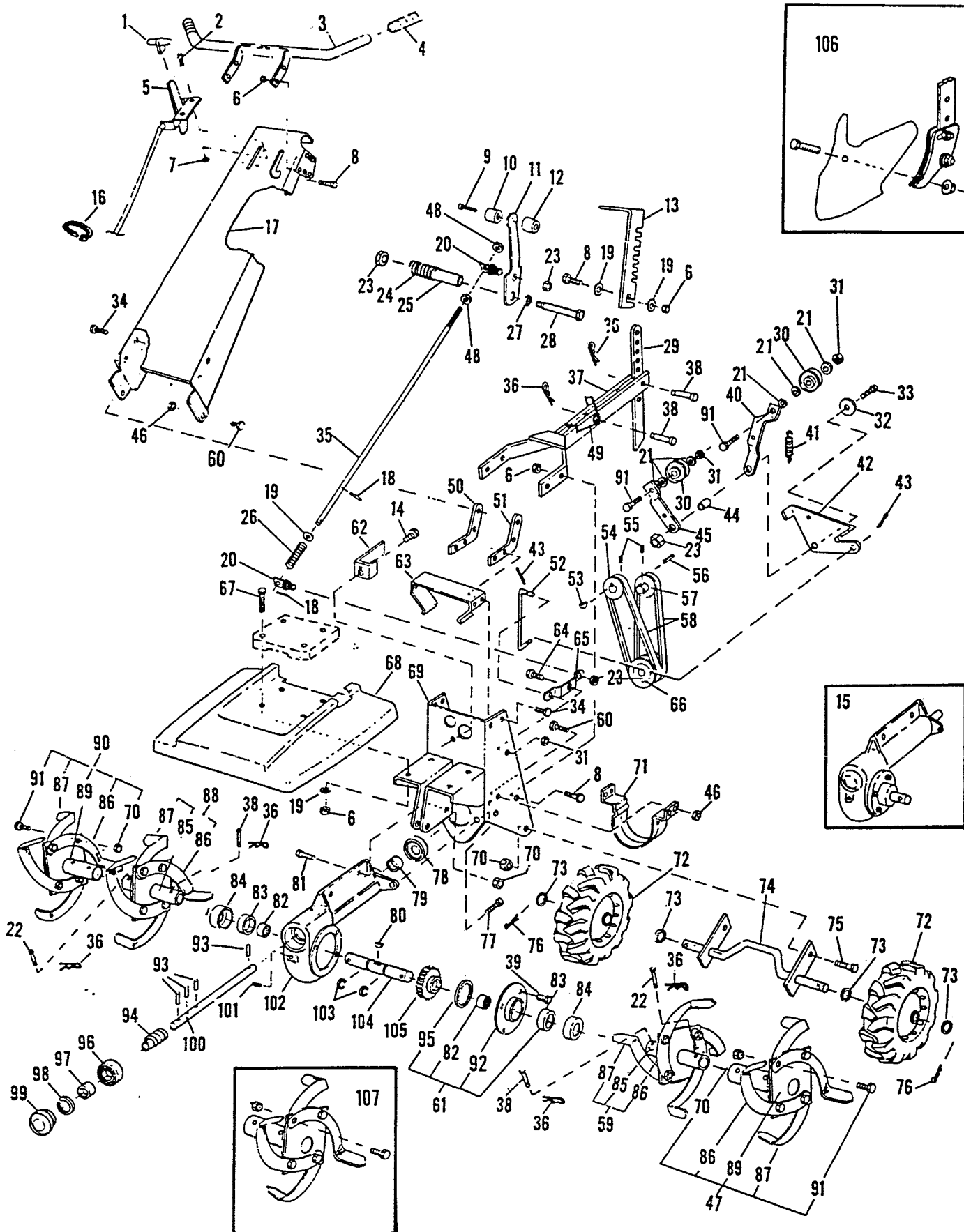


5 HP Gear Drive Tiller With Reverse 23-5016



5 HP Gear Drive Tiller With Reverse 23-5016

511147

PARTS LIST

Ref. No.	Part No.	Description	Ref. No.	Part No.	Description
1	744037	Knob—Throttle	58	421313	Belt—"V"
2	458687	Screw—Hex Hd. 10-24 x 1/2	59	570408	Tine Assembly—Inner L.H.
3	731216	Handle Bar Assembly	60	715052	Bolt—Hex Hd. 1/4-20 x 1/2
4	751032	Grip Handle	61	412353	Housing Cover Assembly
5	781427	Control—Throttle	62	431221	Belt Guide
6	715490	Nut—Hex 5/16-18 Lock	63	570580	Retainer—Belt
7	715334	Nut—Hex 120-24	64	450551	Bolt—Shoulder
8	450346	Bolt—Hex Hd. 5/16-18 x 3/4	65	778985	Arm—Pivot
9	458661	Screw—Round Hd. 10-24 x 1-1/4	66	420869	Pulley Assembly—Gear Box
10	744086	Knob—Plain	67	150250	Bolt—Hex Hd. 5/16-18 x 1-1/2
11	422212	Lever—Engagement	68	570598	Hood—Tine
12	744094	Knob—Threaded	69	570622	Main Support Assembly
13	778340	Arm—Wheel Adjusting	70	715086	Nut—Hex 3/8-16 Locking
14	456897	Screw—Hex Hd. 10-24x3/8 Thread Form	71	430850	Belt Guard—Lower
15	454769	Gear Housing Assembly	72	497917	Wheel Assembly
16	110379	Cable Tie	73	461244	Washer—Flat 21/32
17	570382	Panel Assembly	74	765727	Axle Assembly
18	489393	Roll Pin 1/8 x 3/4	75	460329	Bolt—Shoulder
19	462622	Washer—Flat 5/16	76	317076	Cotter Pin
20	728295	Stud—Control	77	457168	Bolt—Thread Forming 3/8-16 x 7/8
21	461731	Washer—Flat	78	774539	Seal—Oil—Input
22	488825	Clevis Pin 3/8 x 2	79	423616	Bearing Sleeve
23	451419	Nut—Lock 1/4-20 Flange	80	446666	Key
24	775072	Spring—Comp. Short	81	457176	Bolt—Hex Hd. 3/8-16 x 1-1/4
25	468801	Spacer—Tubing	82	423731	Bearing—Needle
26	775080	Spring—Comp. Long	83	774547	Seal—Oil—Output
27	715409	Washer—Curved Spring	84	762203	Shield—Bearing
28	450379	Bolt—Hex Hd. 1/4-20 x 1-3/4	85	788133	Hub Assembly—Inner
29	435032	Drag Bar	86	786475	Tine—Bolo L.H.
30	420745	Idler Pulley Assembly	87	786699	Tine—Bolo R.H.
31	715524	Nut—Lock 3/8-16 Jam	88	570382	Tine Assembly—Inner R.H.
32	469395	Spacer—Idler Arm—Washer	89	788117	Hub Assembly—Outer
33	459909	Bolt—Hex Hd. 1/4 x 1	90	570390	Tine Assembly—Outer R.H.
34	450429	Bolt—Hex Hd. 5/16-18 x 5/8	91	715326	Bolt—Hex Hd. 3/8-16 x 1
35	784009	Rod—Engagement Lever	92	412312	Cover—Gear Housing
36	715011	Cotter—Hairpin	93	314062	Pin—Roll 1/4 x 1-1/8
37	770719	Drag Bracket Assembly	94	416719	Worm
38	489823	Pin Clevis 3/8 x 1-5/8	95	790345	"O"—Ring
39	153601	Screw—1/4-20 x 3/4 Hex Washer Head TF	96	424804	Bearing—Ball
40	777722	Arm—Forward Idler	97	468017	Spacer—End Worm
41	776807	Spring—Extension	98	790220	Retaining Ring
42	453166	Plate—Idler Arm	99	412338	Plate—End Cover
43	489344	Cotter Pin 3/32 x 3/4	100	417436	Shaft—Worm
44	467829	Spacer—Idler Arm	101	426437	Plug—Gear Box
45	778225	Arm—Reserve Idler	102	412312	Housing—Gear
46	715508	Nut—Lock 1/4-20 Lock	103	790451	Retaining Ring
47	570416	Tine Assembly—Outer L.H.	104	417519	Shaft—Output
48	452425	Nut—Hex 5/16-18	105	416776	Gear—Bronze
49	775312	Spring—Height Adjust			
50	770354	Bracket—Handle R.H.			
51	770396	Bracket—Handle L.H.			
52	434027	Link—Connecting			
53	446773	Woodruff Key			
54	420927	Pulley—Reserve			
55	458380	Set Screw—Pulley	106	465832	Furrowing Kit
56	446757	Key—Square 3/16 x 2	107	785758	Tine Extension Kit
57	420430	Pulley—Forward		432849	Worm Gear Oil—8 oz.

OPTIONAL ACCESSORIES