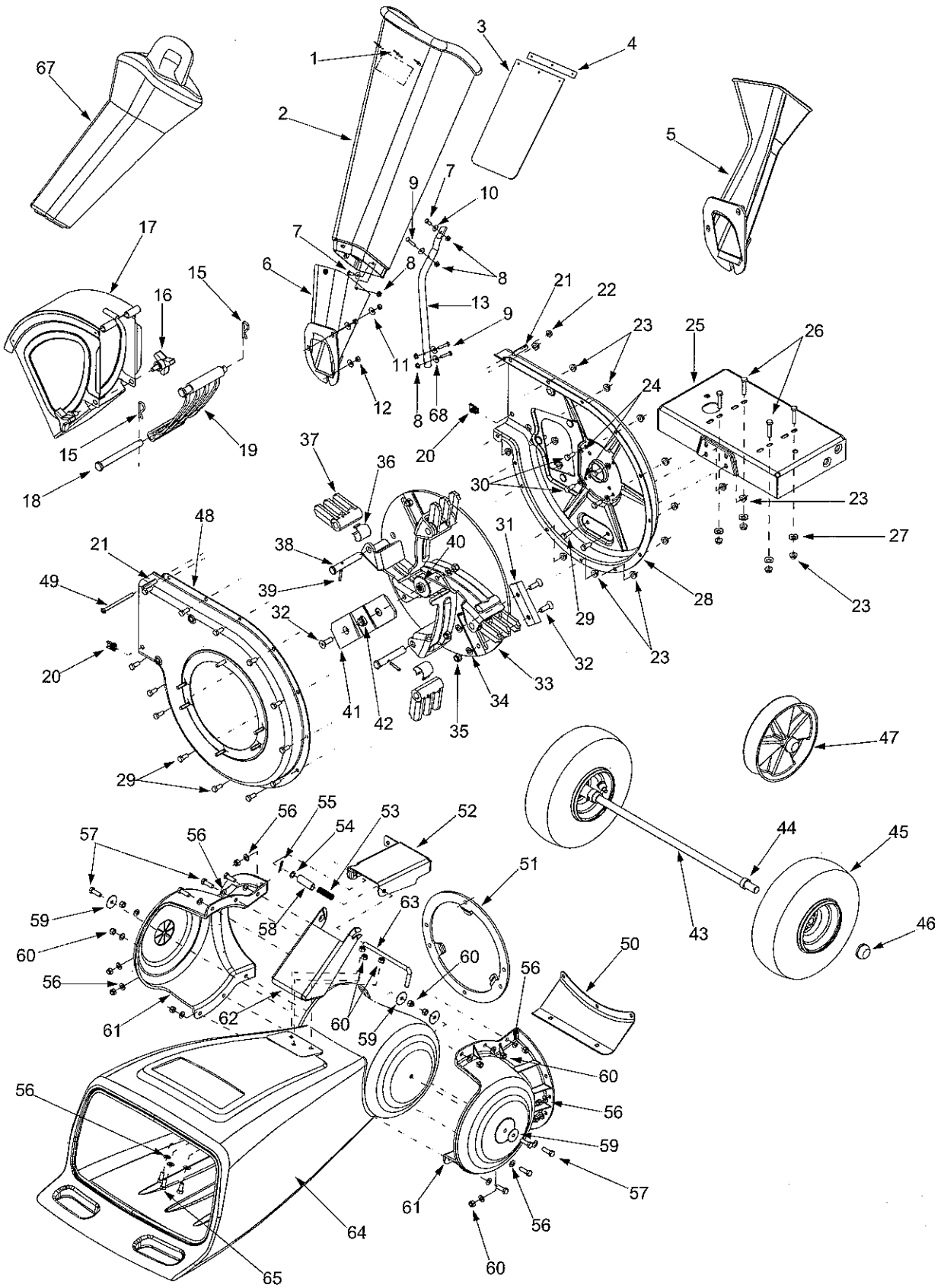


Model Series 462 Thru 465



Model Series 462 Thru 465

Ref. No.	Part No.	Part Description	Ref. No.	Part No.	Part Description
1.	728-0175	Pop Rivet	37.	719-0329	Flail Blade
2.	731-1899	Chipper Chute	38.	711-0833B	Clevis Pin
3.	735-0249	Chute Flap	39.	715-0166	Pin
4.	781-0633	Chute Flap Strip	40.	736-0247	Flat Washer 3/8 x 1.25
5.	681-0095	Chipper Chute †	41.	742-0571	Shredder Blade
6.	681-0068A	Chipper Chute Assembly	42.	710-1254	Hex Cap Screw 3/8-24 x 2.25
7.	710-0751	Hex Cap Screw 1/4 -20 x .620	43.	738-0813	Axle Assembly
8.	712-3027	Hex Lock Nut 1/4-20		738-0814	Axle Assembly †
9.	710-0106	Hex Cap Screw 1/4-20 x 1.25	44.	750-0786	Spacer
10.	736-0173	Flat Washer 28 ID x 74 OD	45.	734-1597A	Wheel Assembly 10.0 x 4.0
11.	736-0242	Bell Washer 340 ID x 872 OD	46.	726-0214	Push Cap
12.	712-3010	Hex Nut 5/16-18	47.	634-04009	Wheel Complete 10 x 4 x 4 †
13.	749-1004	Support Brace		734-1600	Wheel Assembly 10.0 x 2.5 †
15.	714-0149B	Cotter Pin	48.	681-0004A	Outer Impeller Housing Assembly
16.	681-0048	Wing Knob 5/16-18	49.	710-0825	Hex Cap Screw 1/4-20 x 3.75
17.	681-0094	Discharge Chute Assembly	50.	781-0515	Support Bracket
18.	711-0835	Clevis Pin	51.	781-0574	Support Plate
19.	781-0457	Flail Screen	52.	681-0104	Impeller Bracket Assembly
20.	726-0211	U-Nut 5/16-18	53.	732-0306	Compression Spring 1.75
21.	750-0793	Spacer	54.	736-0117	Flat Washer
22.	712-3027	Hex Lock Nut 1/4-20	55.	714-0104	Cotter Pin
23.	712-3004A	Hex Lock Nut 5/16-18	56.	736-0264	Flat Washer .330 ID x .630 OD
24.	736-0119	Lock Washer 5/16	57.	710-0376	Hex Cap Screw 5/16-18 x 1.0
25.	681-0184	Frame	58.	748-0453	Spacer, 375 ID x 2.50 LG
26.	710-0805	Hex Cap Screw 5/16-18 x 1.50	59.	736-0362	Flat Washer .320 ID x 1.25 OD
27.	736-0170	Bell Washer 5/16 x 1.0	60.	712-0429	Hex Lock Nut 5/16-18
28.	681-0117	Inner Impeller Housing Assembly	61.	731-1710	Hopper Collar
29.	710-3008	Hex Cap Screw 5/16-18 x .75	62.	681-0123	Hopper Bracket Assembly
30.	710-0157	Hex Cap Screw 5/16-24 x .75	63.	711-1128	Lock Rod
31.	781-0490	Chipper Blade	64.	731-1707	Hopper Assembly
32.	710-1054	Hex Cap Screw 5/16-24 x 1.0	65.	710-3008	Hex Cap Screw 5/16-18 x .75
33.	681-0030	Impeller Assembly	67.	731-1617	Tamper Plug (If Equipped)
34.	736-0119	Lock Washer 5/16	68.	736-0451	Washer, 320 ID x .93 OD
35.	712-0411	Hex Lock Nut 5/16-24	69.	662-04022	Chipper Bag Assembly ^
36.	781-0735	Pin Clip			

† Model 462 Only

^ Not Shown