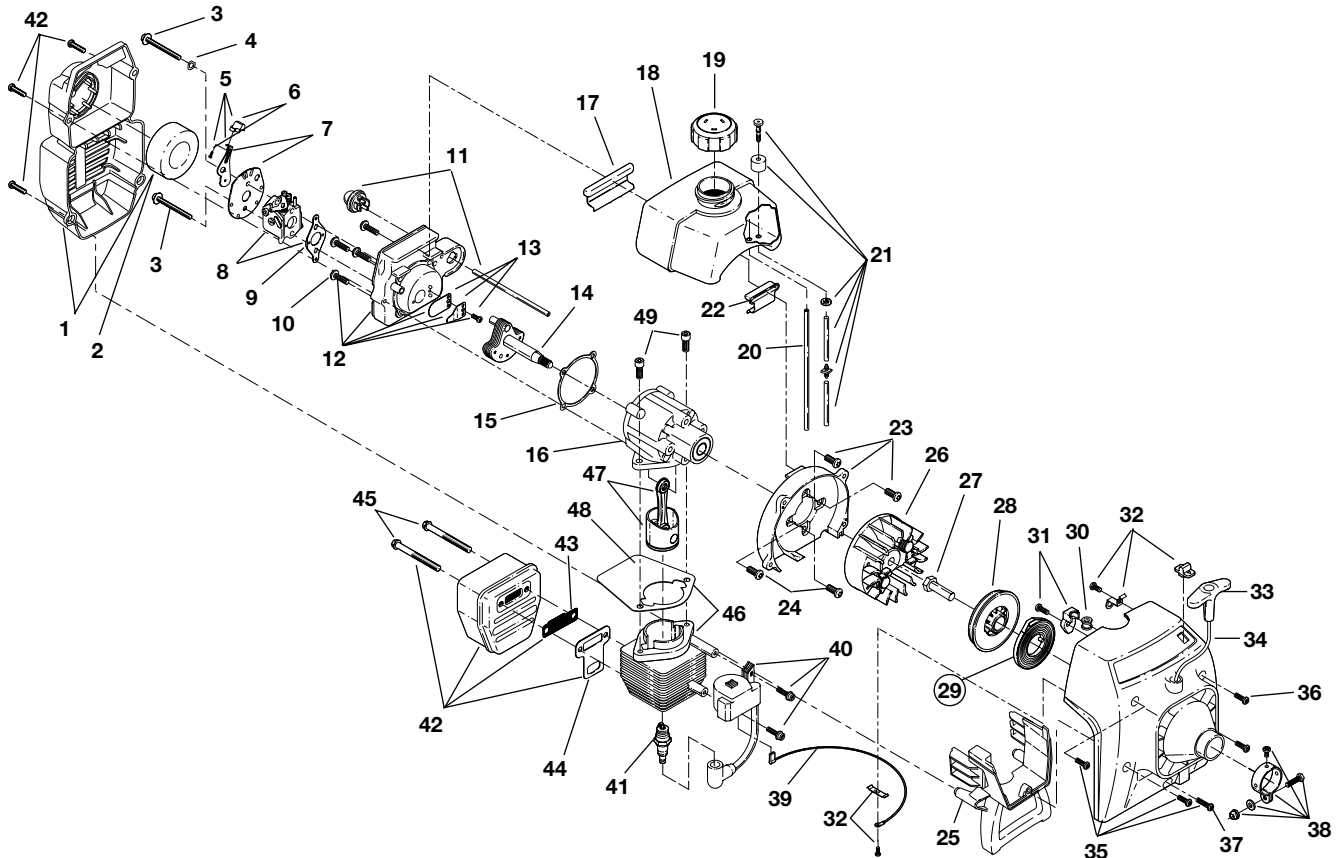


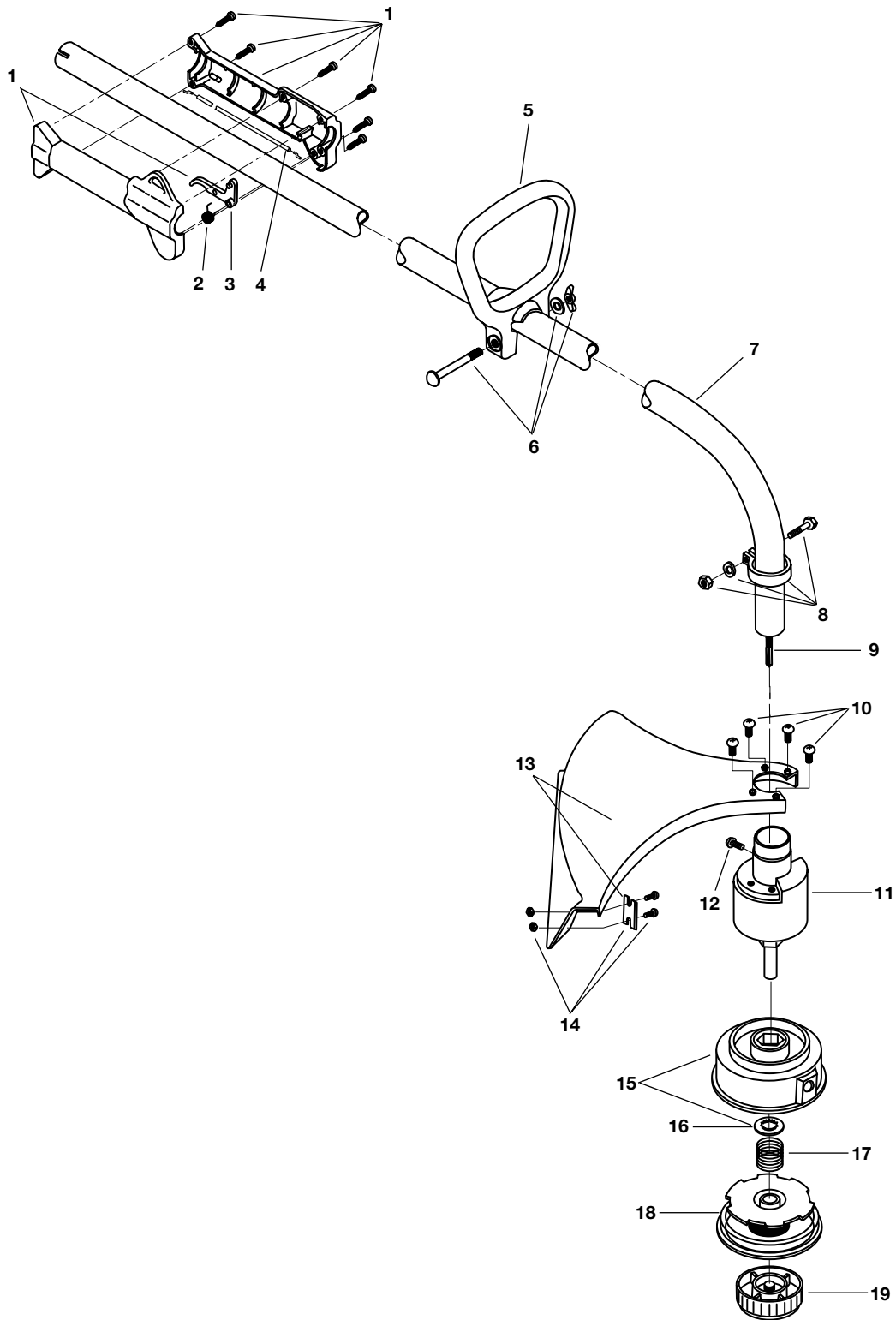
SECTION 9: PARTS LIST FOR MODEL 41AD-280G000



MODEL 41AD-280G000

| Ref. No. | Part No. | Part Description | Ref. No. | Part No. | Part Description |
|----------|----------|--|----------|-----------|---|
| 1 | 182059 | Air Cleaner/Muffler Cover Assembly (includes 2 & 42) | 31 | 181889 | Pulley Retainer Assembly |
| 2 | 180350 | Air Cleaner Filter | 32 | 182827 | Switch Assembly (includes 39) |
| 3 | 181345 | Carburetor Mounting Screw Assembly | 33 | 181079 | Pull Handle |
| 4 | 180226 | Wavey Washer | 34 | 613103 | Rope |
| 5 | 182160 | Choke Lever Assembly (includes 6) | 35 | 182828 | Starter Housing Assembly (includes 28-34 & 39) |
| 6 | 182161 | Choke Knob and Screw | 36 | 181862 | Housing Screw |
| 7 | 182162 | Choke Lever and Plate (includes 5) | 37 | 181345 | Cover Screw |
| 8 | 182062 | Carburetor Assembly W/Limiter Caps (includes 9 & 21) | 38 | 153597 | Upper Clamp Assembly |
| 9 | 610675 | Carburetor Gasket | 39 | 180036 | Wire Lead |
| 10 | 181860 | Carb Mount Screw | 40 | 181937 | Module Assembly |
| 11 | 182616 | Primer and Hose Assembly | 41 | 610311 | Spark Plug |
| 12 | 182063 | Carb Mount Assembly (includes 10 & 15) | 42 | 182066 | Muffler Assembly (includes 43-45) |
| 13 | 684451 | Reed Assembly | 43 | 182747 | Spark Arrestor |
| 14 | 181866 | Power Shaft Assembly | 44 | 182065 | Exhaust Gasket |
| 15 | 612115 | Carburetor Mount Gasket | 45 | 147575 | Muffler Mounting Bolt Assembly |
| 16 | 181865 | Crank Case Service Assembly (includes 10, 14 & 24) | 46 | 181622 | Cylinder Assembly (includes 48 & 49) |
| 17 | 612134 | Rear Mounting Pad | 47 | 684449 | Piston and Rod Assembly |
| 18 | 181152 | Fuel Tank Assembly (includes 19-21) | 48 | 610674 | Cylinder Gasket |
| 19 | 180000 | Fuel Cap Assembly | 49 | 182505 | Cylinder Bolt |
| 20 | 181168 | Fuel Return Line | * | 182067 | Engine Gasket Kit |
| 21 | 682039 | Fuel Line Assembly | * | 180602 | O.E.M. Carburetor Repair Kit (Walbro) |
| 22 | 145308 | Front Mounting Pad | * | 180090 | O.E.M. Carburetor Repair Kit (Zama) |
| 23 | 153520 | Shroud Assembly | * | 181069 | Gasket Diaphragm Repair Kit (Walbro) |
| 24 | 181861 | Shroud Screw | * | 180091 | Gasket Diaphragm Repair Kit (Zama) |
| 25 | 182064 | Shroud Extension and Stand | * | 180530 | Piston Ring |
| 26 | 181867 | Flywheel Assembly | * | 182792 | Short Block Assembly (includes 10, 14, 16, 24, 41, 46-49) |
| 27 | 610303 | Square Nut Drive | * | 181501 | Starter Housing Screw Set |
| 28 | 181597 | Recoil Pulley Assembly | * | 610309 | Crankcase Seal |
| 29 | 613102 | Recoil Spring | | | |
| 30 | 611061 | Rope Guide | * | Not Shown | |

MODEL 41AD-280G000



MODEL 41AD-280G000

Optional Accessories

| Ref. No. | Part No. | Part Description | Ref. No. | Part No. | Part Description |
|----------|----------|--|----------|-----------|-------------------------------------|
| 1 | 182093 | Throttle Housing and Trigger Assembly (includes 2 & 3) | * | 610375 | Replacement Line, 0.80 Diameter |
| 2 | 610314 | Throttle Trigger Spring | * | 153577 | Reel and Line Assembly |
| 3 | 180975 | Throttle Trigger | * | 180897 | Bump Head Assembly (includes 15-19) |
| 4 | 182068 | Throttle Cable Assembly | * | 682075 | Shoulder Strap Assembly |
| 5 | 145819 | D-Handle Assembly | * | 182780 | Arnold 2-Cycle Oil |
| 6 | 181587 | D-Handle Hardware | * | not shown | |
| 7 | 181893 | Drive Shaft Housing Assembly | | | |
| 8 | 153597 | Lower Clamp Assembly | | | |
| 9 | 682064 | Flexible Drive Shaft | | | |
| 10 | 180531 | Shield Mounting Screw | | | |
| 11 | 181784 | Bushing Housing Assembly with Spool Shaft | | | |
| 12 | 145569 | Anti-Rotation Screw | | | |
| 13 | 683274 | Shield and Blade Assembly (includes 14) | | | |
| 14 | 682061 | Blade Assembly | | | |
| 15 | 153619 | Outer Spool and Eyelet Assembly (includes 16) | | | |
| 16 | 610660 | Retainer | | | |
| 17 | 610317 | Spring | | | |
| 18 | 610318 | Inner Reel | | | |
| 19 | 153066 | Bump Head Knob Assembly | | | |