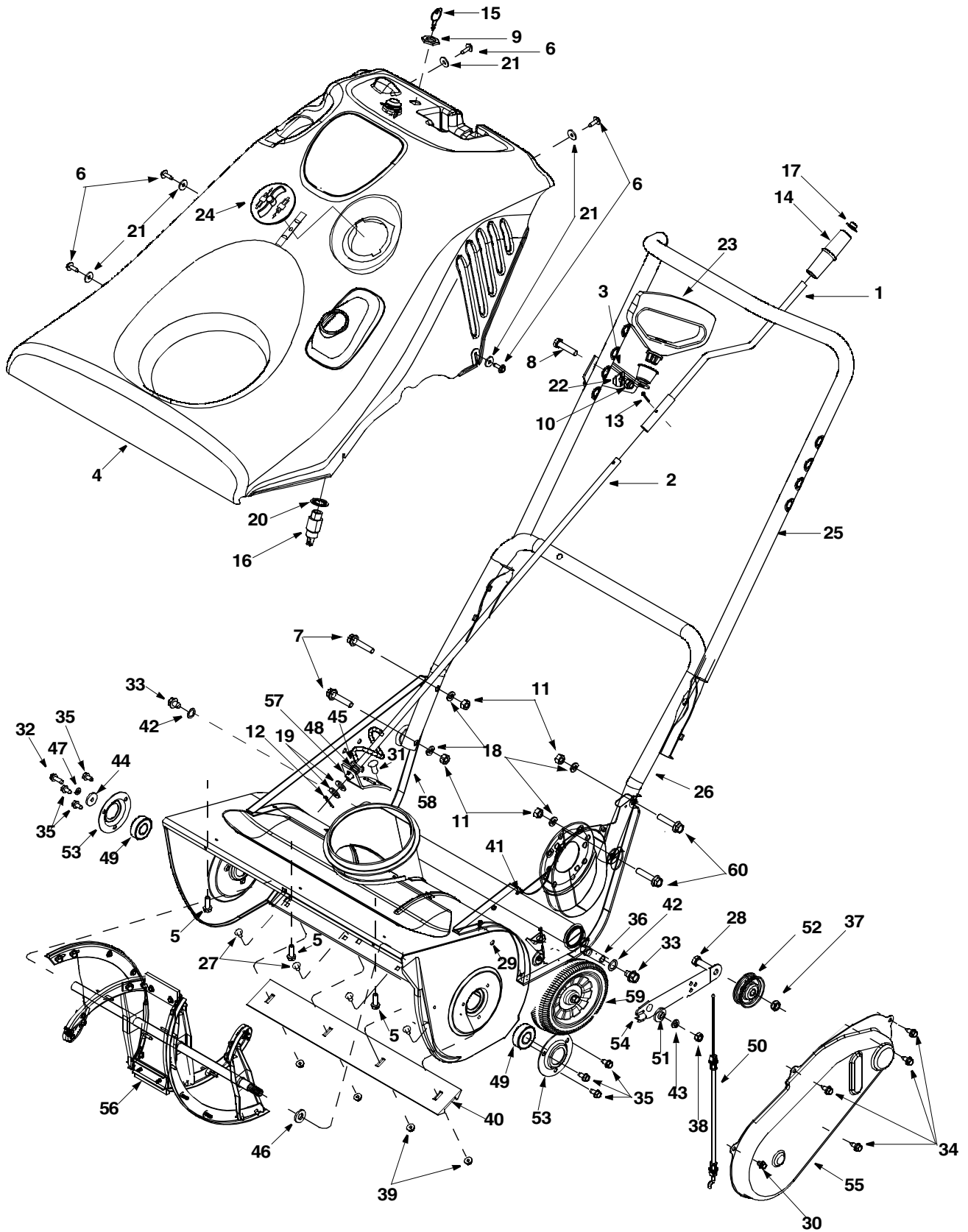


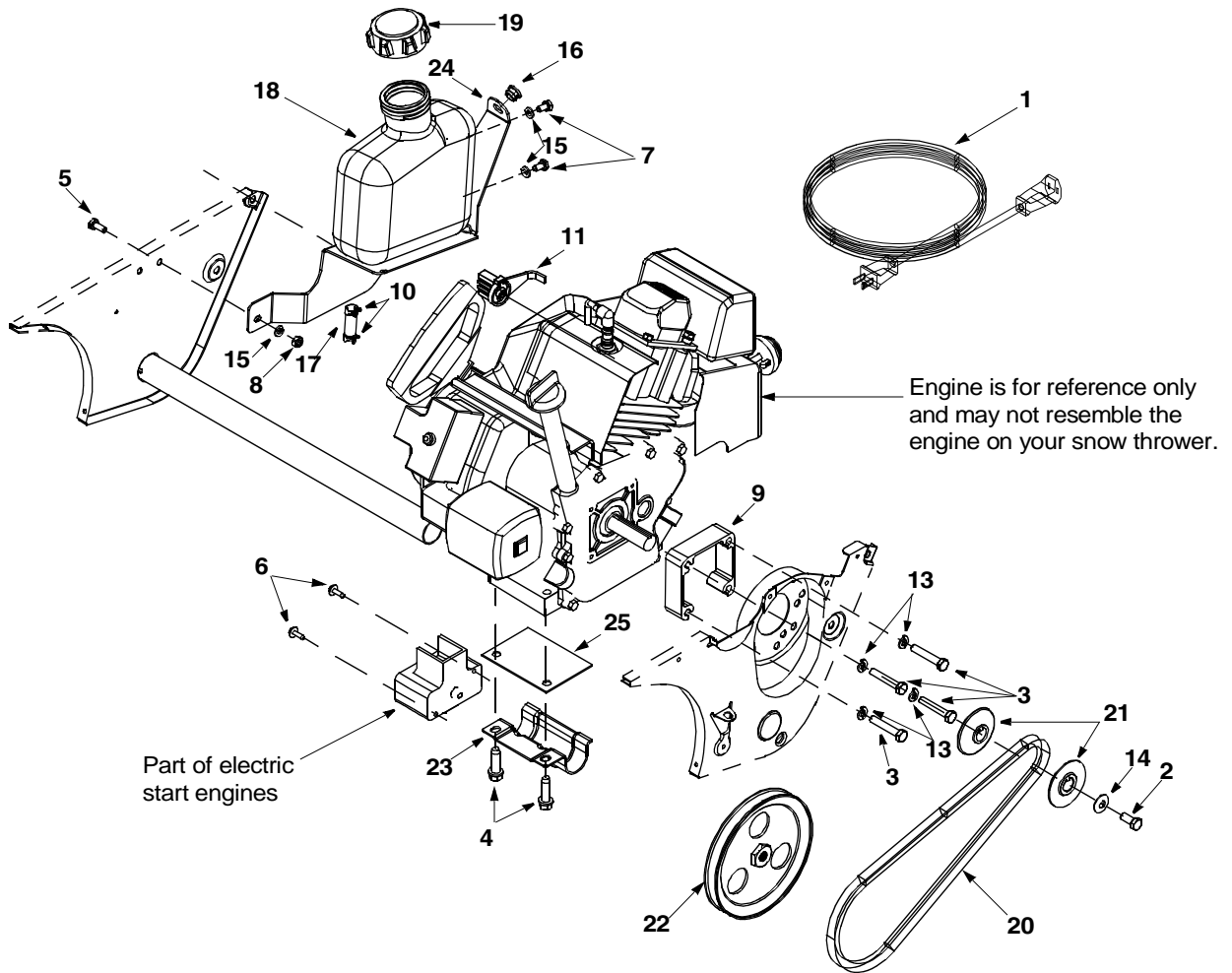
# Models 285, 295, E285 AND E295



# Models 285, 295, E285 and E295

Ref. No.	Part No.	Part Description	Ref. No.	Part No.	Part Description
1.	684-0174	Upper Chute Crank Assembly	30.	710-0352	B Screw 1/4-14 x 0.375"
2.	684-0177	Lower Chute Crank Assembly	31.	710-0451	Carriage Bolt
3.	684-0178	Bracket Assembly: Mitten Grip	32.	710-0642	TT Screw 1/4-20 x 0.75"
4.	731-2570	Shroud: Yellow, 7 Hp. Electric	33.	710-0773	TT Screw 3/8-16 x 0.5"
	731-2571	Shroud: Yellow, 5 Hp. Electric	34.	710-0896	AB Screw 1/4-14 x 0.625"
	731-2607	Shroud: Yellow, 5 Hp. Recoil	35.	710-1005	B Screw 1/4-14 x 0.5"
5.	710-0895	TT Screw 1/4-15 x 0.75"	36.	711-0848A	Axle Tube
6.	710-1003	B Screw #10-16 x 0.625"	37.	712-0116	Jam Lock Nut
7.	710-1882	Hex Fl. Screw 5/16-18 x 1.5"	38.	712-3010	Hex Nut 5/16-18
8.	710-3083	Hex Bolt 5/16-18 x 1.375"	39.	712-3027	Lock Nut
9.	712-0252	Jam Nut	40.	731-1033	Shave Plate
10.	712-0429	Lock Nut	41.	732-0357A	Extension Spring
11.	712-3010	Hex Nut 5/16-18	42.	736-0108	Flat Washer
12.	714-0104	Cotter Pin	43.	736-0119	Lock Washer
13.	714-0507	Cotter Pin	44.	736-0176	Flat Washer
14.	720-0201A	Knob: Chute Crank	45.	736-0242	Beleville Washer
15.	725-0201	Ignition Key	46.	736-0326	Flat Washer
16.	725-2018	Switch: Electric Start Key	47.	736-0329	Lock Washer
17.	726-0100	Push Cap	48.	741-0475	Plastic Bushing
18.	736-0119	Lock Washer	49.	741-0600	Ball Bearing
19.	736-0185	Flat Washer	50.	746-0910A	Clutch Cable
20.	736-0225	Internal Lock Washer	51.	748-0234	Shoulder Spacer
21.	736-0400	Flat Washer	52.	756-0313	Flat Idler
22.	736-0451	Saddle Washer	53.	784-5174	Bearing Cup
23.	7519636	Mitten Grip Handle	54.	784-5175B	Bracket: Brake Idler
24.	684-0190	Spark Plug Access	55.	784-5176	Belt Cover
25.	749-0711A	Upper Handle: Gull Wing	56.	784-5485	Auger Assembly
26.	749-0796B	Lower Handle	57.	784-5720	Chute Crank Bracket
27.	710-0167	Carriage Screw 1/4-20 x 0.50"	58.	684-0196	Auger Housing Assembly
28.	710-0191	Hex Bolt	59.	734-1799	Wheel Assembly
29.	710-0323	Machine Screw	60.	710-1090	Hex Fl. Screw 5/16-18 x 1.25"

# Models 285, 295, E285 and E295

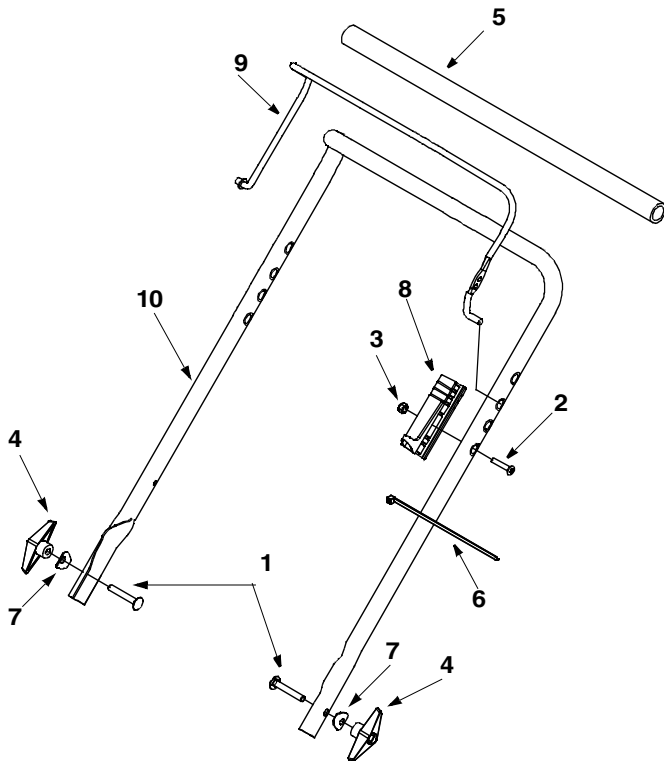


Ref. No.	Part No.	Description	Ref. No.	Part No.	Description
1.	629-0071	Extension Cord †	14.	736-0242	Beleville Washer
2.	710-0157	Hex Bolt 5/16-24 x 0.75"	15.	736-0329	Lock Washer
3.	710-0409	Hex Bolt 5/16-24 x 1.75"	16.	741-0475	Plastic Bushing
4.	710-0502A	TT Sems Screw	17.	751-0535	Fuel Line Hose
5.	710-0751	Hex Screw 1/4-20 x 0.620"	18.	751-0540A	Gas Tank
6.	710-1003	B Screw #10-16 x 0.625" †	19.	751-0603	Fuel Cap
7.	710-3013	Hex Screw 1/4-20 x 0.50"	20.	754-0101A	V-Belt
8.	712-3006	Hex Nut 1/4-20	21.	756-0416B	V-Pulley Half
9.	719-0581	Spacer	22.	756-0475	Pulley
10.	726-0205	Hose Clamp	23.	784-0322	Engine Mount
11.	731-2825	Choke Knob	24.	784-0323	Support Bracket
13.	736-0119	Lock Washer	25.	784-0374	Support Plate: Engine Mount ‡

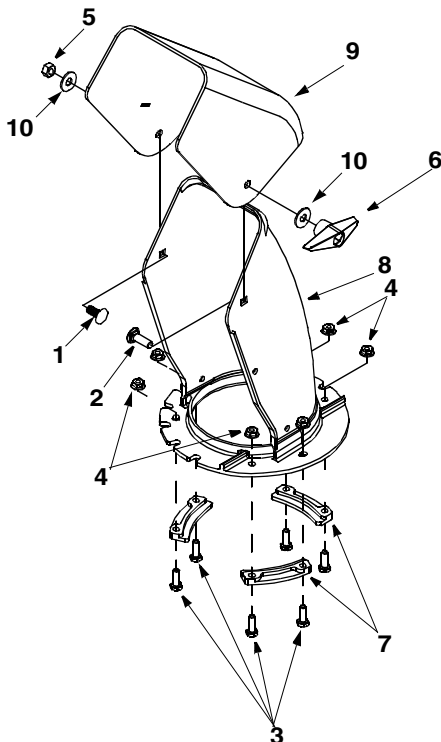
† For Electric Start models only

‡ For Model E295 only

# Models 285, 295, E285 and E295



Ref. No.	Part No.	Description
1.	710-0487	Carriage Screw 5/16-18 x 2.0"
2.	710-1270	Machine Screw
3.	712-0324	Hex Lock Nut 1/4-20
4.	720-0284	Hand Knob w/ Wing Nut
5.	720-0295	Foam Grip
6.	725-0157	Cable Tie
7.	736-0451	Saddle Washer
8.	746-0883	Control Housing
9.	747-0956	Auger Bail
10.	749-0711A	Upper Handle: Gull Wing



Ref. No.	Part No.	Description
1.	710-04071	Carriage Bolt 5/16-18 x 1.0"
2.	710-0451	Carriage Bolt 5/16-18 x 0.750"
3.	710-3015	Hex Screw 1/4-20 x 0.75"
4.	712-3027	Lock Nut
5.	712-3068	Hex Lock Nut
6.	720-0284	Hand Knob
7.	731-0851A	Flange Keeper: Chute
8.	731-0915C	Lower Chute
9.	731-0921	Upper Chute
10.	736-0159	Washer