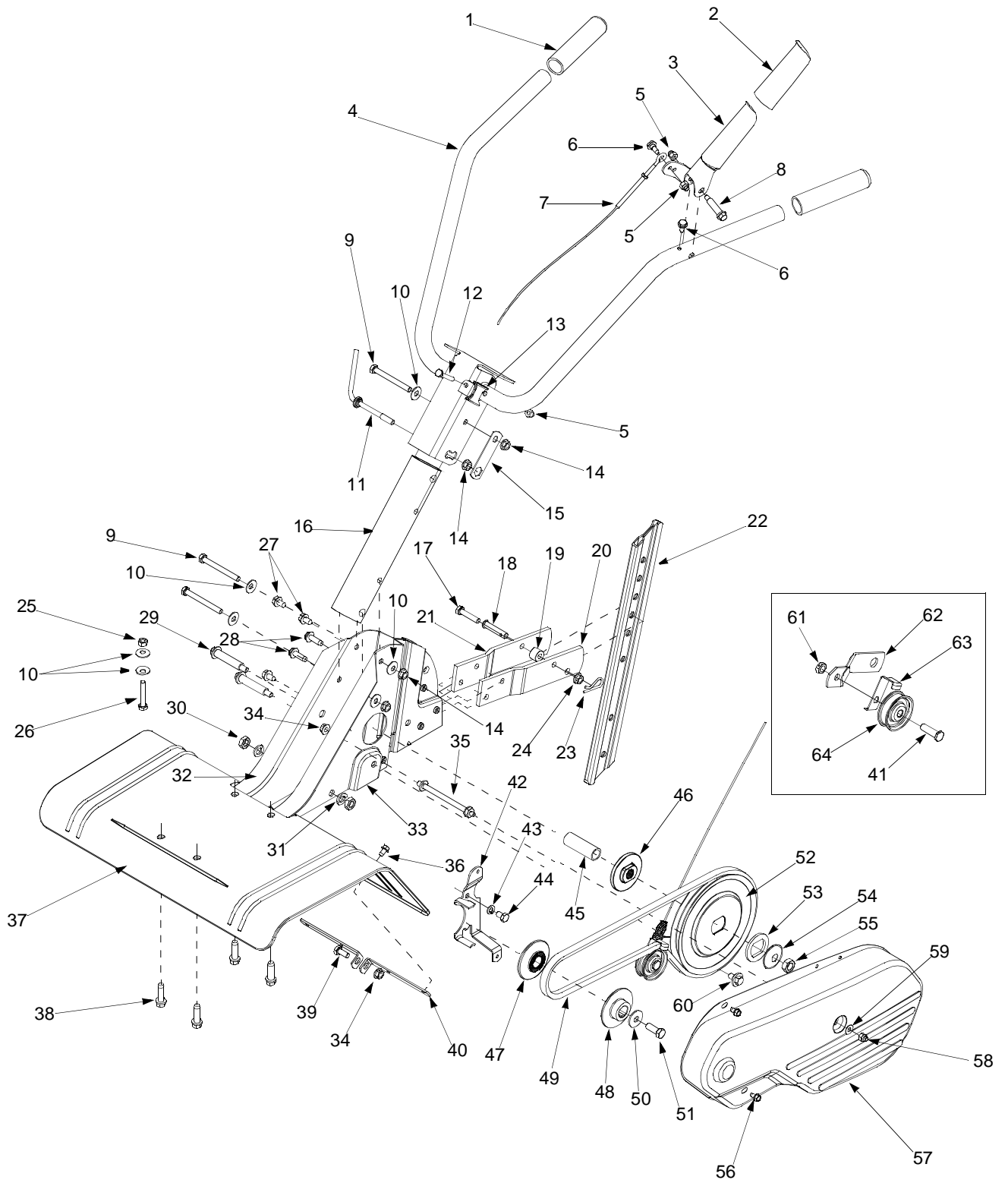


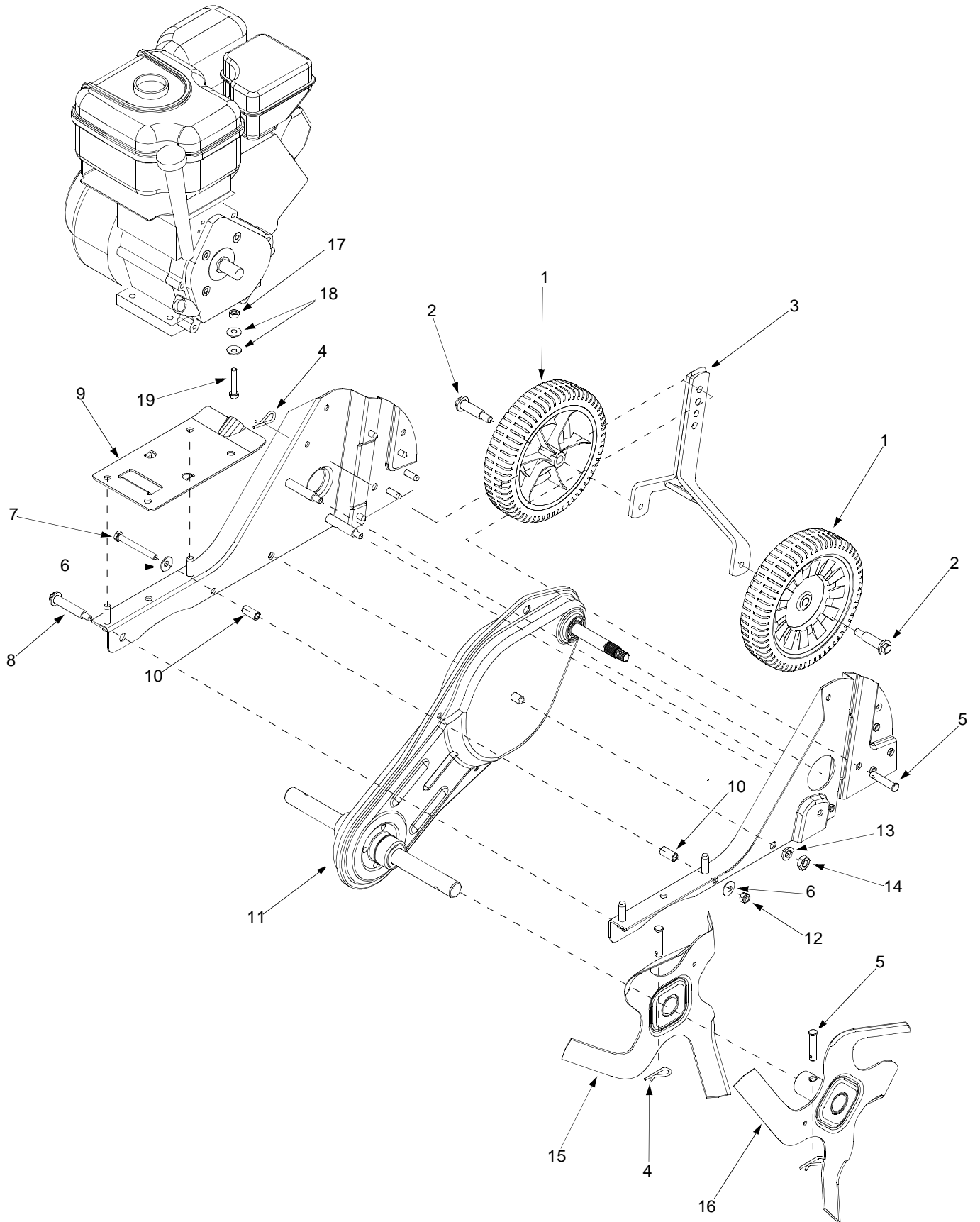
# Model 332C



# Model 332

Ref. No.	Part No.	Part Description	Ref. No.	Part No.	Part Description
1.	720-0274	Grip	34.	712-3004A	Flange Lock Nut 5/16-18
2.	731-0473	Clutch Grip	35.	711-0919	Belt Cover Belt
3.	686-0002	Clutch Lever	36.	710-0599	Hex Washer Screw 1/4-20 x .500
4.	649-0137	Handle Assembly	37.	786-0035A	Tine Shield 20"
5.	712-0442	Lock Nut Cap 1/4-20	38.	710-0502A	Hex Washer Screw 3/8-16 x 1.25
6.	738-1225	Shoulder Screw	39.	710-3008	Hex Cap Screw 5/16-18
7.	746-1148	Clutch Cable	40.	786-0053	Tine Shield Bracket 20"
8.	738-1226	Shoulder Screw	41.	710-0723	Hex Cap Screw 3/8-16 x 1.25
9.	710-0189	Hex Cap Screw 5/16-18 x 3.0	42.	786-0039B	Cover Bracket
10.	736-0242	Bell Washer .340 ID x .872 OD	43.	736-0119	Lock Washer 5/16
11.	786-0340	Adjustable Handle Crank	44.	710-0107	Hex Cap Screw 5/16-24 x .50
12.	710-0606	Hex Cap Screw 1/4-20 x 1.5	45.	750-0892	Input Spacer .64 ID x 2.4 Lg
13.	719-0279	Rope Guide	46.	748-0350	Pulley Adapter
14.	712-0720	Flange Nut 5/16-18	47.	756-0971	Engine Inner Half Pulley
15.	786-0341	Retainer Bracket	48.	756-0972	Engine Outer Half Pulley
16.	649-0136	Handle Tube	49.	754-0428	Belt
17.	710-0805	Hex Cap Screw 5/16-18 x 1.5	50.	736-0452	Bell Washer .396 ID x 1.140 OD
18.	711-0415	Clevis Pin 3/8 x 1.62	51.	710-0152	Hex Cap Screw 3/8-24 x 1.0
19.	750-0890	Spacer	52.	756-0585	Flat Pulley
20.	786-0003	Tailpiece Bracket LH	53.	736-0312	Retainer Bearing Washer
21.	786-0004	Tailpiece Bracket RH	54.	736-0112	Spherical Washer .531 ID x .620 OD
22.	786-0005	Depth Bar	55.	712-3029	Jam Nut 1/2-20
23.	714-0149B	Cotter Pin	56.	710-0599	Hex Washer Screw 1/4-20 x .50
24.	712-3004A	Hex Flange Locknut 5/16-18	57.	786-0056	Cover Belt
25.	712-3010	Hex Nut 5/16-18	58.	712-0392	Lock Nut Cap 1/4-28
26.	710-3180	Hex Cap Screw 5/16-18 x 1.75	59.	736-3020	Flat Washer .271 ID x .630 OD
27.	710-0604A	Hex Washer Screw 5/16-18 x .625	60.	738-0930	Shoulder Screw
28.	710-0602	Hex Washer Screw 5/16-18 x 1.0	61.	712-0266	Jam Nut 3/8-16
29.	738-0934	Shoulder Screw	62.	786-0144	Idler Bracket
30.	712-0240	Jam Nut 7/16-20	63.	786-0149	Idler Keeper Bracket
31.	736-0171	Lock Washer 7/16	64.	756-0313	Flat Idler
32.	786-0138A	Frame RH	65.		
33.	786-0139A	Frame LH			

# Model 332



# Model 332

<b>Ref. No.</b>	<b>Part No.</b>	<b>Part Description</b>	<b>Ref. No.</b>	<b>Part No.</b>	<b>Part Description</b>
1.	734-1781	Wheel 8 x 1.75	12.	712-0429	Hex Lock Nut 5/16-18
2.	738-0929	Shoulder Screw	13.	736-0171	Lock Washer 7/16
3.	686-0081A	Wheel Bracket Assembly	14.	712-0240	Jam Nut 7/16-20
4.	714-0149B	Cotter Pin	15.	642-0002	Inner Tine Assembly - RH 12"
5.	711-0415	Clevis Pin		642-0003	Inner Tine Assembly - LH 12"
6.	736-0242	Bell Washer .340 ID x .872 OD	16.	642-0004	Outer Tine Assembly -RH 12"
7.	710-0189	Hex Cap Screw 5/16-18 x 3.0		642-0005	Outer Tine Assembly - LH 12"
8.	738-0934	Shoulder Screw	17.	712-3010	Hex Nut 5/16-18
9.	786-0145A	Engine Mounting Plate	18.	736-0242	Bell Washer .340 ID x .872 OD
10.	750-0470	Spacer .47 OD x .96Lg	19.	710-3180	Hex Cap Screw 5/16-18 x 1.75
11.	686-0091	Chain Case Assembly			