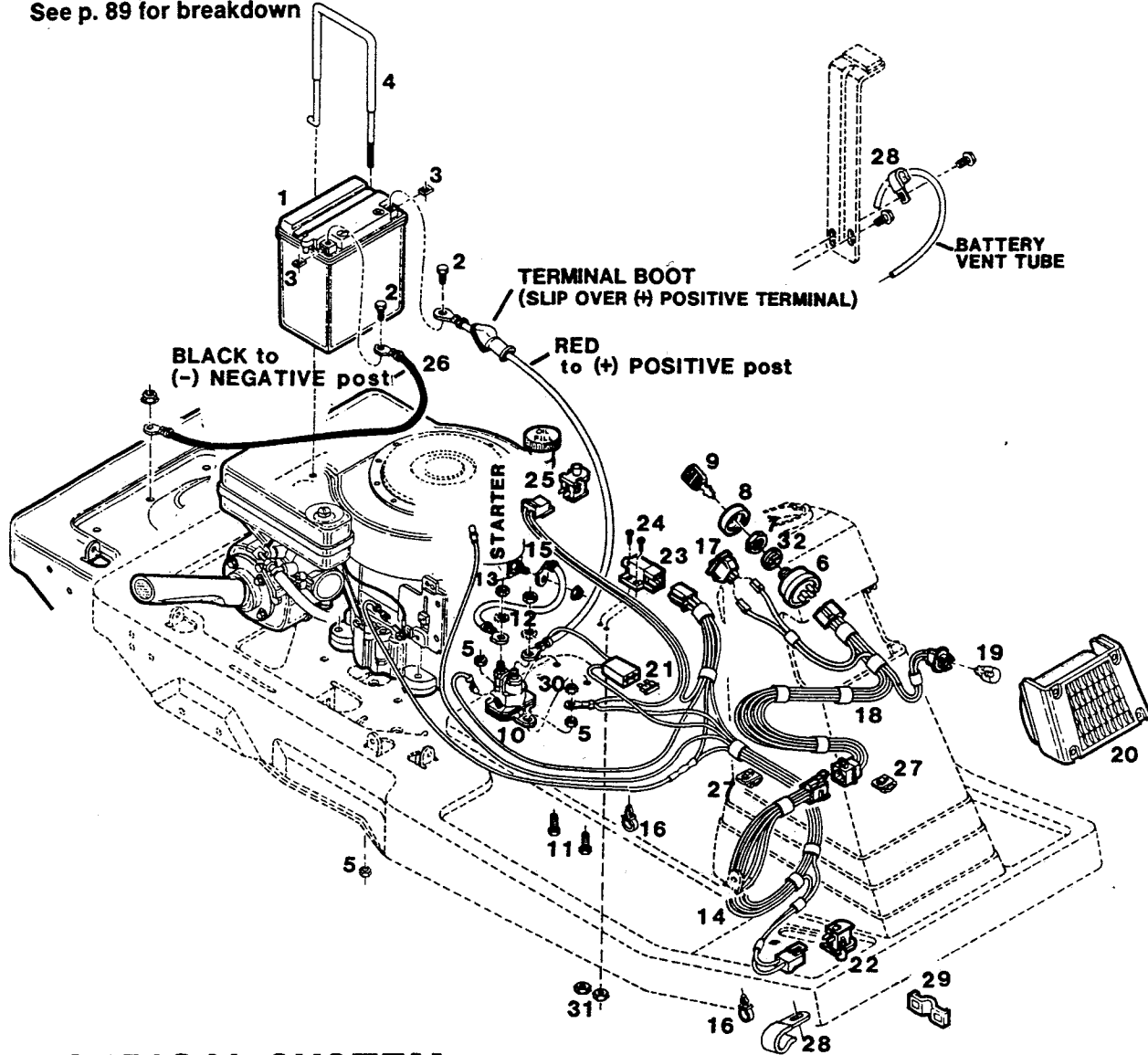


**MODEL 340L**  
**10.5 HP 30" Cut Rear-Engine Riding Mower**  
**Uses Grass Catcher Assembly Model G30**  
**Grass Catcher P/N 230052**  
**See p. 89 for breakdown**



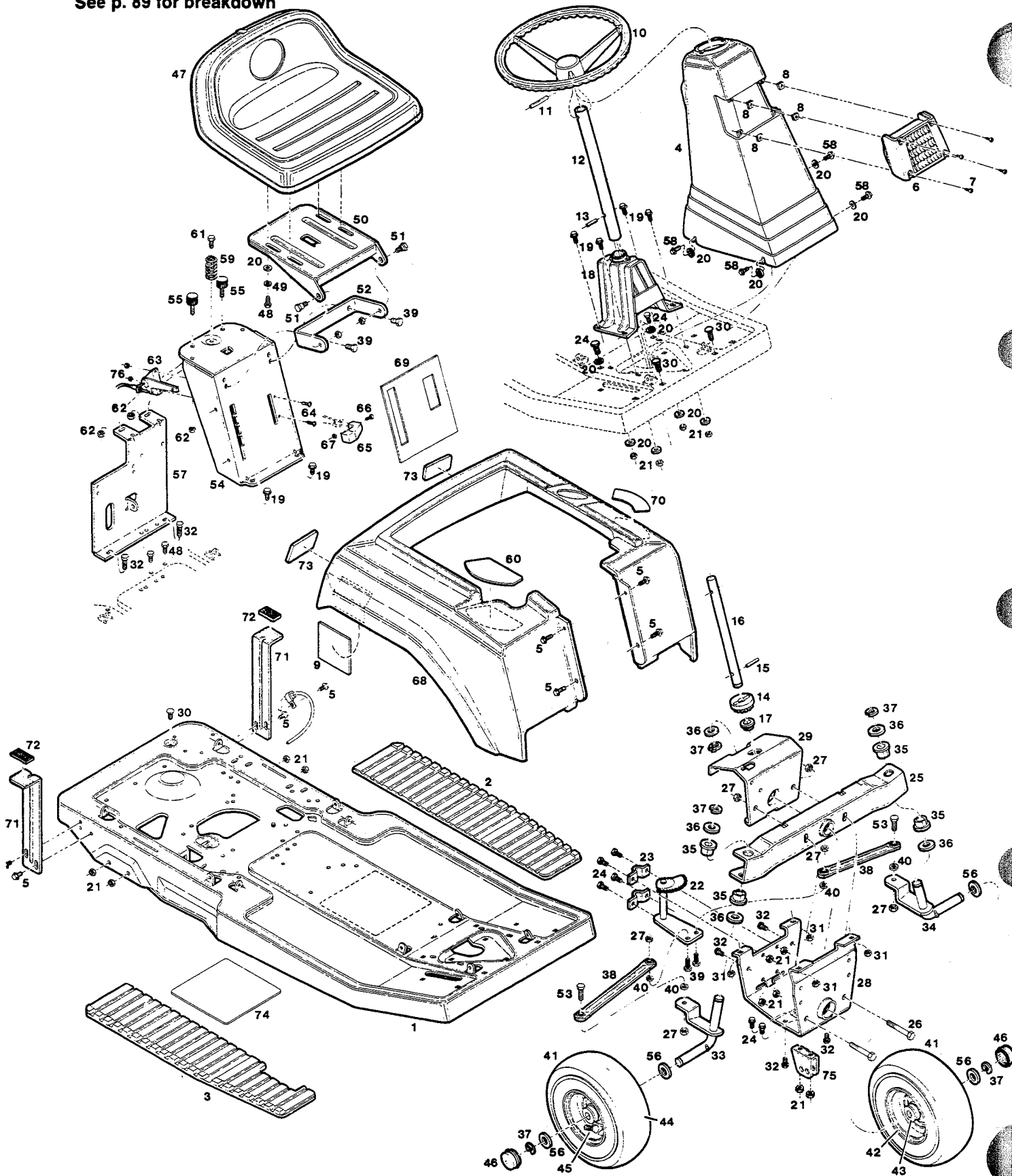
## ELECTRICAL SYSTEM

Index No.	Part No.	Description	Index No.	Part No.	Description
1	138206	Battery - 12 volt, dry	18	136838	Harness - headlight
2	**	Bolt - hex, special	19	135533	Bulb - headlight
3	**	Nut - square, special	20	175802	Lens - headlight
4	178970	Clamp - battery hold-down	21		Fuse - 15 amp (purchase locally)
5	616375	Nut - hex lock 1/4-20	22	138776	Switch - safety, neutral start
6	135798	Switch - ignition w/o key	23	138925	Switch - interlock, mower drive
7	310102	Nut - hex 5/8-32	24	715367	Screw - machine #10-24 x 1/2
8	112698	Boot - ignition switch	25	138750	Switch - seat
9	136242	Key - ignition	26	134908	Wire - battery ground, black
10	134940	Solenoid - starter	27	138172	Clip - wiring, metal
11	158121	Bolt - hex 1/4-20 x 3/4	28	135145	Retainer - wire
12	152975	Washer - ext tooth lock 5/16	29	134676	Clip - wire, press-on
13	157974	Nut - hex 5/16-24	30	452615	Nut - hex 1/4-20 nylok
14	138842	Harness - wiring	31	452318	Nut - hex nylok #10-24
15	138826	Wire - solenoid to starter, red	32	311241	Washer - lock int. tooth
16	138180	Retainer - harness, plastic	--	007633	Decal - ignition/light switches
17	135814	Switch - headlight	--	114066	Kit - battery cable bolts and vent hose

\*\* Purchase 114066 Hardware and Vent Hose Kit

S/N 231589  
P/L 189951  
O/M 189936  
E/M 188953  
P/B 136713

**MODEL 340L**  
**10.5 HP 30" Cut Rear-Engine Riding Mower**  
**Uses Grass Catcher Assembly Model G30**  
**Grass Catcher P/N 230052**  
**See p. 89 for breakdown**



S/N 231589  
P/L 189951  
O/M 189936  
E/M 188953  
P/B 136713

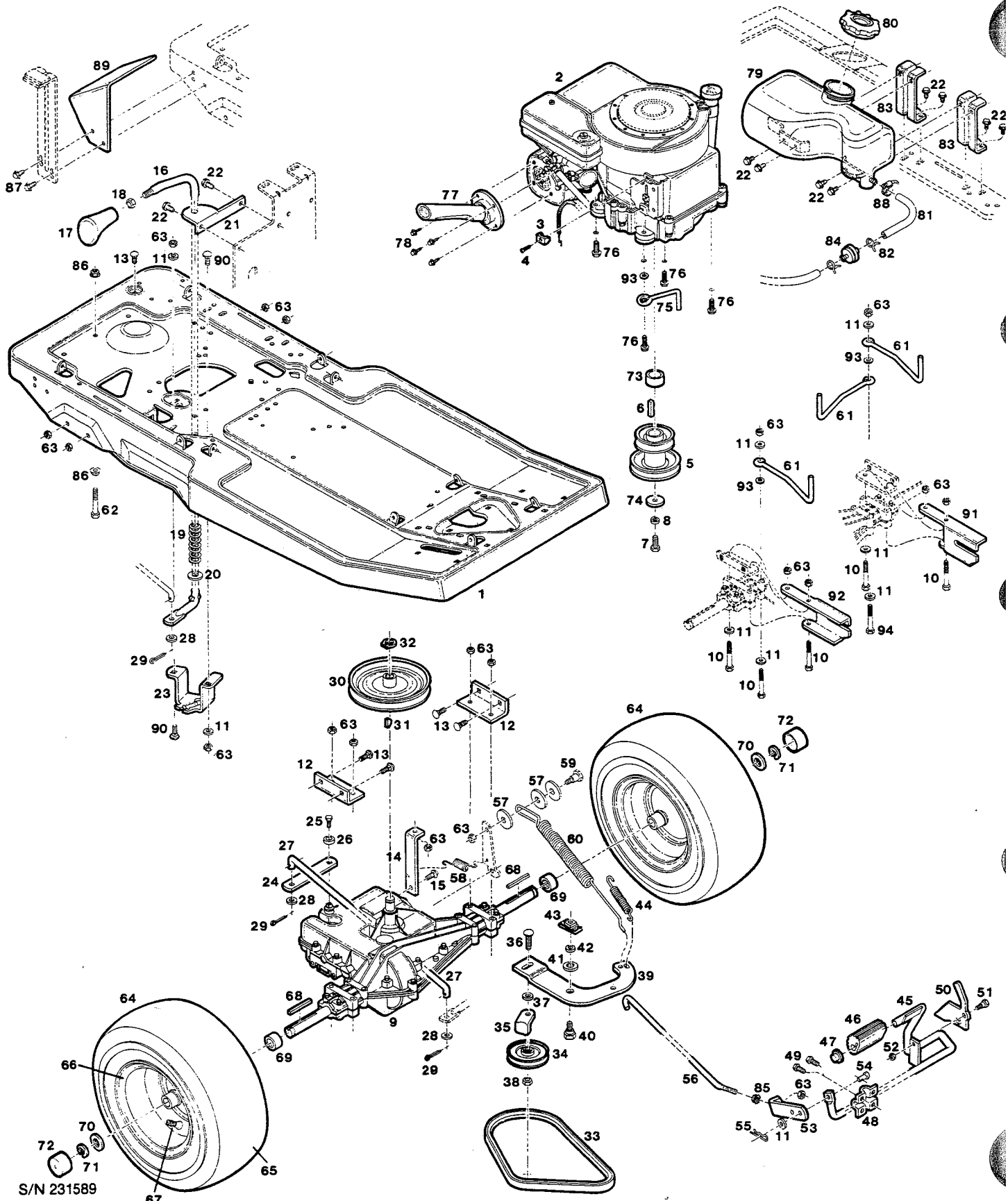
**MODEL 340L**  
**10.5 HP 30" Cut Rear-Engine Riding Mower**  
**Uses Grass Catcher Assembly Model G30**  
**Grass Catcher P/N 230052**  
**See p. 89 for breakdown**

**MAIN FRAME**

Index No.	Part No.	Description	Index No.	Part No.	Description
1	019265	Frame - main	41	042796	Wheel - front w/tire & bearings
2	114058	Pad - footrest LH	42	042812	Rim - front wheel
3	114041	Pad - footrest RH	43	162313	Bearing - wheel
4	112888	Console - steering column	44	042382	Tire - front 11x4.00 tubeless
5	158089	Screw - hex taptite 1/4-20 x 1/2	45	136291	Stem - valve w/cap
6	175802	Lens - headlight w/reflector	46	112409	Cap - hub, front wheel
7	158865	Screw - taptite #6 x 1/2	47	137059	Seat
8	162263	Clip - Tinnerman	48	450346	Bolt - hex 5/16-18 x 3/4
9	006874	Decal - heat reflective	49	311118	Washer - split lock
10	113266	Wheel - steering	50	019091	Plate - seat mount
11	159178	Pin - roll 1/4 x 2-1/4	51	157503	Bolt - shoulder 5/16-18 x 5/8
12	087346	Shaft - steering	52	014928	Bracket - seat plate
13	162065	Pin - spiral 3/16 x 1-1/4	53	153015	Bolt - hex 3/8-16 x 1
14	172429	Pinion - steering	54	019257	Support - seat
15	314088	Pin - roll 1/4 x 1-1/4	55	115154	Bumper - seat
16	087676	Shaft - steering pinion	56	164921	Washer - flat 5/8
17	162255	Bearing - steering shaft	57	019273	Support - seat & shift lever
18	020040	Support - steering shaft	58	153601	Bolt - hex tap 1/4-20 x 3/4
19	159780	Bolt - hex wash hd 5/16-18 x 5/8	59	089995	Spring - seat
20	715185	Washer - flat 5/16	60	793810	Decal - gear selection
21	310151	Nut - hex 5/16-18 nylok	61	715052	Screw - hex taptite 1/4-20 x 1/2
22	172304	Shaft - steering w/sector gear	62	452615	Nut - hex 1/4-20 nylok
23	173054	Clamp - steering shaft	63	052712	Control - throttle w/cable
24	450437	Bolt - hex 5/16-18 x 5/8	64	158451	Screw - pan hd. 10-24 x 5/8
25	020057	Axle - front	65	112730	Knob - throttle control
26	450767	Bolt - hex 3/8-16 x 2-3/4	66	159335	Screw - pan head #8-32 x 3/8
27	451195	Nut - hex 3/8-16 nylok	67	159244	Nut - hex #8-32
28	021956	Bracket - axle	68	099382	Fender - rear
29	016691	Bracket - axle	69	792895	Decal - controls
30	158907	Bolt - carriage 5/16-18 x 5/8	70	007682	Decal - blade engagement
32	159483	Bolt - hex self tap 5/16-18 x 1/2	71	015271	Support - fender
33	019885	Spindle - steering, with arm RH	72	446799	Pad - bumper
34	019877	Spindle - steering, with arm LH	73	114850	Reflector - rear, red
35	113332	Bearing - spindle	74	796391	Decal - console
36	158048	Washer - flat 5/8	75	016667	Bracket - deck drawbar
37	715128	Ring - retaining	76	452318	Nut - hex 10-24 nylok
38	099622	Tie Rod - steering	--	042473	Tube - front tire (optional)
39	158642	Bolt - hex 3/8-16 x 1	--	393736	Sealant - tire 16 oz. bottle
40	150185	Washer - split lock 3/8	--	393744	Sealant - tire 32 oz. bottle
			--	115303	Cover - vinyl, rider

S/N 231589  
P/L 189951  
O/M 189936  
E/M 188953  
P/B 136713

**MODEL 340L**  
**10.5 HP 30" Cut Rear-Engine Riding Mower**  
**Uses Grass Catcher Assembly Model G30**  
**Grass Catcher P/N 230052**  
**See p. 89 for breakdown**



S/N 231589  
P/L 189951  
O/M 189936  
E/M 188953  
P/B 136713

# CHASSIS

**MODEL 340L**  
**10.5 HP 30" Cut Rear-Engine Riding Mower**  
**Uses Grass Catcher Assembly Model G30**  
**Grass Catcher P/N 230052**  
**See p. 89 for breakdown**

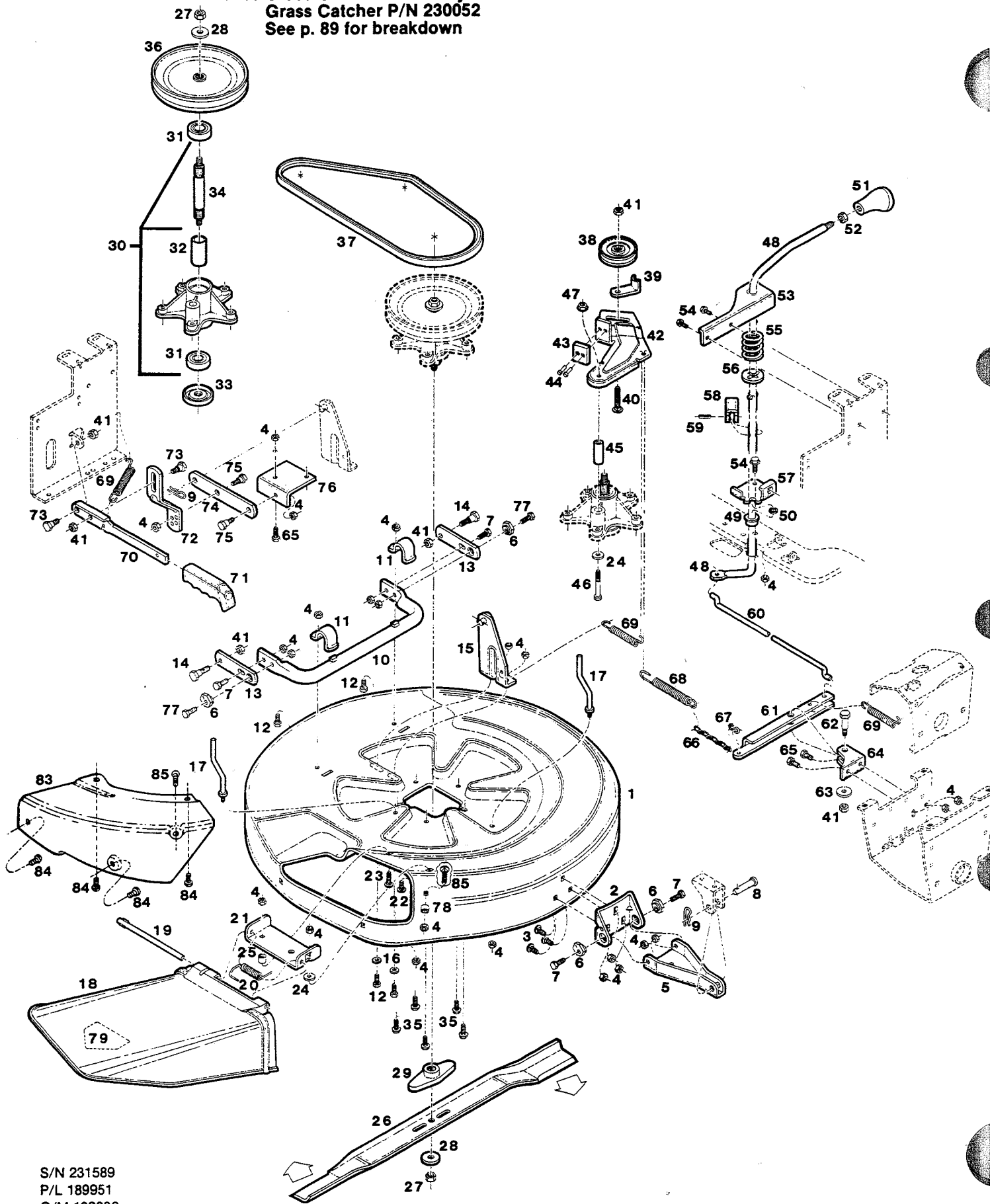
Index No.	Part No.	Description	Index No.	Part No.	Description
1	019265	Frame - main	49	159483	Bolt - hex tap 5/16-18 x 1/2
2	*	Engine - 10.5 HP	50	017491	Lever - parking brake
3	159269	Clamp - throttle cable	51	159996	Bolt - shoulder 1/4-20 x 7/16
4	159277	Screw - cable clamp	52	616375	Nut - hex lock 1/4-20
5	099200	Pulley - engine, double	53	014878	Clip - clutch rod
6	382069	Key - pulley 1/4 square x 2-1/2	54	157263	Pin - clevis 5/16
7	615963	Bolt - hex 7/16-20 x 2	55	715011	Hairpin cotter
8	311068	Washer - split lock	56	099234	Rod - clutch
9	**	Transaxle - 5 speed (Foote Model 4360-61)	57	461236	Washer - flat
10	158154	Bolt - hex 5/16-18 x 2-3/4	58	179267	Spring - brake return
11	715185	Washer - flat 5/16	59	156588	Bolt - shoulder 5/16-18 x 1-1/4
12	016717	Bracket - transaxle	60	179481	Spring - brake
13	158907	Bolt - carriage 5/16-18 x 5/8	61	179754	Guide - belt
14	091272	Brace - transaxle	62	312306	Bolt - hex 5/16-18 x 2-1/2
15	159228	Bolt - hex taptite 5/16-18 x 3/4	63	310151	Nut - hex 5/16-18 nylok
16	087338	Lever - transmission shift	64	042184	Wheel - rear, with tire & rim
17	112664	Knob - shift lever	65	042408	Tire - rear 16 x 6.50 tubeless
18	615625	Nut - hex jam 1/2-13	66	042390	Rim - rear wheel
19	136739	Spring - shift lever	67	136291	Stem - valve w/cap
20	156075	Washer - flat 1/2	68	446617	Key - rear wheel 3/16 square x 2-1/2
21	014902	Support - shift lever	69	179564	Spacer - wheel
22	457499	Bolt - hex taptite 1/4-20 x 1/2	70	158188	Washer - flat 3/4
23	179325	Support - shift lever, with detent	71	316513	Ring - retainer
24	099663	Lever - shift, on transaxle	72	112409	Cap - hub, rear wheel
25	157982	Bolt - hex 1/4-28 x 3/4	73	159715	Spacer - engine pulley
26	157792	Washer - flat, special	74	158253	Washer - pilot
27	087320	Rod - connecting, shift levers	75	099317	Guide - belt
28	715417	Washer - flat 7/16	76	157891	Bolt - hex taptite 3/8-16 x 1
29	317016	Pin - cotter 1/8 x 1	77	179994	Pipe - exhaust
30	099218	Pulley - transaxle	78	159574	Screw - hex slotted #8-32 x 9/16
31	615534	Key - woodruff #9	79	114496	Tank - fuel
32	170035	Ring - retaining	80	113340	Cap - fuel tank
33	136705	Belt - transaxle drive	81	136697	Hose - fuel line 24.5
34	109645	Pulley - idler	82	303859	Clamp - fuel line
35	015198	Retainer - belt	83	015263	Support - fuel tank
36	158444	Bolt - carriage 3/8-16 x 2	84	432625	Filter - fuel
37	158345	Washer - flat 3/8	85	150136	Nut - hex keps 5/16-18
38	451195	Nut - hex 3/8-16 nylok	86	157610	Nut - hex flange 5/16-18
39	173500	Arm - idler pulley	87	158089	Screw - hex taptite 1/4-20 x 1/2
40	157479	Bolt - shoulder 5/16-18 x 5/8	88	162404	Clamp - fuel line
41	159756	Washer - flat 5/8	89	018689	Shield - heat
42	158212	Washer - flat	90	313510	Bolt - carriage 5/16-18 x 3/4
43	159764	Clip - tinnerman	91	019588	Bracket - deck hanger LH
44	109637	Spring - idler tension	92	019638	Bracket - deck hanger RH
45	018671	Pedal - clutch/brake	93	152975	Washer - lock ext tooth 5/16
46	112938	Pad - pedal, rubber	94	312165	Bolt - hex 5/16-18 x 3-1/2
47	159905	Retainer - push-on	--	042465	Tube - rear tire (optional)
48	016469	Bracket - pedal	--	393736	Sealant - tire 16 oz. bottle
			--	393744	Sealant - tire 32 oz. bottle

\*Contact Engine Manufacturer's authorized service dealer for parts and warranty.

\*\*Contact Foote (Dana Corporation) authorized service dealer or distributor for parts and warranty.

S/N 231589  
P/L 189951  
O/M 189936  
E/M 188953  
P/B 136713

**MODEL 340L**  
**10.5 HP 30" Cut Rear-Engine Riding Mower**  
**Uses Grass Catcher Assembly Model G30**  
**Grass Catcher P/N 230052**  
**See p. 89 for breakdown**



S/N 231589  
 P/L 189951  
 O/M 189936  
 E/M 188953  
 P/B 136713

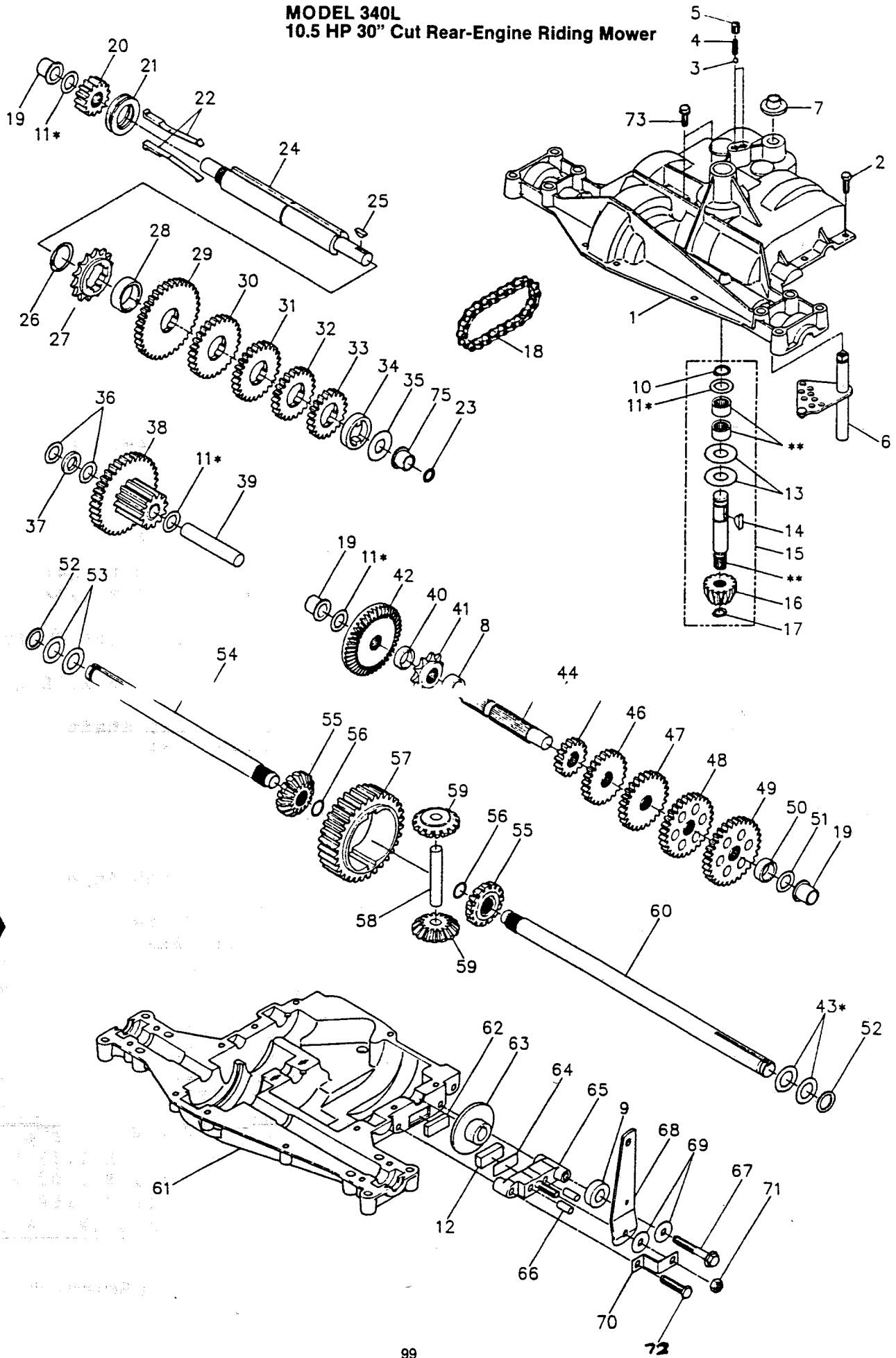
**MODEL 340L**  
**10.5 HP 30" Cut Rear-Engine Riding Mower**  
**Uses Grass Catcher Assembly Model G30**  
**Grass Catcher P/N 230052**  
**See p. 89 for breakdown**

# 30" MOWER DECK

Index No.	Part No.	Description	Index No.	Part No.	Description
1	022020	Deck - mower 30"	43	135046	Pad - brake
2	019646	Bracket - deck drawbar	44	159152	Rivet - brake pad
3	381657	Bolt - carriage 5/16-18 x 5/8	45	087296	Spacer - idler arm
4	310151	Nut - hex 5/16-18 nylok	46	163600	Bolt - hex 5/16-18 x 2-1/2
5	019752	Draw bar - deck	47	159236	Nut - hex 5/16-18 flange lock
6	158691	Nut - eccentric, deck leveling	48	179499	Lever - engaging, blade drive
7	152108	Bolt - hex 5/16-18 x 1	49	156653	Bushing - nylon, lever
8	158295	Pin - clevis	50	620807	Ring - retainer
9	715011	Hairpin Cotter	51	112664	Knob - engaging lever
10	019661	Tube - deck suspension	52	615625	Nut - hex jam 1/2-13
11	014589	Clip - tube retaining	53	018432	Support - lever
12	450346	Bolt - hex 5/16-18 x 3/4	54	159228	Screw - hex taptite 5/16-18 x 3/4
13	019745	Extension - suspension tube	55	137323	Spring - engaging lever
14	381749	Bolt - shoulder 3/8-16 x 1-5/8	56	162073	Washer - spring retaining
15	019596	Bracket - lift	57	179556	Bracket - lever, lower
16	715185	Washer - flat	58	171348	Stop - lever
17	172130	Guide - belt	59	715193	Pin - roll 3/16 x 1
18	114165	Deflector - discharge opening	60	179507	Rod - linkage
19	086595	Pin - deflector hinge -	61	179549	Lever - pivot
20	086322	Spring - deflector	62	380428	Bolt - shoulder 3/8-16 x 1-7/8
21	019513	Bracket - deflector	63	159954	Washer - flat 3/8
22	313510	Bolt - carriage 5/16-18 x 3/4	64	016667	Bracket - pivot lever
23	313536	Bolt - carriage 5/16-18 x 1-1/4	65	450437	Bolt - hex 5/16-18 x 5/8
24	158212	Washer - flat 5/16	66	179572	Chain - clutch engaging
25	381723	Spacer - deflector bracket	67	179713	Hook - chain
26	031310	Blade - mulcher 30"	68	098111	Spring - clutch engaging
26	020024	Blade - hi-lift 30", optional Use when rear grass catcher is installed	69	109637	Spring - brake engaging, lift lever
26	019679	Blade - lo-lift 30", optional	70	019604	Lever - deck lift
27	157537	Nut - hex 1/2-13 ctr lock	71	114173	Grip - lift lever
28	158170	Washer - flat 1/2	72	019612	Link - lift
29	087171	Hub - blade	73	381756	Bolt - shoulder 3/8-16 x 1-1/8
30	086926	Housing - shaft w/brgs Includes 31 & 32	74	019620	Link - pivot
31	087130	Bearing - blade shaft	75	381764	Bolt - shoulder 5/16-18 x 7/8
32	087148	Spacer - bearings	76	020008	Bracket - pivot link
33	087163	Shield - dust	77	156968	Bolt - hex 5/16-18 x 1-1/4
34	087189	Shaft - blade	78	152645	Spacer - deflector bumper
35	159830	Bolt - hex tap 5/16-18 x 7/8	79	143115	Decal - DANGER
36	087122	Pulley - blade drive	80	715391	Nut - hex 3/8-16
37	337253	Belt - blade drive	81	715417	Washer - flat 3/8
38	109645	Pulley - idler	82	150185	Washer - split lock 3/8
39	015198	Retainer - belt	83	114561	Plate - mulcher
40	158444	Bolt - carriage 3/8-16 x 2	84	382457	Screw - slotted 5/16-18 x 3/4
41	451195	Nut - hex 3/8-16 nylok	85	382440	Screw - slotted 5/16-18 x 1-1/2
42	086736	Arm - idler pulley w/brake pad	--	396440	Deck Assembly - complete
			--	395624	Kit - mulcher plate

S/N 231589  
P/L 189951  
O/M 189936  
E/M 188953  
P/B 136713

**MODEL 340L**  
**10.5 HP 30" Cut Rear-Engine Riding Mower**



**DANA**  
 DANA CORPORATION  
 FREDERICKTOWN, OHIO  
 4360-61  
 GENERAL POWER EQUIPMENT CO. 174961



MODEL 340L  
10.5 HP 30" Cut Rear-Engine Riding Mower

DANA CORPORATION

SERVICE PARTS REPLACEMENT LISTING

MODEL NO.: 4360-61

DATE: 8-25-92

DESCRIPTION: FIVE SPEED LINEAR SHIFT TRANSAXLE

CUSTOMER & PART NO.: GENERAL POWER EQUIPMENT CO. GPE P/N 174961

<u>KEY</u> <u>NO.</u>	<u>DANA</u> <u>PART NO.</u>	<u>G.P.</u> <u>PART NO.</u>	<u>NO.</u> <u>REQ'D.</u>	<u>DESCRIPTION</u>
1	5305		1	Housing, Upper
2	1919		14	Screw, Tapping, 1/4-20 X .734 Lg.
3	5112		2	Ball, Detent
4	3626		2	Spring, Detent
5	3623		2	Screw, Set
6	4731		1	Kit, Shifter, Ass'y.
7	5024		1	Boot, Shifter
8	5016		1	Spacer, .781 X 1.00 X .494
9	5018		1	Spacer, .604 X 1.17 X .394
10	1099		1	Ring, Retaining
11	4689		4*	Ass'y., Kit, Shim, .625 Shaft
12	3907		1	Puck, Friction
13	3876		2	Washer, Plain, .632 X 1.38 X .046
14	1374		1	Key, Woodruff, #9
15	4551		1	Ass'y., Kit, Input Shaft
16	3590		1	Pinion, Bevel, 14T.
17	3624		1	Ring, Retaining
18	1090		1	Chain, 22 Pitches
19	1542		3	Bearing, Flange
20	5280		1	Gear, Spur, 14T.
21	5303		1	Collar, Clutch
22	4758		1	Ass'y., Kit, Clutch Keys
23	5279		1	Square-Ring
24	5281		1	Shaft, Intermediate
25	1375		1	Key, Woodruff, #61
26	3627		1	Ring, Retaining
27	3897		1	Sprocket, 14T.
28	3841		1	Spacer
29	3785		1	Gear, Spur, 35T.
30	5014		1	Gear, Spur, 27T.
31	3783		1	Gear, Spur, 25T.
32	3869		1	Gear, Spur, 22T.
33	3817		1	Gear, Spur, 20T.
34	5027		1	Spacer, 1.133 X 1.50 X .374
35	3628		1	Washer, Plain, .640 X 1.37 X .061
36	1423		2	Washer, Plain, .632 X 1.00 X .026
37	3422		1	Spacer, .630 X 1.00 X .169
38	4286		1	Ass'y., Gear, Comb., 12T. & 35T.
39	3967		1	Shaft, Idler

NOTE: Transaxles & transaxle parts are to be ordered from Foote/Dana's Central Parts/Service Distributors.  
See p. 154

Model #4360-61  
Page 2

<u>KEY</u> <u>NO.</u>	<u>DANA</u> <u>PART NO.</u>	<u>G.P.</u> <u>PART NO.</u>	<u>NO.</u> <u>REQ'D.</u>	<u>DESCRIPTION</u>
40	3630		1	Spacer, .781 X 1.00 X .281
41	3815		1	Sprocket, 10T.
42	5012		1	Gear, Bevel, 42T.
43	4691		1*	Ass'y., Kit, Shim, .750 Shaft
44	5015		1	Shaft, Drive
45	3707		1	Gear, Spur, 15T.
46	5013		1	Gear, Spur, 23T.
47	3719		1	Gear, Spur, 25T.
48	3868		1	Gear, Spur, 28T.
49	3818		1	Gear, Spur, 30T.
50	3714		1	Spacer, .781 X 1.00 X .375
51	1145		1	Washer, Plain, .632 X 1.00 X .060
52	5130		2	Washer, Neoprene
53	3184		2	Washer, Plain, .758 X 1.25 X .031
54	3880		1	Axle, L.H.
55	3780		2	Gear, Miter, 15T.
56	3656		2	Ring, Retaining
57	3839		1	Gear, Spur, 32T.
58	3919		1	Shaft, Cross
59	3781		2	Gear, Miter, 15T.
60	3881		1	Axle, R.H.
61	5304-A		1	Housing, Lower
62	3920		1	Puck, Friction
63	3276		1	Disc, Brake
64	3758		1	Spacer
65	3916		1	Jaw, Brake
66	3843		2	Pin, Dowel
67	5120		1	Screw, Tapping, 5/16-18 X 2.25 Lg.
68	5283		1	Lever, Actuating
69	3760		2	Washer, Plain, .321 X 1.00 X .055
70	3917		1	Bracket, Anti-Rotation
71	3847		1	Nut, Lock, 5/16-24
72	3724		1	Screw, Tapping, 5/16-18 X 1.44 Lg.
73	5131		2	Screw, Tapping w/Sealer
74	4300		1	Grease
75	5278		1	Bearing, Flange

\* Use in various combinations to maintain proper clearances.

\*\* Order Key No. 15.

NOTE: Transaxles & transaxle parts are to be ordered from Foote/Dana's Central Parts/Service Distributors.  
See p. 154