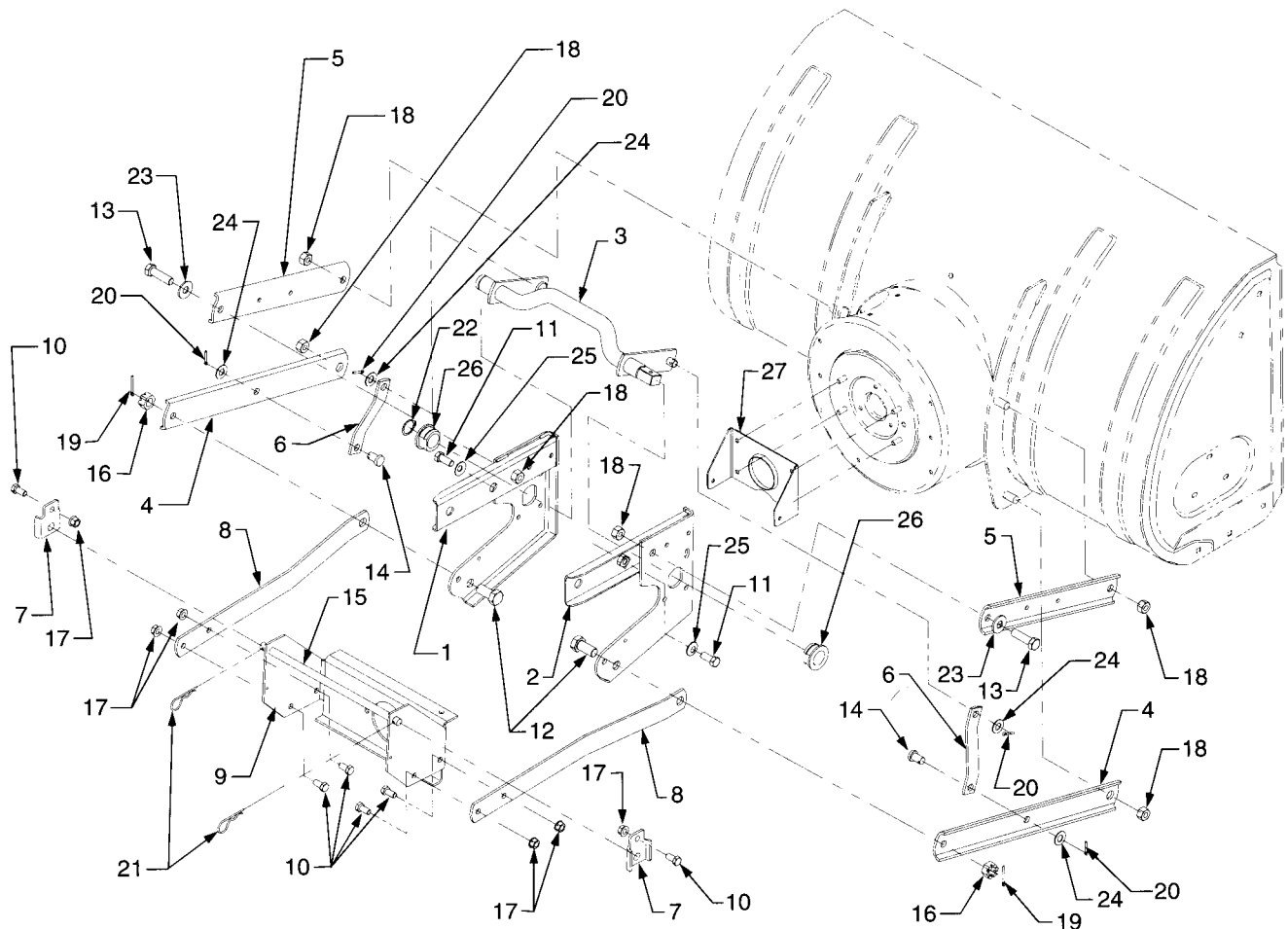
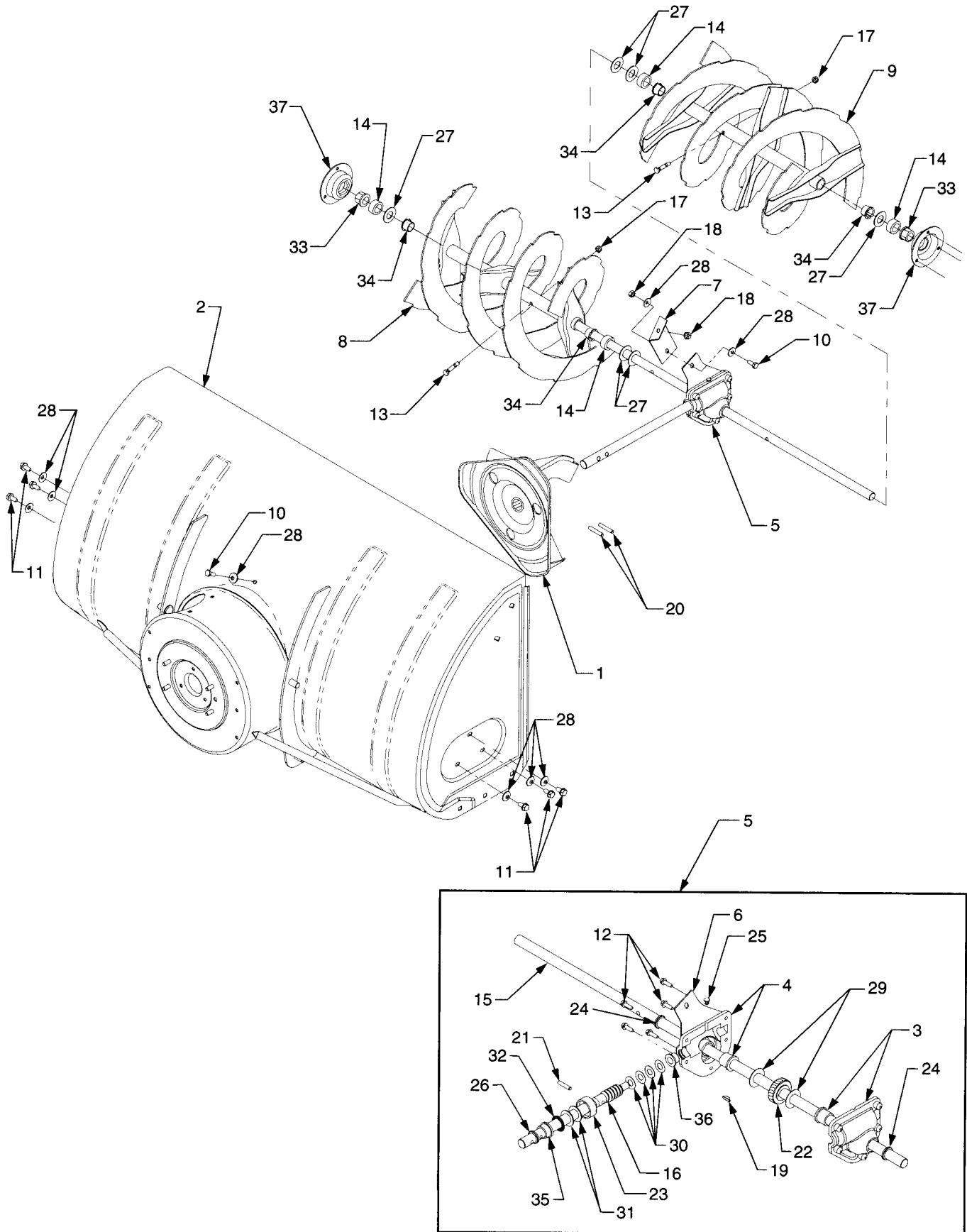


MOUNTING HITCH AND SUB FRAME



| REF. NO. | PART NUMBER | CODE | DESCRIPTION | QTY. | REF. NO. | PART NUMBER | CODE | DESCRIPTION | QTY. |
|----------|-------------|------|---------------------------------|------|----------|-------------|------|------------------------------------|------|
| 1 | 603-0268 | 0716 | Hitch Plate, RH | 1 | 13 | 710-3067 | | Screw, Hex Cap, | 2 |
| 2 | 603-0269 | 0716 | Hitch Plate, LH | 1 | 14 | 711-0332 | | Pin, Clevis, .5 x .78 Lg | 2 |
| 3 | 603-0799 | 0716 | Rockshaft Assembly, Lift | 1 | 15 | 711-3401 | | Rod, .5 x 12.5 Lg | 1 |
| 4 | 703-2709 | 0716 | Link, Lower | 2 | 16 | 712-0386A | | Nut, Hex Slotted, 5/8-18 | 2 |
| 5 | 703-2710 | 0716 | Link, Upper | 2 | 17 | 712-0431 | | Nut, Hex Flange Lock, 3/8-16 | 6 |
| 6 | 703-2726 | 0716 | Link, Lift | 2 | 18 | 712-3022 | | Nut, Hex Center Lock, 1/2-13 | 6 |
| 7 | 703-2737 | 0716 | Bracket, Frame Mounting | 2 | 19 | 714-0470 | | Pin, Cotter, 1/8 x 1.25 | 2 |
| 8 | 703-2739 | 0716 | Arm, Subframe | 2 | 20 | 714-0474 | | Pin, Cotter, 1/8 x .75 | 4 |
| 9 | 703-3413 | 0716 | Bracket, Gearbox Mounting | 1 | 21 | 714-3020 | | Pin, Internal Cotter | 2 |
| 10 | 710-0216 | | Screw, Hex Cap, | 6 | 22 | 716-0102 | | Ring, Snap, 1.0 Dia. Shaft | 1 |
| | | | 3/8-16 x .75 GR5 | | 23 | 736-0179 | | Washer, Flat, .531 x 1.25 x .10 . | 2 |
| 11 | 710-0505 | | Screw, Hex Cap, | 2 | 24 | 736-0272 | | Washer, Flat, .510 x 1.0 x .062 . | 4 |
| | | | 7/16-14 x 1.0 GR5 | | 25 | 736-0407 | | Washer, Bell, .45 x 1.0 x .062 ... | 2 |
| 12 | 710-0964A | | Screw, Hex Cap, | 2 | 26 | 741-0170 | | Bearing, Flange w/Flats | 2 |
| | | | 5/8-18 x 1.31 GR5 | | 27 | 784-5703 | 0637 | Bracket, Box Mounting | 1 |

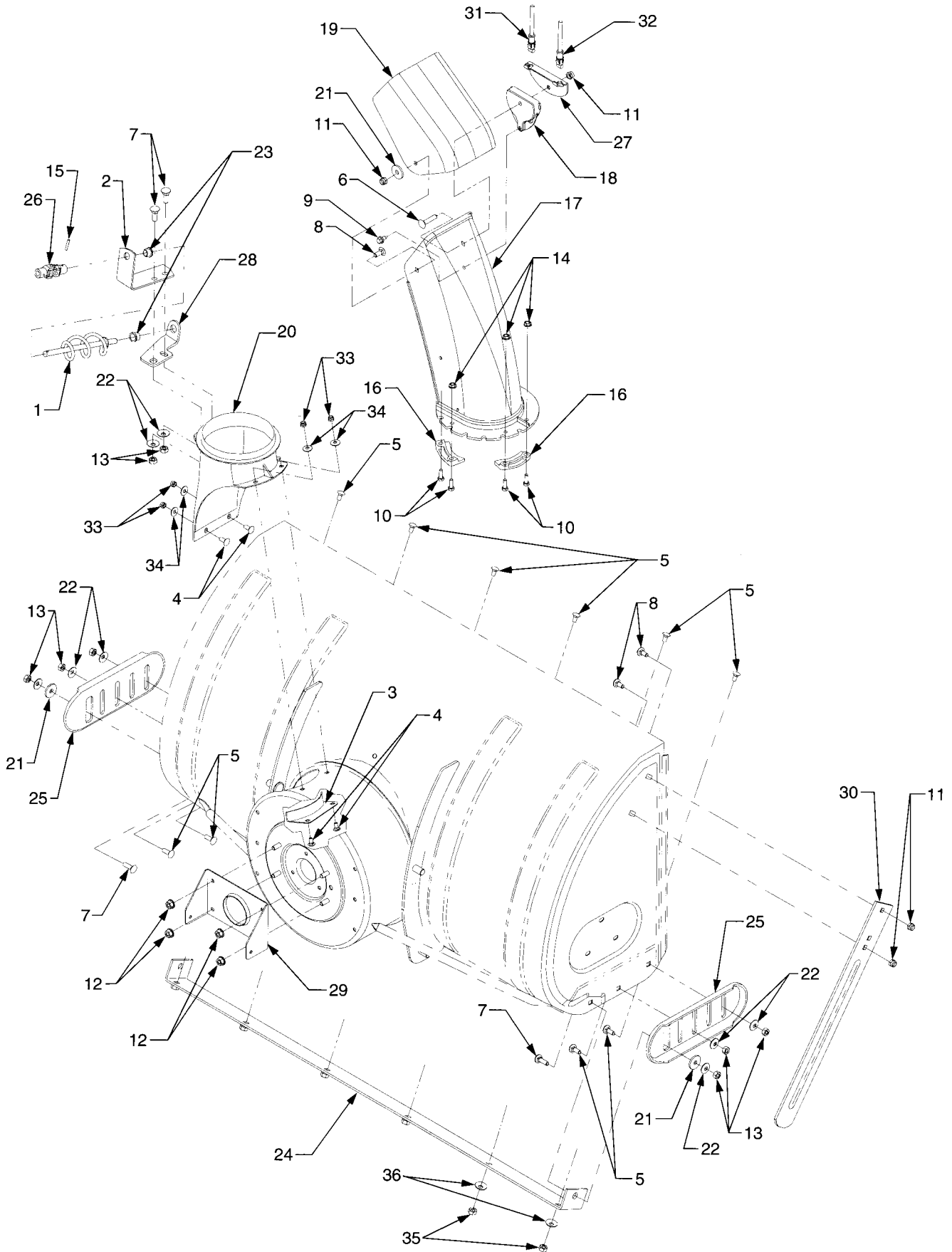
AUGERS AND AUGER HOUSING



AUGERS AND AUGER HOUSING

| REF. NO. | PART NUMBER | CODE | DESCRIPTION | QTY. |
|----------|-------------|------|--|------|
| 1 | 603-0687 | | Impeller Assembly | 1 |
| 2 | 603-0798 | 0716 | Housing, Auger | 1 |
| | 777D04549 | | Graphic, Cub Sprigs | 2 |
| | 777D03479 | | Graphic, Cub Cadet | 1 |
| | 777S30515 | | Graphic, Warning/Danger | 1 |
| 3 | 618-0123 | | Housing Assembly, Auger RH Includes Ref. No. 24 and Flange Bearing | 1 |
| | 759-3746 | | Sealant, Ultra Grey, 2 oz Tube | 1 |
| 4 | 618-0124 | | Housing Assembly, Auger LH Includes Ref. No. 24 and Flange Bearing | 1 |
| | 759-3746 | | Sealant, Ultra Grey, 2 oz Tube | 1 |
| 5 | 618-3230 | | Auger Gear Box Ass'y., Complete . | 1 |
| 6 | 703-2733 | 0716 | Plate, Housing Brace | 1 |
| 7 | 703-2734 | 0716 | Bracket, Housing Brace | 1 |
| 8 | 705-5269 | 0716 | Auger, Serrated, LH | 1 |
| 9 | 705-5270 | 0716 | Auger, Serrated, RH | 1 |
| 10 | 710-0157 | | Screw, Hex Cap | 2 |
| | | | 5/16-24 x .75 GR5 | |
| 11 | 710-0604A | | Screw, Hex Wash. Hd. Tapp | 6 |
| | | | 5/16-18 x .625 | |
| 12 | 710-0642 | | Screw, Hex Wash. Hd. Tapp | 5 |
| | | | 1/4-20 x .75 | |
| 13 | 710-0890A | | Shear Bolt, 5/16-18 x 1.5 | 2 |
| 14 | 711-0469 | | Spacer, .75 x 1.25 x .5 | 4 |
| 15 | 711-1395 | | Shaft, Auger | 1 |
| 16 | 711-1365 | | Shaft, Worm Gear | 1 |
| 17 | 712-0429 | | Nut, Hex Insert Lock, 5/16-18 | 2 |
| 18 | 712-3057 | | Nut, Hex, 5/16-24 GR5 | 2 |
| 19 | 714-0161 | | Key, Hi-Pro, 3/16 x 5/8 | 1 |
| 20 | 715-0114 | | Pin, Spiral Spring, 1/4 x 1-1/2 | 2 |
| 21 | 715-0143 | | Pin, Spiral Spring, 1/4 x 1.25 | 1 |
| 22 | 717-0528 | | Gear, Worm, 20T | 1 |
| 23 | 718-0513 | | Collar, Thrust | 1 |
| 24 | 721-0179 | | Seal, Oil | 2 |
| 25 | 721-0325 | | Plug | 1 |
| 26 | 721-0327 | | Seal, Oil | 1 |
| 27 | 736-0188 | | Washer, Flat, .76 x 1.49 x .06 | 6 |
| 28 | 736-0242 | | Washer, Bell, .340 x .872 x .06 | 9 |
| 29 | 736-0351 | | Washer, Flat, .76 x 1.5 x .030 | 2 |
| 30 | 736-0369 | | Washer, Flat, .508 x 1.0 x .020 | 4 |
| 31 | 736-0617 | | Washer, Thrust, .75 x 1.25 x .062 | 2 |
| 32 | 741-0150 | | Bearing, Thrust, | 1 |
| 33 | 741-0245 | | Bearing, Hex Flange | 2 |
| 34 | 741-0493A | | Bushing, Flange | 4 |
| 35 | 741-0700 | | Bearing, Flange | 1 |
| 36 | 748-0108 | | Bearing, Flange | 1 |
| 37 | 784-5618 | | Housing, Bearing | 2 |
| | 737-0168 | | Grease, Shell Alvania | 2 oz |

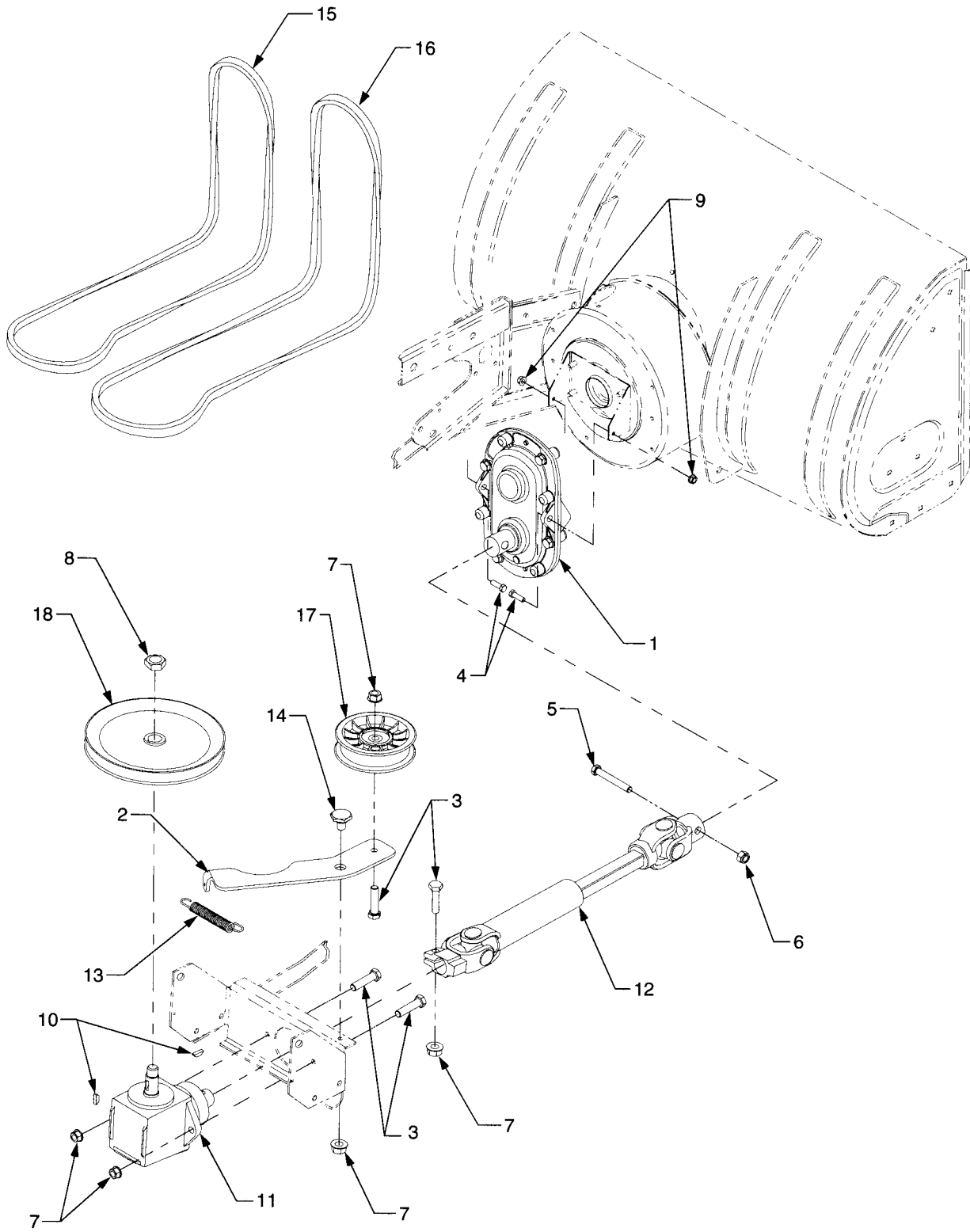
DISCHARGE CHUTE, SHAVE PLATE AND SKID SHOES



DISCHARGE CHUTE, SHAVE PLATE AND SKID SHOES

| REF. NO. | PART NUMBER | CODE | DESCRIPTION | QTY. |
|----------|-------------|------|---|------|
| 1 | 684-0061 | | Chute Crank | 1 |
| 2 | 703-2735A | 0716 | Bracket, Chute Crank | 1 |
| 3 | 705-5226 | 0716 | Plate, Chute Reinforcement | 1 |
| 4 | 710-0167 | | Bolt, Carriage, 1/4-20 x .5 | 5 |
| | | | Mfg. Code 1D40G and before | |
| | 710-0703 | | Bolt, Carriage, 1/4-20 x .75 | 5 |
| | | | Mfg. Code 1D50G and after | |
| 5 | 710-0260A | | Bolt, Carriage, 5/16-18 x .62 | 10 |
| 6 | 710-0262 | | Bolt, Carriage, 5/16-18 x 1.5 | 1 |
| 7 | 710-0276 | | Bolt, Carriage, 5/16-18 x 1.0 | 4 |
| 8 | 710-0451 | | Bolt, Carriage, 5/16-18 x .75 | 5 |
| 9 | 710-0896 | | Screw, Hex Wash. Hd. Tapp | 1 |
| | | | 1/4-14 x .625 | |
| 10 | 710-3015 | | Screw, Hex Cap | 6 |
| | | | 1/4-20 x .75 GR5 | |
| 11 | 712-0429 | | Nut, Hex Insert Lock, 5/16-18 | 6 |
| 12 | 712-3004A | | Nut, Hex Flange Lock, 5/16-18 GR5 | 4 |
| 13 | 712-3010 | | Nut, Hex, 5/16-18 GR5 | 8 |
| 14 | 712-3027 | | Nut, Hex Flange Lock, 1/4-20 | 6 |
| 15 | 715-0129 | | Pin, Spirol, 1/8 x .812 | 1 |
| 16 | 731-0851A | | Keeper, Chute Flange | 3 |
| 17 | 731-1300A | | Chute, Lower Discharge | 1 |
| 18 | 731-1313C | | Guide, Cable | 1 |
| 19 | 731-1320 | | Chute, Upper Discharge | 1 |
| | 777S30524 | | Graphic, Danger Shut Off Eng. | 1 |
| 20 | 731-1379B | | Adapter, Discharge Chute | 1 |
| 21 | 736-0231 | | Washer, Flat, .344 x 1.125 x .12 | 3 |
| 22 | 736-0242 | | Washer, Bell, .34 x .872 x .06 | 8 |
| 23 | 741-0475 | | Bushing, Plastic | 2 |
| 24 | 784-0396 | 0637 | Plate, Shave | 1 |
| 25 | 784-5038B | 0637 | Shoe, Skid | 2 |
| 26 | 784-5149 | | Block Assembly, Joint | 1 |
| 27 | 784-5594 | 0716 | Bracket, Cable | 1 |
| 28 | 784-5647 | 0637 | Bracket, Chute Crank | 1 |
| 29 | 784-5703 | 0637 | Bracket, Box Mounting | 1 |
| 30 | 05139A | 0716 | Guide, Blade | 2 |
| 31 | 746-0928 | | Cable, Chute Control | 1 |
| 32 | 746-0929 | | Cable, Chute Control w/Clip | 1 |
| 33 | 712-3027 | | Nut, Hex Flange Lock, 1/4-20 | 5 |
| | | | Mfg. Code 1D40G and before | |
| | 712-0324 | | Nut, Hex Insert Lock, 1/4-20 | 5 |
| | | | Mfg. Code 1D50G and after | |
| 34 | 736-0463 | | Washer, Flat, .25 x .625 x .052 | 5 |
| | | | Mfg. Code 1D50G and after | |
| 35 | 712-3004A | | Nut, Hex Flange Lock, 5/16-18 GR5 | 6 |
| | | | Mfg. Code 1E301G and before | |
| | 712-3010 | | Nut, Hex, 5/16-18 GR5 | 6 |
| | | | Mfg. Code 1E311G and after | |
| 36 | 736-0242 | | Washer, Bell, .34 x .872 x .06 | 6 |
| | | | Mfg. Code 1E311G and after | |

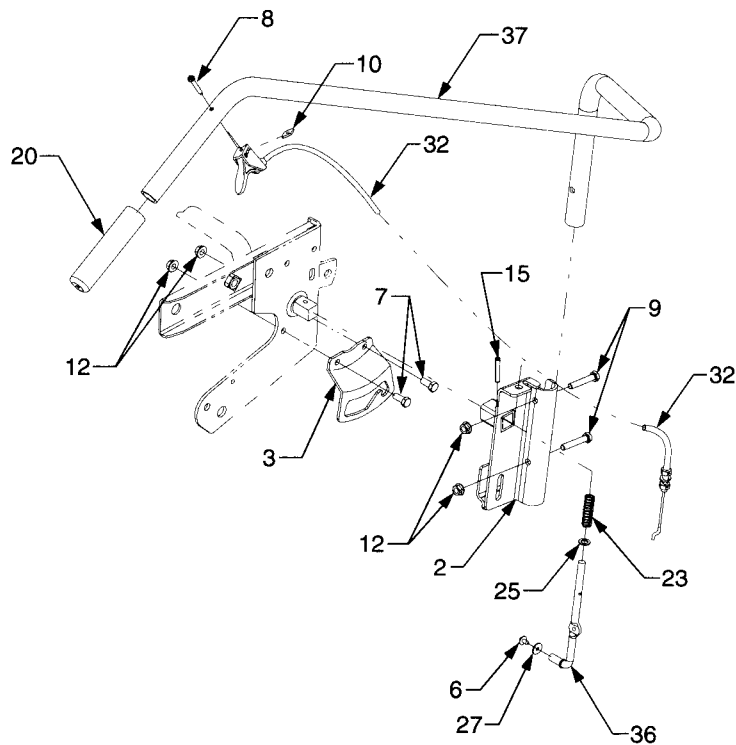
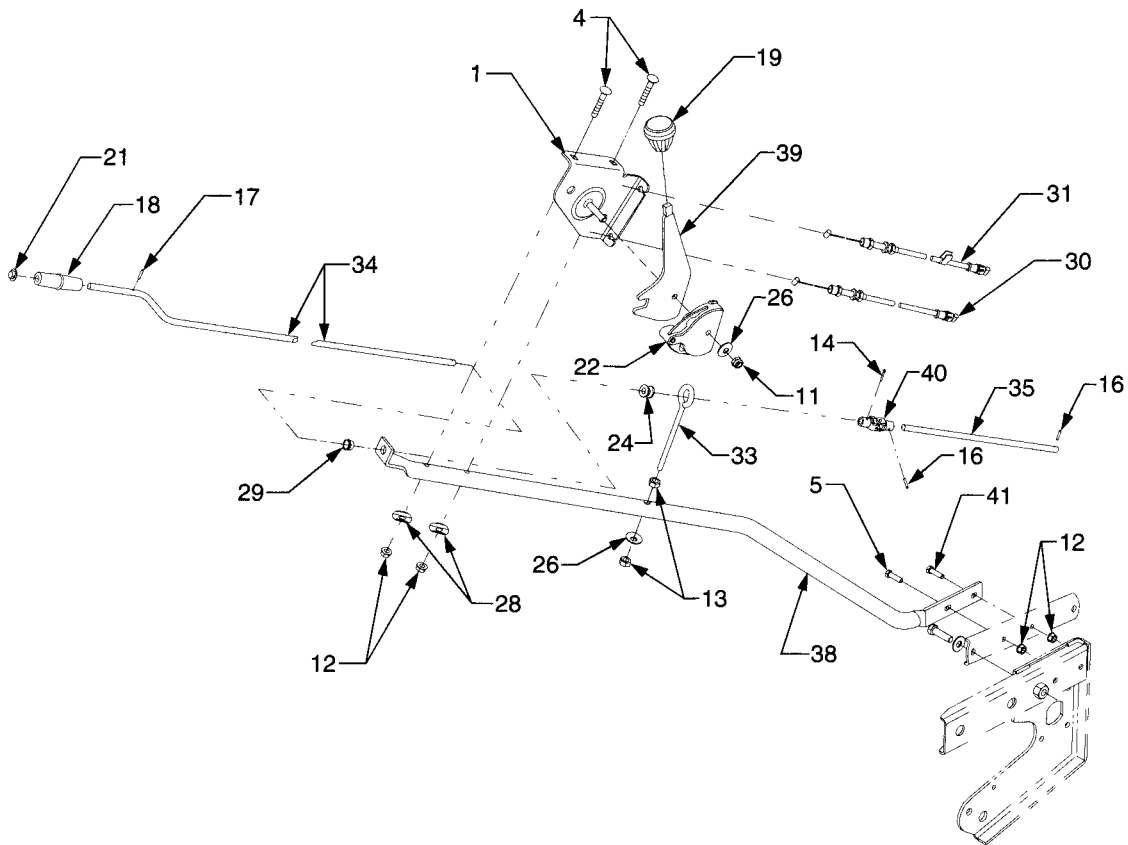
DRIVE SYSTEM COMPONENTS



DRIVE SYSTEM COMPONENTS

| REF. NO. | PART NUMBER | CODE | DESCRIPTION | QTY. |
|----------|-------------|------|--|------|
| 1 | 684-0143 | | Box Assembly, Sprocket Refer to Sprocket Box Assembly for Components | 1 |
| 2 | 703-3414 | 0716 | Arm, Idler Pivot | 1 |
| 3 | 710-0520 | | Screw, Hex Cap 3/8-16 x 1.5 GR5 | 4 |
| 4 | 710-3015 | | Screw, Hex Cap 1/4-20 x .75 GR5 | 2 |
| 5 | 710-0772 | | Screw, Hex Cap 5/16-24 x 2.0 GR5 | 1 |
| 6 | 712-0411 | | Nut, Hex, 5/16-24 | 1 |
| 7 | 712-0431 | | Nut, Hex Flange Lock, 3/8-16 | 5 |
| 8 | 712-0923 | | Nut, Hex Center Lock, 5/8-18 | 1 |
| 9 | 712-0324 | | Nut, Hex Nylon Insert Lock, 1/4-20 | 2 |
| 10 | 714-0126 | | Key, Hi-Pro, 3/16 x 3/4 | 2 |
| 11 | 717-0250 | | Box, Gear | 1 |
| 12 | 717-3506 | | Shaft, Drive | 1 |
| 13 | 732-0429A | | Spring, Extension | 1 |
| 14 | 738-0322 | | Bolt, Shoulder, .625 Dia. x .21 | 1 |
| 15 | 754-0441 | | Belt, PTO, A-Section x 76.1 For Tractors w/Single Cylinder Engine | 1 |
| 16 | 754-3075 | | Belt, PTO, B-Section x 78.3 For Tractors w/Twin Cylinder Engine | 1 |
| 17 | 756-0627B | | Pulley, Flat Idler | 1 |
| 18 | 756-0632 | | V-Pulley | 1 |

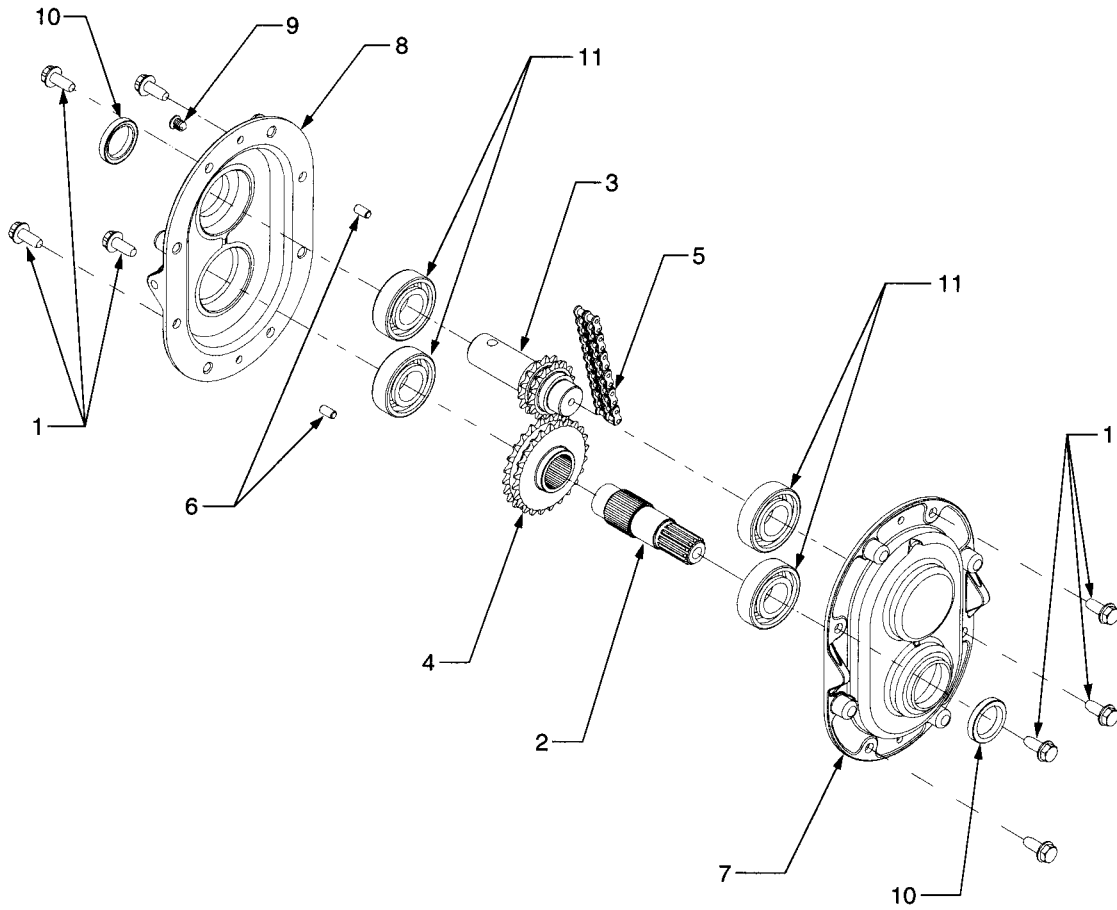
LIFT HANDLE AND CHUTE CONTROLS



LIFT HANDLE AND CHUTE CONTROLS

| REF. NO. | PART NUMBER | CODE | DESCRIPTION | QTY. |
|----------|-------------|------|--|------|
| 1 | 603-0302 | 0716 | Bracket, Chute Tilt | 1 |
| 2 | 683-0298 | 0716 | Bracket, Lift | 1 |
| 3 | 703-2728A | 0716 | Bracket, Lift Handle Latch | 1 |
| 4 | 710-0262 | | Bolt, Carriage | 2 |
| | | | 5/16-18 x 1.5 GR2 | |
| 5 | 710-0805 | | Screw, Hex Cap | 1 |
| | | | 5/16-18 x 1.5 GR5 | |
| 6 | 710-1268 | | Screw, Hex Wash, Hd Tapp | 1 |
| | | | #10-16 x .375 | |
| 7 | 710-3008 | | Screw, Hex Cap, | 2 |
| | | | 5/16-16 x .75 GR5 | |
| 8 | 710-3143 | | Screw, Pan Phillips Hd. | 1 |
| | | | 10-24 x 1.5 | |
| 9 | 710-3180 | | Screw, Hex Cap | 2 |
| | | | 5/16-18 x 1.75 GR5 | |
| 10 | 712-0127 | | Nut, Flat Weld, 10-24 | 1 |
| 11 | 712-0429 | | Nut, Hex Insert Lock, 5/16-18 | 1 |
| 12 | 712-3004A | | Nut, Hex Flange Lock, 5/16-18 GR5 | 8 |
| 13 | 712-3010 | | Nut, Hex, 5/16-18 GR5 | 2 |
| 14 | 714-0507 | | Pin, Cotter, 3/32 x .75 | 1 |
| 15 | 715-0114 | | Pin, Spirol, 1/4 x 1-1/2 | 1 |
| 16 | 715-0129 | | Pin, Sprol, .125 x .812 | 2 |
| 17 | 715-0138 | | Pin, Roll, 1/8 x .63 | 1 |
| 18 | 720-0201A | | Knob, Chute Crank | 1 |
| 19 | 720-0232 | | Knob, Tilt Handle | 1 |
| 20 | 720-0274 | | Grip, Lift Handle | 1 |
| 21 | 726-0100 | | Cap, Push | 1 |
| 22 | 731-1313C | | Guide, Cable | 1 |
| 23 | 732-0306 | | Spring, Compression | 1 |
| 24 | 735-0234 | | Grommet, Rubber | 1 |
| 25 | 736-0140 | | Washer, Flat, .385 x .620 x .063 | 1 |
| 26 | 736-0242 | | Washer, Bell, .340 x .872 x .06 | 2 |
| 27 | 736-0400 | | Washer, Flat, .194 x .62 x .063 | 1 |
| 28 | 736-0451 | | Washer, Saddle, .32 x .93 | 2 |
| 29 | 741-0475 | | Bushing, Plastic | 1 |
| 30 | 746-0928 | | Cable, Chute Control | 1 |
| | 725-0157 | | Cable Tie | 3 |
| 31 | 746-0929 | | Cable, Chute Control w/Clip | 1 |
| 32 | 746-3060A | | Cable/Trigger Assembly, Lift Latch | 1 |
| | 725-0157 | | Cable Tie | 2 |
| 33 | 747-0697 | | Eyebolt, Chute Crank | 1 |
| 34 | 747-0931 | | Rod, Chute Crank, 28.0 in. Lg | 1 |
| 35 | 747-0932 | | Rod, 11.375 Lg. | 1 |
| 36 | 747-1203 | | Rod, Lift Index | 1 |
| 37 | 750-1028A | 0716 | Handle, Lift | 1 |
| 38 | 750-1054 | 0716 | Tube, Chute Crank Support | 1 |
| 39 | 784-5604 | 0637 | Handle, Chute Tilt | 1 |
| 40 | 784-5149 | | Block Assembly, Joint | 1 |
| 41 | 710-0528 | | Screw, Hex Cap | 1 |
| | | | 5/16-18 x 1.25 GR5 | |

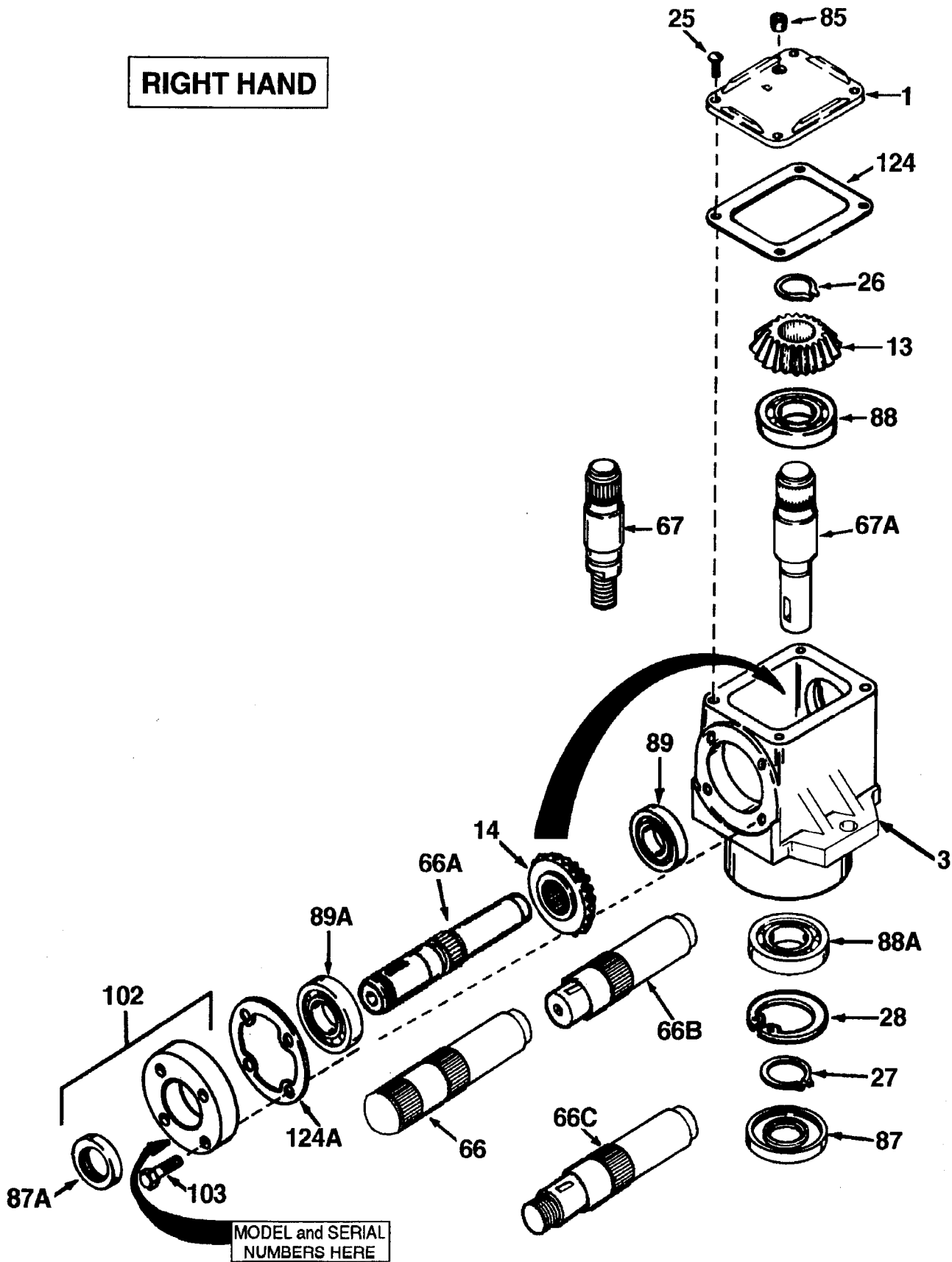
SPROCKET BOX ASSEMBLY



| REF. NO. | PART NUMBER | CODE DESCRIPTION | QTY. |
|----------|-------------|--|------|
| | 684-0143 | Sprocket Box Assembly, Complete | 1 |
| 1 | 710-1260A | Screw, Hex Wash. Hd. Tapp 5/16-18 x .75 | 8 |
| 2 | 711-1078 | Shaft, Output | 1 |
| 3 | 711-1347 | Shaft, Input (w/ sprocket) | 1 |
| 4 | 713-0451 | Sprocket, Drive | 1 |
| 5 | 713-0452 | Chain, Endless, #35-2 x 34 Links ... | 1 |
| 6 | 715-0154 | Dowel Pin, 1/4 x 1/2 | 2 |
| 7 | 719-0546 | Housing, Gear | 1 |
| 8 | 719-0547 | Housing, Gear | 1 |
| 9 | 721-0325 | Plug, 1/4 x .437 | 1 |
| 10 | 721-0391 | Seal, Oil | 2 |
| 11 | 741-0301 | Bearing, Ball | 4 |
| | 737-0300A | Grease, Benalene | 5oz. |
| | 759-3746 | Sealant, Ultra Grey, 2 oz. Tube | 1 |

THIS PAGE LEFT
INTENTIONALLY BLANK

RIGHT HAND



| Ref # | Part Number | Part Description | Qty. |
|-------|-------------|----------------------------------|------|
| | 717-0250 | Box, Gear | |
| 1 | TC-772067 | Right Hand Cover | 1 |
| 3 | TC-770026A | Right Angle Drive Housing | 1 |
| 13 | TC-778101A | Miter Gear (17 teeth-steel) | 2 |
| 14 | TC-778101A | Miter Gear (17 teeth)(7/8" long) | |
| 25 | TC-792025 | Screw, 10-24 x 1/2" | 4 |
| 26 | TC-788018 | Retaining Ring | 2 |
| 27 | TC-788019 | Retaining Ring | 1 |
| 66C | TC-776149 | Input Shaft (5.570" long) | 1 |
| 67A | TC-776129 | Output Shaft (4.259" long) | 1 |
| 85 | TC-792039 | Pipe Plug, 1/8-27 Headless | 1 |
| 87A | TC-788031 | Oil Seal 7/8" | 1 |
| 87 | TC-788029 | Oil Seal 7/8" | 1 |
| 88 | TC-780034 | Ball Bearing | 3 |
| 88A | TC-780034 | Ball Bearing | |
| 89 | TC-780024 | Ball Bearing | 1 |
| 102 | TC-786029 | Retainer Cap | 1 |
| 103 | TC-792026 | Bolt, 1/4-20 x 7/8" | 4 |
| 124 | TC-788028 | Cover Gasket | 1 |
| 124A | TC-788030B | Cap Gasket | 1 |

NOTE: This Gear Box Assy. Is Also Used On The Model 340 / 40" Snow Thrower.

