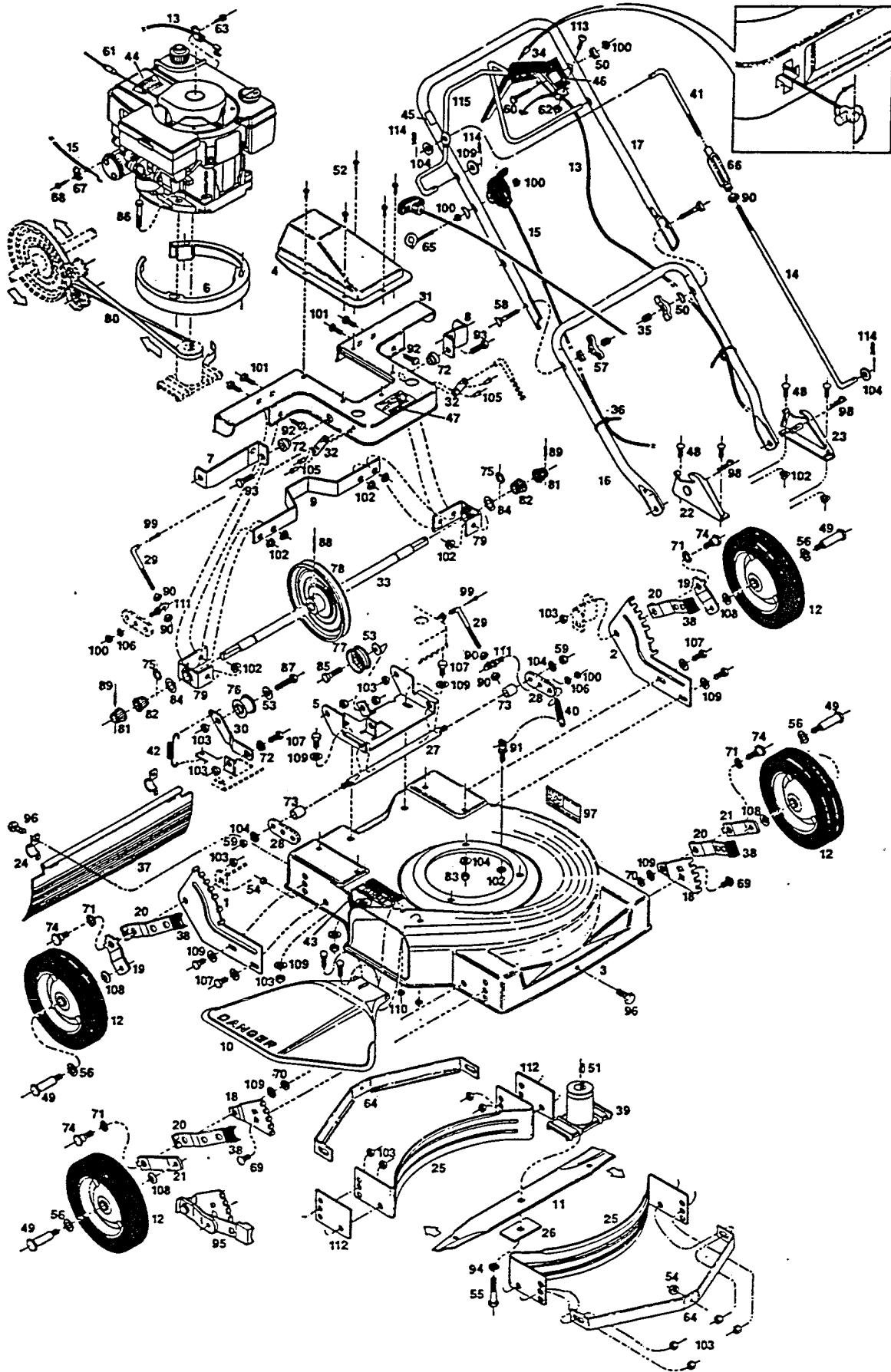


Model 36 7-D  
22" Rear Drive S. P.  
Grass Catcher GC-12



227074

E

**Model 36 7.0**  
**22" Rear Drive Self Propelled Mower**  
**Grass Catcher GC-12**

## PART LIST

INDEX NO.	PART NO.	DESCRIPTION	INDEX NO.	PART NO.	DESCRIPTION
1	029470	Back Plate - Height Adjuster RH Rear	58	151936	Bolt - Curved Head - 5/16-18 x 2-1/4
2	029488	Back Plate - Height Adjuster LH Rear	59	310151	Locknut 5/16-18 Nylon Insert
3	029496	Deck 22"	60	450072	Bolt Hex Head 1/4-20 x 1-1/2
4	027912	Pulley Cover	61	152074	Rope Stop
5	027920	Mounting Bracket - Drive Cover	62	151894	Locknut 8-32 Nylon Insert
6	028100	Spacer - Engine	63	152157	Bolt - Hex Head #10-32 x 1/4
7	028217	Stiffener Brkt. RH	64	106997	Stiffner - Deck
8	028225	Stiffener Brkt. LH	65	152629	Eyebolt - Rope Guide
9	028233	Bracket - Cover - Stiffener	66	453076	5/16-18 Turnbuckle
10	028886	Chute Deflector Assembly*	67	152231	Cable Clamp
11	030353	Blade 22"	68	152249	Screw - Sheet Metal #10-32 x 3/8
12	041020	Wheel 8 x 1.75	69	152405	Bolt - Carriage 3/8-16 x 3/4
13	050856	Cable - Engine/Blade Control*	70	152413	Washer - Plastic - Height Adjuster
14	107581	Drive Control Rod Lower	71	152421	Washer - Spring - Height Adjuster
15	050617	Control - Throttle w/cable	72	152447	Bushing - Idler - Cover
16	071563	Handle - Lower	73	152546	Spacer
17	071795	Handle - Upper	74	153643	Shoulder Bolt - Height Adjuster
18	090589	Back Plate - Height Adjuster	75	152710	Snap Ring - 5/8
19	090605	Wheel Lever - Rear - Height Adjuster	76	170456	Pulley - Idler
20	090613	Setting Lever - Height Adjuster	77	170530	Pulley - Fixed
21	090977	Wheel Lever - Front - Height Adjuster	78	170712	Pulley - Shaft
22	104661	Handle Bracket - Right Hand	79	170720	Bearing - Bronze
23	104679	Handle Bracket - Left Hand	80	170746	Belt - Drive - 22"
24	106914	Clip - Trailing Shield*	81	170860	Drive Roller - Half - Slotted
25	106625	Baffle - Front/Rear	82	170845	Drive Roller - Half
26	106005	Blade Washer - 3"	83	715490	Locknut 5/16-18 Top Lock
27	106195	Shaft - Drive Linkage	84	311324	Washer - 5/8 Thrust
28	106229	End Plate - Drive Linkage	85	312272	Bolt - Hex Head 3/8-16 x 1-1/2
29	106252	Adjuster Rod	86	312306	Bolt - Hex Head 5/16-18 x 2-1/2
30	106286	Bracket - Idler	87	312322	Bolt - Hex Head 3/8-16 x 1-3/4
31	027938	Drive Cover	88	314070	Roll Pin 1/8 x 1-1/8
32	106302	Bracket - Cover Linkage	89	170027	Roll Pin 1/8 x 1
33	106310	Drive Shaft	90	452425	Nut 5/16-18 Hex
34	111575	Control - Engine/Blade*	91	450478	Bolt - Spring Anchor
35	110064	Bolt Cap - Plastic	92	715052	Bolt - Hex Head - 1/4-20 x 1/2
36	110379	Cable Tie	93	457176	Bolt - Hex Head - 3/8-16 x 1-1/4
37	111617	Trailing Shield - Plastic*	94	461475	Lockwasher - 3/8 Extra Duty
38	111260	Plastic Tip - Height Adjuster	95	128686	Height Adjuster Assembly - Front
39	126391	Pulley - Blade Adapter	96	458687	Bolt - Hex Head # 10-24 x 1/2
40	133710	Spring - Cover Return	97	714170	Decal - Model Number
41	783142	Drive Control Rod Upper	98	715011	Hairpin Cotter
42	133223	Spring - Idler Return	99	715029	Cotter Pin 3/32 x 3/4
43	144063	Decal - Danger, Discharge Chute	100	715037	Locknut 1/4-20 Keps
44	144204	Decal - Blade Warning	101	715045	Bolt - Hex Head - 1/4-20 x 3/4
45	141507	Decal - Drive Control	102	715078	Locknut 1/4-20 Flanged Whiz
46	760074	Decal - Engine Control	103	715086	Locknut 3/8-16 Top
47	145482	Decal - Warning, Belt Routing	104	715185	Washer 5/16 Flat
48	150011	Bolt - Carriage 1/4-20 x 5/8	105	715243	Pop Rivet 3/16 x 3/8
49	150060	Shoulder Bolt - Wheel	106	715300	Washer 1/4 Flat
50	150201	Washer - 5/16 Curved	107	715326	Bolt - Hex Head - 3/8-16 x 1
51	150276	Woodruff Key #6	108	715607	Washer - Belleville
52	459685	Screw - Hex Head Sheet Metal #10 x 5/8	109	715417	Washer 3/8 SAE
53	150771	Washer 7/8 x 13/32	110	715508	Locknut 1/4-20 Top
54	452318	Locknut #10-24, Hex Nylon Insert	111	152876	Pivot Stud
55	150987	Bolt - Blade - 3/8-24 x 2-1/4 Gr 5	112	106872	Baffle Extension
56	151449	Washer - Wheel Retaining	113	459065	Bolt Pan HD 8-32 x 5/8
57	151795	Wing Nut 5/16-18	114	490011	Hairpin Cotter
			115	107995	Bail - Drive Control*

NOTE: PARTS ARE RIGHT OR LEFT HAND AS VIEWED FROM OPERATOR POSITION. APPROXIMATE CUTTING HEIGHTS 1-1/8 to 3-1/8". SPECIFICATIONS SUBJECT TO CHANGE WITHOUT PRIOR NOTICE.