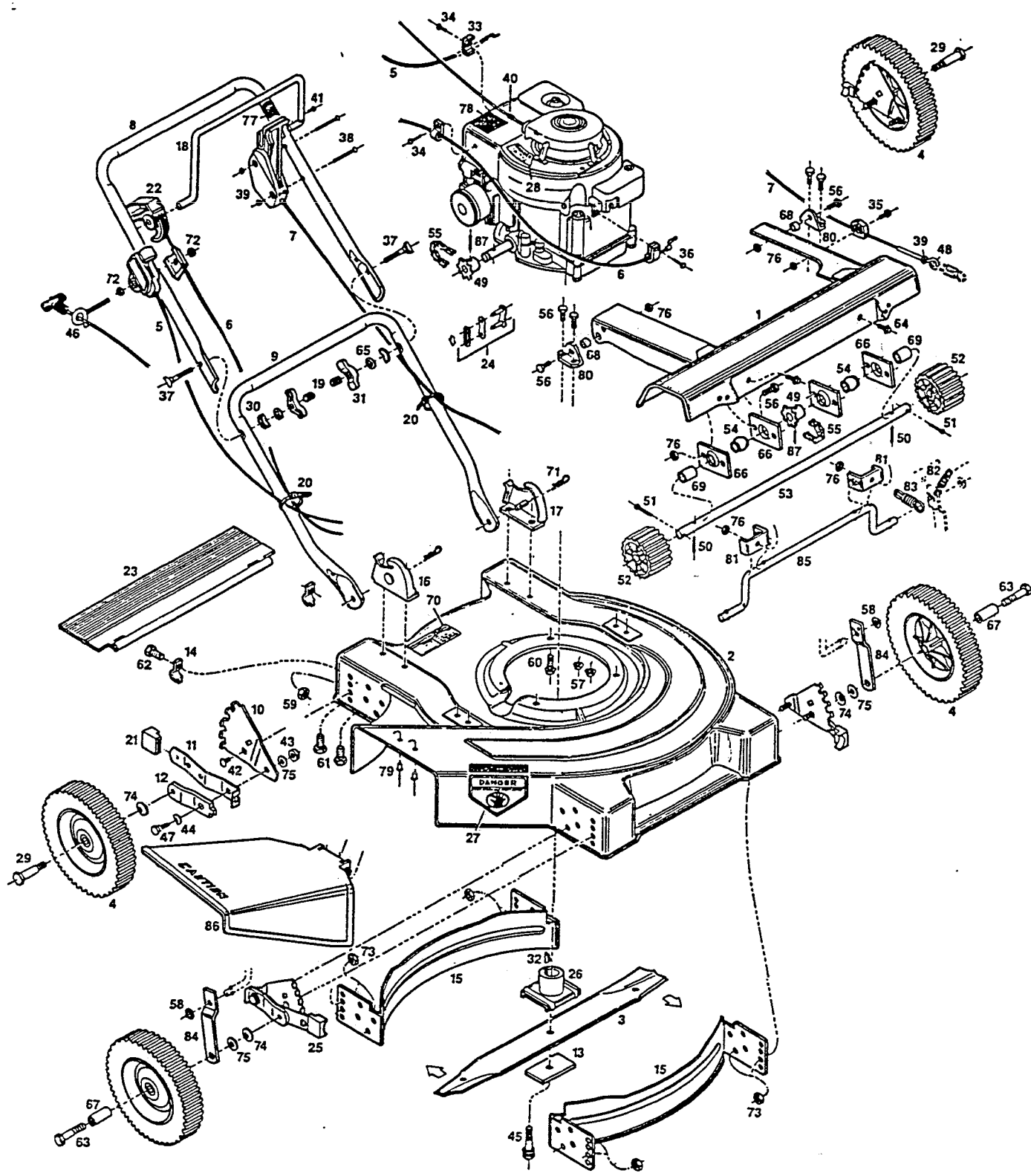


Model 38D  
22" Self-Propelled Rotary Mower  
Grass Catcher 30-0215



22668

**Model 38D**  
**22" Self-Propelled Rotary Mower**  
**Grass Catcher 30-0215**

Index No.	Part No.	Description
1	028506	Cover Assembly
2	028639	Deck - 22"
3	030353	Blade 22" Offset
4	498659	Wheel - 8"
5	051060	Control - Throttle with Cable
6	050732	Cable - Engine/Blade Control*
7	050815	Control - Ground Drive with Cable
8	071092	Handle - Upper
9	071563	Handle - Lower
10	090589	Back Plate - Height Adj.
11	090613	Setting Lever - Height Adj.
12	090712	Wheel Lever - Height Adj.
13	106005	Washer - Blade
14	106914	Clip - Trailing Shield
15	106963	Baffle - Front and Rear
16	107086	Handle Bracket - R.H.
17	107094	Handle Bracket - L.H.
18	107375	Bail - Engine/Blade Control*
19	110064	Plastic Bolt Cap
20	110379	Cable Tie
	111260	Plastic Tip
21	111526	Cable Actuator
23	111617	Trailing Shield - 22" *
24	120295	Master Link No. 65.
25	126367	Adjuster - Height, Assembly
26	126466	Blade Adapter
27	144063	Decal - Danger, Discharge Chute
28	144204	Decal - Blade Warning
29	150060	Bolt - Wheel, Rear
30	150201	Washer - curved 5/16
31	150235	Wingnut 5/16-18
32	150276	Woodruff Key No. 6
33	150318	Cable Clamp
34	150623	Screw Sheet Metal No. 10 x 5/8
35	151522	Bolt No. 10-24 x 3/4
36	151613	Bolt - Hex, No. 10-32 x 3/8 sems
37	151936	Bolt - Curved Head Square
38	151944	Bolt - Oval Head Mach., No. 10-24 x 2
39	151985	Nut - Hex No. 10-24
40	152074	Rope Stop
41	152181	Screw - Bail Retaining
42	152405	Bolt - Carriage 3/8-16 x 3/4
43	152413	Washer - Plastic
44	152421	Spring Washer

Index No.	Part No.	Description
45	152496	Blade Bolt
46	152629	Rope Guide
47	153643	Shoulder Bolt
48	153890	Eye Bolt
49	170142	Sprocket - 8 Tooth
50	314096	Roll Pin 3/16 x 1-1/4
51	317016	Cotter Pin 1/8 x 1
52	416693	Pinion
53	417766	Shaft - Drive
54	423319	Bearing - Spherical
55	425306	Chain
56	449587	Bolt - Hex Head 1/4-20 x 5/8
57	451419	Nut - Top Lock Flange 1/4-20
58	452250	Push Nut
59	452318	Nut - Nylon Insert No. 10-24
60	457168	Bolt - Thread Form 3/8-16 x 7/8
61	153601	Bolt - Thread Form 1/4-20
62	458687	Bolt - No. 10-24 x 1/2
63	459032	Wheel Bolt - Front
64	459206	Bolt - Flange Head, 1/4-20 x 5/8
65	461665	Washer - 5/16 Shake
66	463778	Bearing Plate
67	468322	Spacer - Wheel
68	468355	Spacer - Pivot
69	468405	Spacer - Bearing
70	714170	Decal - Model Number
71	715011	Hairpin Cotter
72	715037	Nut - Keps 1/4-20
73	715086	Locknut Hex - 3/8-16
74	715607	Washer - Belleville 3/8
75	715417	Washer - 3/8 S.A.E.
76	715508	Nut - Top Lock 1/4-20
77	760074	Decal - Engine Control
78	760330	Decal - Starting Instructions
79	764290	Rivet - Pop 3/16
80	769067	Bracket - Pinion Tube
81	771691	Bracket
82	775817	Spring - Pinion
83	775858	Spring - Drive Control
84	778696	Actuator Arm
85	783621	Rod - Engagement
86	463950	Deflector Assembly*
87	715193	Roll Pin 3/16 x 1

NOTE: PARTS ARE RIGHT OR LEFT HAND AS VIEWED FROM THE OPERATOR POSITION.