



Operator's Manual



19" Rear Bagger Electric Lawn Mower

Model 407

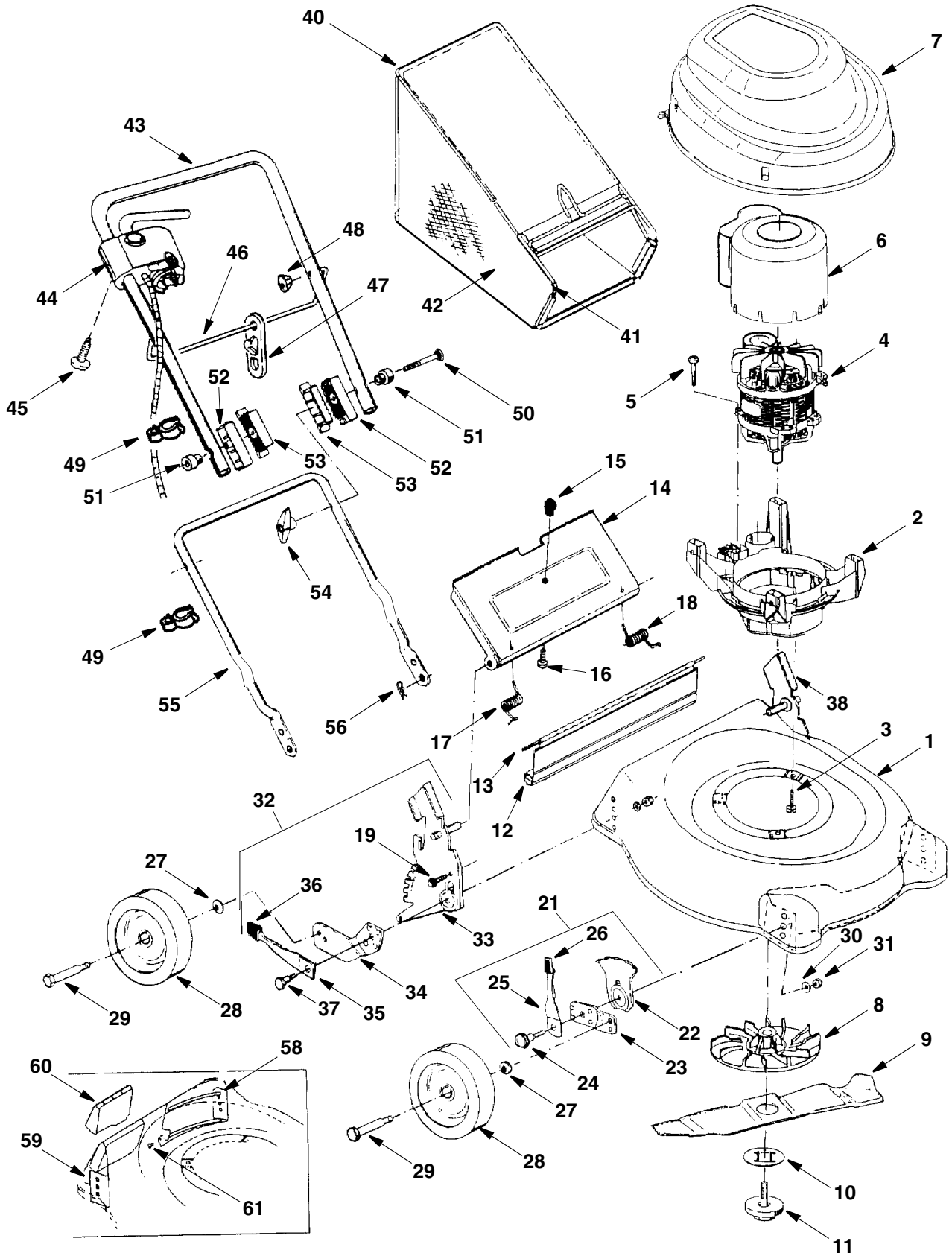
IMPORTANT: Read safety rules and instructions carefully before operating equipment.



This symbol on the product's nameplate means it is listed by UNDERWRITERS LABORATORIES INC.

MTD PRODUCTS INC. P.O. BOX 368022 CLEVELAND, OHIO 44136-9722

SECTION 11: PARTS LIST FOR MODEL 407



Parts List for Model 407

Ref. No.	Part No.	Description	Ref. No.	Part No.	Description
1	782-0054A	Mower Housing, 19"	32	682-0516	Handle Holder Assy, RH
2	731-2399	Motor Support		—	(Includes #33-37)
3	710-1756	Screw	33	682-0514-0637	Handle Bracket, RH
4	724-0309	Electric Motor, 115V, 1500W	34	14765	Pivot Bar, RH
5	710-1756	Screw		14766	Pivot Bar, LH
6	731-2400	Air Guide Cover	35	732-0417A	Spring Lever
7	731-2383-0637	Hood	36	720-0190	Spring Lever Knob
8	631-0132	Blade Hub Assembly	37	738-0507B	Shoulder Bolt
9	742-0826	Cutting Blade	38	682-0513-0637	Handle Bracket, LH
10	782-7051	Locking Plate	39	682-0515	Handle Holder Assy, LH
11	624-0075	Screw, Blade			(Includes #34-38)
12	731-1261	Trailing Shield	40	764-0325	Rear Catcher Frame
13	732-0712	Wire Rod	41	764-0326	Front Catcher Frame
14	782-7025-0637	Rear Discharge Door	42	764-0475A	Grass Bag
15	720-0275	Knob	43	749-1310-0637	Upper Handle
16	710-0192	Truss Screw, 10-24 x .38"	44	725-1942	Cord and Switch Assembly
17	732-0678	Door Spring, RH	45	710-1757	Screw
18	732-0677	Door Spring, LH	46	747-1094	Guide Rod
19	710-0896	Washer Hd Screw, 1/4-14 x .625	47	726-0368	Cord Restraint
21	14578	Height Adj. Assy. RH (shown)	48	720-0279	Wing Nut
	14579	Height Adj. Assy. LH (not shown)	49	731-2422	Cable Guide
		(Both Include Ref #22-26)	50	710-0450	Carriage Bolt
22	15261A	Adjusting Plate	51	731-1388	Insulating Washer
23	15262B	Pivot Bar	52	731-1268	Height Adjuster, Upper Handle
24	738-0507B	Shoulder Bolt	53	731-1267	Height Adjuster, Lower Handle
25	14832	Lever and Knob Assy. (Incl #26)	54	720-0241	Handle Knob
26	720-0190	Knob, Height Adjustment	55	749-1318-0637	Lower Handle
27	736-0105	Spring Washer	56	714-0104	Internal Cotter Pin
28	734-1987	Wheel	57	782-5025-0638	Front Baffle
29	738-0102	Axle Bolt	58	782-5026-0638	Rear Baffle
30	736-0356	Spring Washer	59	782-5004-0638	Rear Mulch Baffle
31	712-0798	Nut	60	731-2386	Rear Mulch Plug
			61	710-1017	Tap Screw, 1/4-14 x .625"

