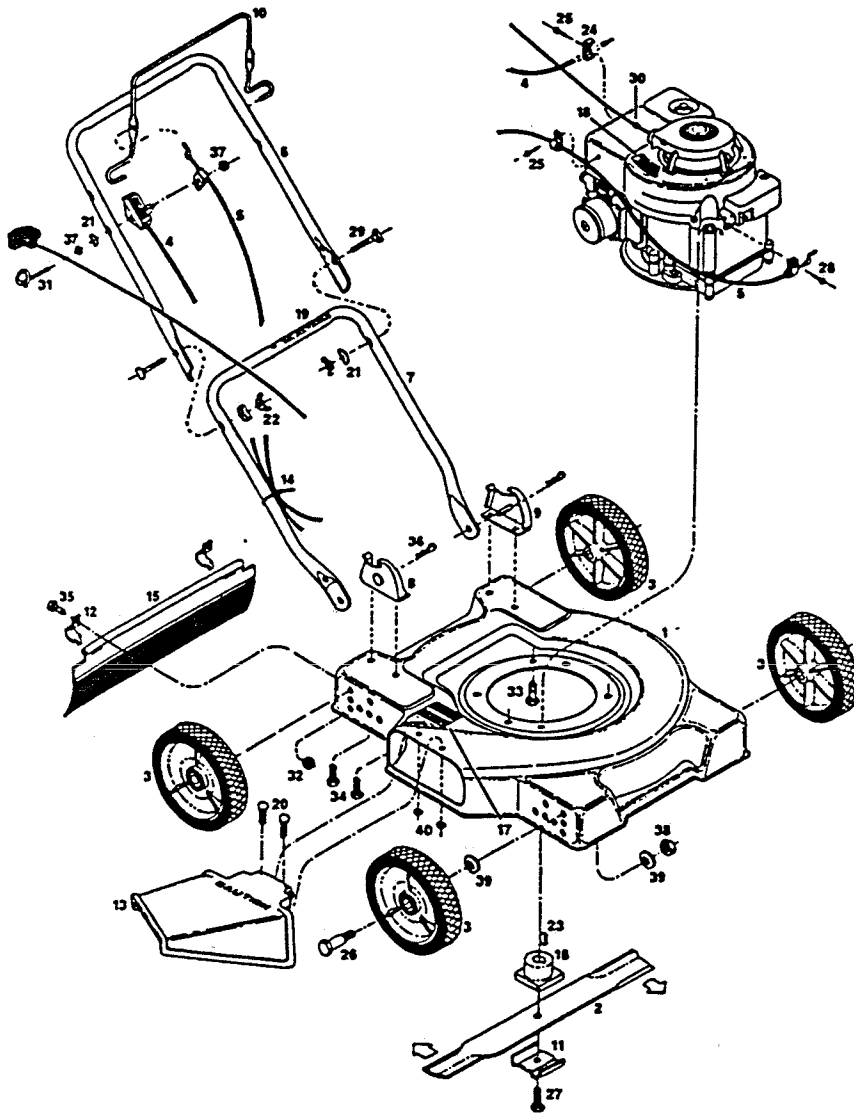


**Model 40E**  
**19" Side Discharge Rotary Mower**  
**Grass Catcher Model GC-6A**



INDEX PART		
NO.	NO.	DESCRIPTION
1	029017	Deck 19" Green
	029025	Deck 19" Red
2	030023	Blade - 19" Flat
3	041459	Wheel - 6" Plastic
	041467	Wheel 7" Plastic
	041202	Wheel 6" Steel
4	051219	Control - Throttle Plastic
5	051037	Cable - Engine/Blade Control*
6	071076	Handle - Upper
7	071563	Handle - Lower
8	107086	Handle Bracket - Right Hand
9	107094	Handle Bracket - Left Hand
10	109389	Bail - Engine/Blade Control (Black)*
	104687	Bail - Engine/Blade Control (Plated)*
11	106336	Washer - Blade Adapter
12	106914	Clip - Trailing Shield
13	110221	Chute Deflector Assembly*
14	110379	Cable tie
15	111583	Trailing Shield*
16	133231	Blade Adapter
17	144063	Decal - C.P.S.C. Danger
18	001461	Decal - Blade Warning
19	144899	Decal - Starting Instructions
20	150011	Bolt - Carriage 1/4-20 x 5/8
21	150201	Washer - Curved 5/16
22	150235	Wingnut 5/16-18
23	150276	Woodruff Key #6
24	150318	Cable Clamp
25	150623	Self Tap Screw #10 x 5/8
26	150730	Shoulder Bolt - Wheel
27	150862	Bolt - Blade 3/8-24 x 1 1/4 Gr. 8
28	151613	Bolt - Hex Head #10-32 x 3/8 SEMS
29	151928	Bolt - Curved Head 5/16-18 x 1 1/4
30	152074	Rope Stop
31	152629	Rope Guide
32	452318	Nut #10-24 HX Nylon Insert
33	457168	Bolt - Hex Head Self Tap 3/8-16 x 7/8
34	457499	Bolt - Self Tap 1/4-20 x 5/8
35	458687	Bolt #10-24 x 1/2
36	715011	Hairpin Cotter
37	715037	Nut - Keps 1/4-20
38	715086	Locknut 3/8-16 Top
39	715417	Washer Flat 3/8 SAE
40	715508	Locknut 1/4-20 Top

NOTE: Parts are right or left hand as viewed from operator position.  
 Approximate cutting heights 7/8" to 2-3/8"

227009