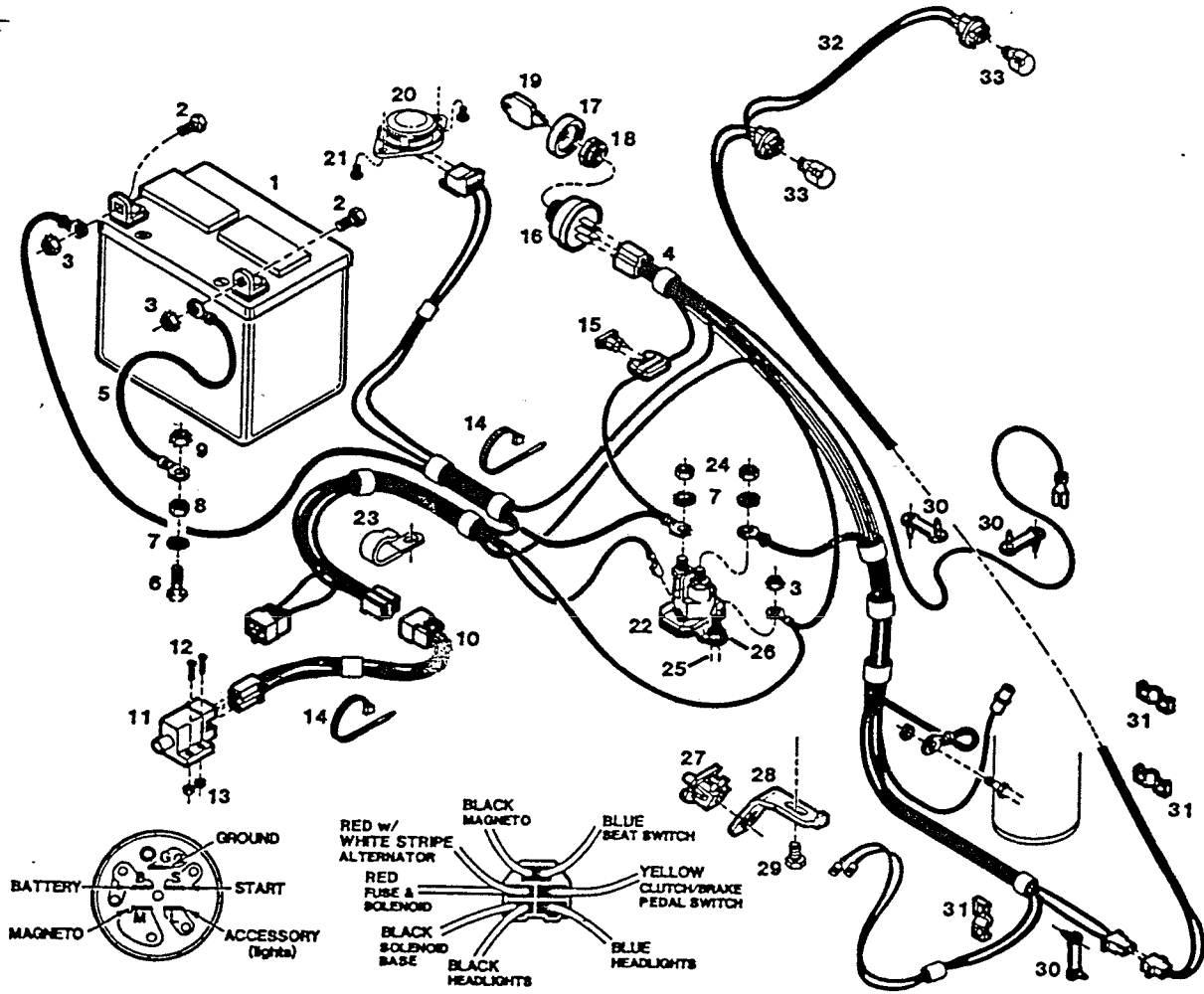


MODEL 420 H
 12 HP I/C Electric Start 36" Cut Lawn Tractor
 Grass Catcher 39/45 P/N 228759



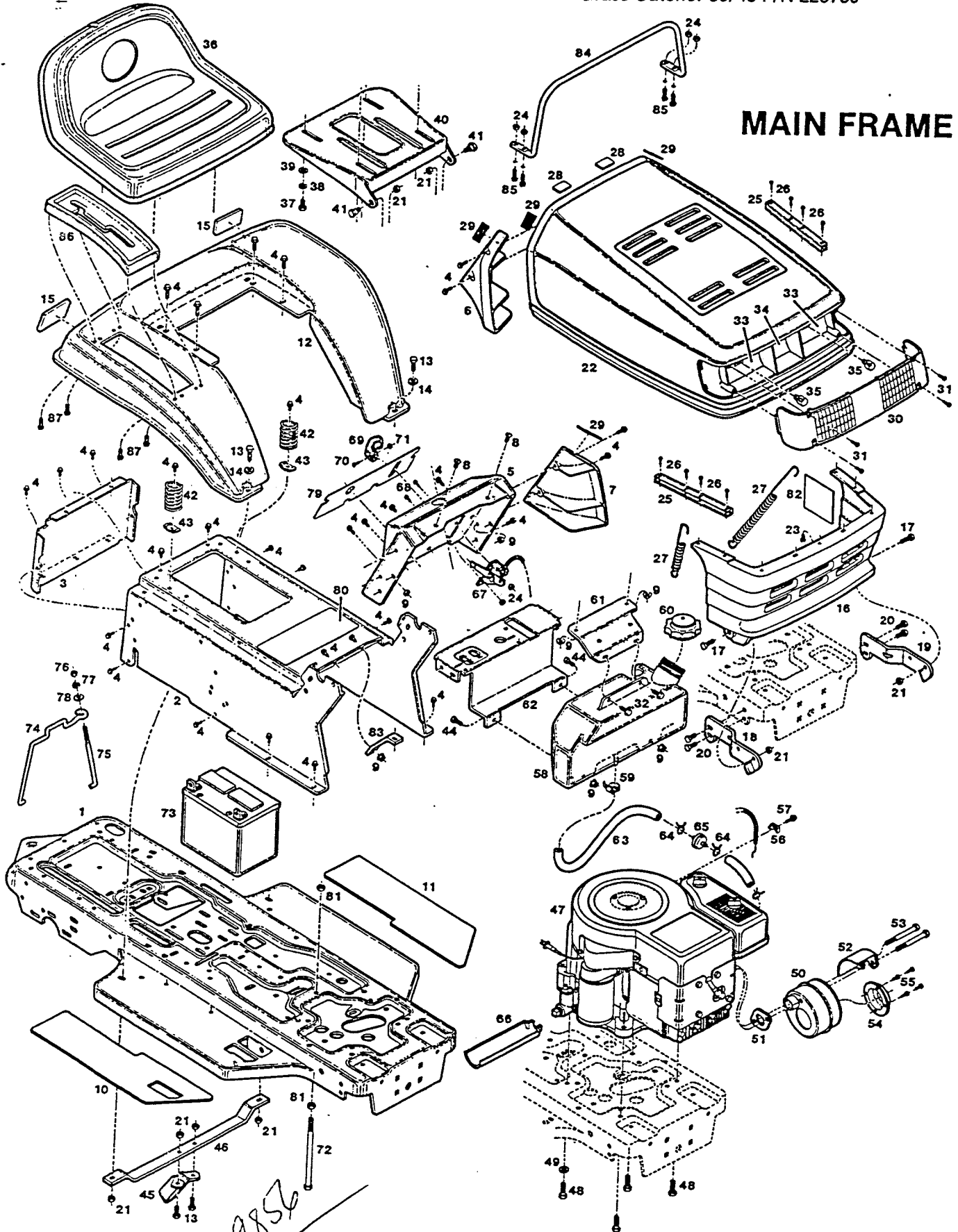
MODEL 420 ELECTRICAL SYSTEM

| Index No. | Part No. | Description | Index No. | Part No. | Description |
|-----------|----------|---|-----------|----------|------------------------------------|
| 1 | 135350 | Battery - 12 volt, dry | 18 | 158717 | Nut - 5/8-32 ignition sw. |
| 2 | 449587 | Bolt - 1/4-20 x 5/8 hex hd. | 19 | 136242 | Key - ignition |
| 3 | 715037 | Nut - 1/4-20 hex keps | 20 | 135897 | Switch - seat |
| 4 | 136986 | Harness - wire | 21 | 158030 | Screw - 1/4-20 x 3/8 phil. pan hd. |
| 5 | 134908 | Wire - ground | 22 | 134940 | Solenoid - starter |
| 6 | 152108 | Bolt - 5/16-18 x 1 hex hd. | 23 | 135145 | Retainer - deck wire |
| 7 | 152975 | Washer - 5/16 ext. tooth lock | 24 | 157974 | Nut - 5/16-24 hex |
| 8 | 616342 | Nut - 5/16-18 center lock | 25 | 158121 | Bolt - 1/4-20 x 3/4 hex hd. |
| 9 | 150136 | Nut - 5/16-18 keps | 26 | 616375 | Nut - 1/4-20 hex center lock |
| 10 | 135368 | Wire assy. - deck switch | 27 | 135822 | Switch - neutral start |
| 11 | 134825 | Switch - interlock, on deck | 28 | 172171 | Bracket - switch mtg. |
| 12 | 158451 | Screw - #10-24 x 5/8 phil. pan hd. blk. | 29 | 158089 | Screw - taptite 1/4-20 x 1/2 |
| 13 | 715334 | Nut - #10-24 hex keps | 30 | 112326 | Retainer - wire |
| 14 | 110379 | Tie - nylon cable | 31 | 134676 | Clip - wire, press on |
| 15 | | Fuse - 15 amp | 32 | 136945 | Harness - headlight |
| 16 | 136226 | Switch - ignition w/o keys | 33 | 135533 | Bulb - headlight |
| 17 | 112698 | Boot - ignition switch | | | |

* purchase locally

MODEL 420 H
12 HP I/C Electric Start 36" Cut Lawn Tractor
Grass Catcher 39/45 P/N 228759

MAIN FRAME



MODEL 420 H
12 HP I/C Electric Start 36" Cut Lawn Tractor
Grass Catcher 39/45 P/N 228759

MODEL 420 MAIN FRAME

| Index No. | Part No. | Description | Index No. | Part No. | Description |
|-----------|----------|--------------------------------|-----------|----------|--------------------------------|
| 1 | 018739 | Frame - main | 46 | 016071 | Strap - guide support |
| 2 | 017459 | Console - chassis | 47 | | Engine - 12 HP |
| 3 | 013250 | Plate - console rear | 48 | 158014 | Bolt - hex 3/8-16 x 1-1/4 |
| 4 | 158089 | Screw - taptite 1/4-20 x 1/2 | 49 | 153551 | Washer - ext tooth lock 3/8 |
| 5 | 015222 | Dash panel | 50 | 136523 | Muffler - exhaust |
| 6 | 113647 | Extension - dash RH | 51 | 134692 | Gasket - muffler |
| 7 | 113167 | Extension - dash LH | 52 | 096263 | Shield - heat |
| 8 | 715615 | Screw - slot hd 1/4-20 x 5/8 | 53 | 312165 | Bolt - hex 5/16-18 x 3-1/2 |
| 9 | 715078 | Nut - hex 1/4-20 whiz lock | 54 | 174797 | Deflector - exhaust |
| 10 | 113092 | Pad - foot RH platform | 55 | 158527 | Screw - hex #8-32 x 3/8 |
| 11 | 113084 | Pad - foot LH platform | 56 | 159269 | Clamp - throttle cable |
| 12 | 017392 | Fender - rear wheel | 57 | 159277 | Screw - cable clamp |
| 13 | 152108 | Bolt - hex 5/16-18 x 1 | 58 | 113696 | Tank - fuel |
| 14 | 158469 | Washer - flat 5/16 | 59 | 162404 | Clamp - fuel line |
| 15 | 112755 | Reflector - rear, red | 60 | 113340 | Cap - fuel tank |
| 16 | 113142 | Hood - lower | 61 | 017889 | Bracket - fuel tank |
| 17 | 162057 | Bolt - shoulder 5/16-18 x 1 | 62 | 017442 | Bracket - fuel tank |
| 18 | 172452 | Support - hood RH | 63 | 137745 | Hose - fuel line |
| 19 | 172478 | Support - hood LH | 64 | 303859 | Clamp - fuel line |
| 20 | 450437 | Bolt - hex 5/16-18 x 5/8 | 65 | 432625 | Filter - fuel |
| 21 | 616342 | Nut - hex 5/16-18 | 66 | 112805 | Trough - oil drain |
| 22 | 113134 | Hood - upper | 67 | 051862 | Lever - throttle w/cable |
| 23 | 151522 | Screw - plastite #10-24 x 3/4 | 68 | 158451 | Screw - taptite #10-24 x 5/8 |
| 24 | 715334 | Nut - hex keps #10-24 | 69 | 112730 | Knob - throttle lever |
| 25 | 015297 | Strip - hood sides | 70 | 159335 | Screw - pan head #8-32 x 3/8 |
| 26 | 151118 | Screw - taptite #10-24 x 1/2 | 71 | 159244 | Nut - hex #8-32 |
| 27 | 136416 | Spring - hood | 72 | 158584 | Bolt - hex 3/8-16 x 7-1/2 |
| 28 | 446799 | Pad - hood | 73 | 135350 | Battery - 12 volt dry |
| 29 | 136671 | Fastener - hood (hook & loop) | 74 | 179697 | Bracket - battery hold-down |
| 30 | 017038 | Lens - headlights | 75 | 179705 | Rod - battery hold-down |
| 31 | 158865 | Screw - taptite #6 x 1/2 | 76 | 310052 | Nut - hex 1/4-20 |
| 32 | 450858 | Screw - hex tap 1/4-20 x 3/4 | 77 | 715094 | Washer - split lock 1/4 |
| 33 | 007856 | Reflector - headlights | 78 | 615690 | Washer - flat 1/4 |
| 34 | 007864 | Reflector - center | 79 | 008276 | Decal - dash, OPERATION |
| 35 | 135533 | Bulb - headlight | 80 | 009589 | Decal - console, DANGER |
| 36 | 136960 | Seat | 81 | 310011 | Nut - hex 3/8-16 |
| 37 | 450346 | Bolt - hex 5/16-18 x 3/4 | 82 | 006874 | Decal - heat reflective |
| 38 | 311118 | Washer - split lock 5/16 | 83 | 018044 | Brace - fuel tank |
| 39 | 715185 | Washer - flat 5/16 | 84 | 174938 | Support - hood |
| 40 | 013888 | Plate - seat mount | 85 | 159400 | Screw - hex taptite #10-24 x 1 |
| 41 | 157503 | Bolt - shoulder 5/16-18 x 5/32 | 86 | 113639 | Guide - shift lever |
| 42 | 135632 | Spring - seat | 87 | 158840 | Screw - taptite #10-24 x 3/4 |
| 43 | 097386 | Clamp - seat spring | — | 392043 | Hitch Extension Kit |
| 44 | 715045 | Bolt - hex 1/4-20 x 3/4 | | | |
| 45 | 014720 | Guide - deck | | | |

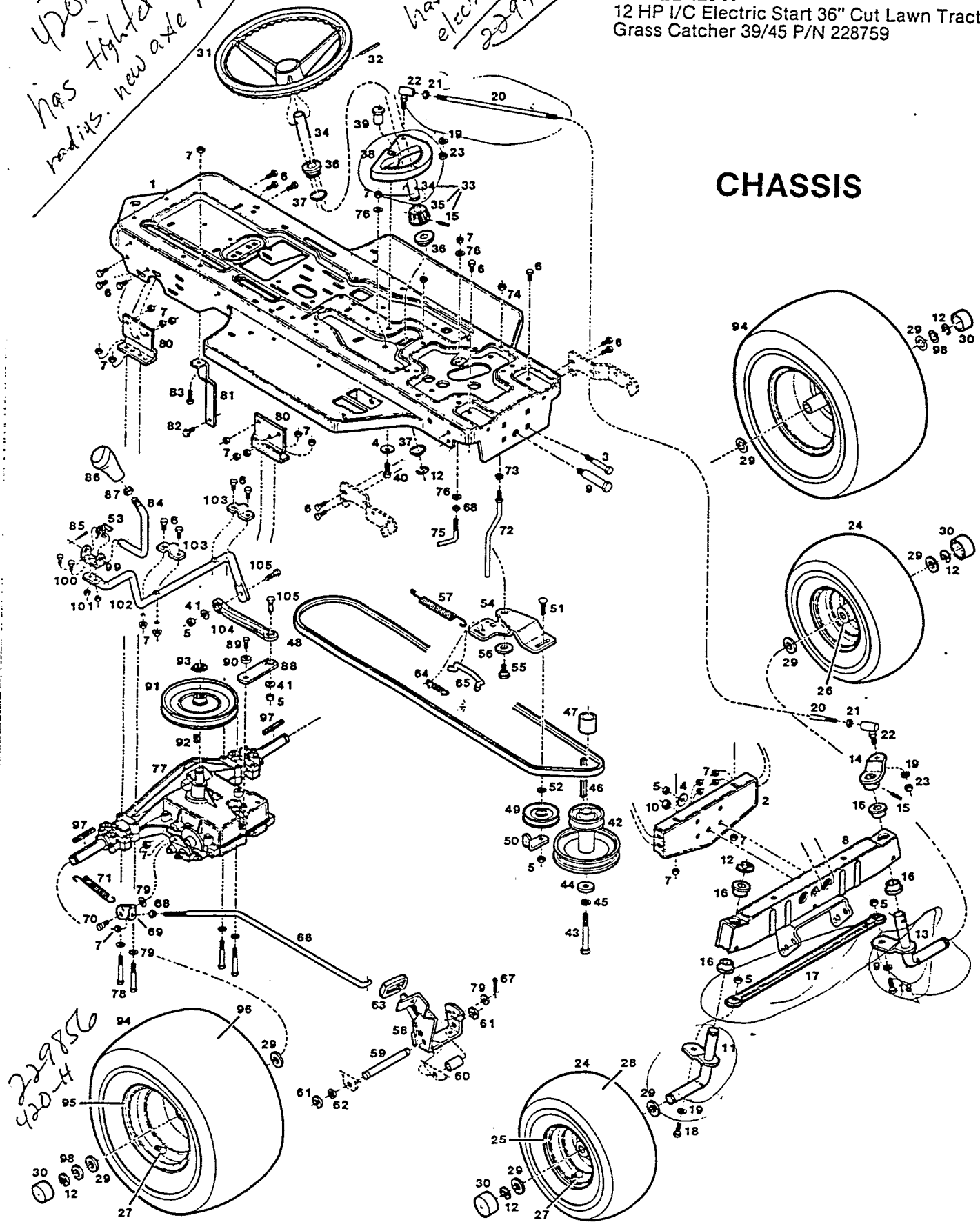
*Contact engine manufacturer's authorized service dealer for parts and warranty.

229971
420A-H
has lighter turning
radius. new axle parts only.

420AA-H
has new
electrical system
229997

MODEL 420 H
12 HP I/C Electric Start 36" Cut Lawn Tractor
Grass Catcher 39/45 P/N 228759

CHASSIS



229856
420-H
958622

MODEL 420 H
12 HP I/C Electric Start 36" Cut Lawn Tractor
Grass Catcher 39/45 P/N 228759

MODEL 420 CHASSIS

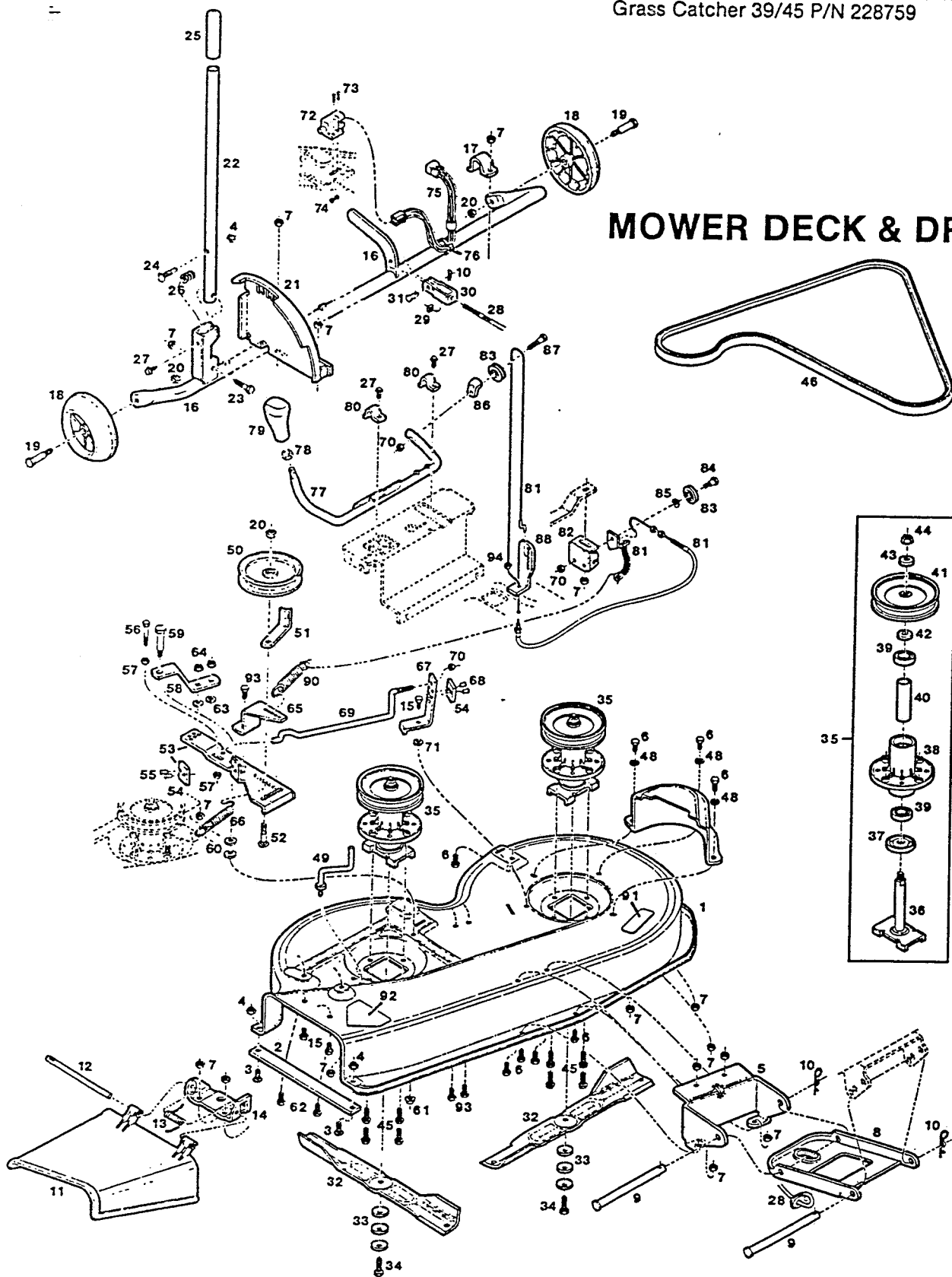
| Index No. | Part No. | Description | Index No. | Part No. | Description |
|-----------|----------|---|-----------|----------|--|
| 1 | 018739 | Frame - main | 54 | 014787 | Arm - idler |
| 2 | 096792 | Bracket - front axle | 55 | 157479 | Bolt - shoulder 5/16-18 x 1-1/4 |
| 3 | 450767 | Bolt - hex 3/8-16 x 2-3/4 | 56 | 158048 | Washer - flat |
| 4 | 158055 | Washer - conical 3/8 | 57 | 158576 | Spring - idler arm |
| 5 | 310011 | Nut - hex 3/8-16 | 58 | 391730 | Pedal - clutch/brake w/brake latch |
| 6 | 450437 | Bolt - hex 5/16-18 x 5/8 | 59 | 172163 | Shaft - pedal |
| 7 | 616342 | Nut - hex 5/16-18 | 60 | 172189 | Spacer - pedal |
| 8 | 018457 | Axle - front | 61 | 316521 | Ring - retaining |
| 9 | 380485 | Bolt - shoulder 1/2-20 x 2-5/8 | 62 | 158873 | Washer - flat 1/2 |
| 10 | 158428 | Nut - hex 1/2-20 ctr. lock | 63 | 135566 | Pad - pedal |
| 11 | 018564 | Spindle - steering RH | 64 | 158592 | Spring - pedal return |
| 12 | 316513 | Ring - retainer | 65 | 096719 | Rod - clutch |
| 13 | 018556 | Spindle - steering LH | 66 | 179358 | Rod - brake |
| 14 | 018523 | Arm - steering | 67 | 715029 | Pin - cotter 3/32 x 3/4 |
| 15 | 314088 | Pin - roll 1/4 x 1-1/4 | 68 | 150136 | Nut - hex keps 5/16-18 |
| 16 | 135673 | Bearing - spindle | 69 | 113241 | Bracket - brake rod |
| 17 | 172486 | Rod - tie, steering * | 70 | 157503 | Bolt - shoulder 5/16-18 x 11/16 |
| 18 | 153015 | Bolt - hex 3/8-16 x 1-1/4 | 71 | 109637 | Spring - brake return |
| 19 | 150185 | Washer - lock 3/8 | 72 | 096644 | Guide - belt |
| | 391722 | Drag link assembly, (includes 20, 21 & 22) | 73 | 451500 | Nut - hex keps 3/8-16 |
| 20 | 097071 | Link - drag | 74 | 715524 | Nut - hex jam 3/8-16 |
| 21 | 158105 | Nut - hex jam 3/8-24 | 75 | 096669 | Guide - belt |
| 22 | 135038 | Joint - ball | 76 | 158212 | Washer - flat |
| 23 | 615633 | Nut - hex 3/8-24 | 77 | | Transaxle - 5 speed (Foote Model 4360-25) |
| 24 | 042242 | Wheel - front w/tire & rim | 78 | 158154 | Bolt - hex 5/16-18 x 2-3/4 |
| 25 | 042366 | Rim - front tire | 79 | 715185 | Washer - flat 5/16 |
| 26 | 159384 | Bearing - wheel | 80 | 013243 | Bracket - transaxle |
| 27 | 136291 | Stem - valve w/cap | 81 | 018143 | Brace - transaxle |
| 28 | 041988 | Tire - front 15 x 6.00 tubeless | 82 | 159228 | Bolt - hex tap 5/16-18 x 3/4 |
| 29 | 158063 | Washer - flat 3/4 | 83 | 152108 | Bolt - hex 5/16-18 x 1 |
| 30 | 112409 | Cap - hub | 84 | 178939 | Lever - gear shift, upper |
| 31 | 112771 | Wheel - steering | 85 | 317016 | Pin - cotter 1/8 x 1 |
| 32 | 159434 | Pin - roll 1/4 x 2 | 86 | 112664 | Knob - shift lever |
| 33 | 135574 | Shaft - steering w/pinion (includes 34, 35 & 15) | 87 | 615625 | Nut - hex jam 1/2-13 |
| 34 | 135699 | Shaft - steering | 88 | 179945 | Arm - shift |
| 35 | 135681 | Pinion - steering | 89 | 157982 | Bolt - hex nylock 1/4-28 x 3/4 |
| 36 | 135640 | Bearing - steering shaft | 90 | 157792 | Washer - flat |
| 37 | 158535 | Ring - retaining | 91 | 172072 | Pulley - transaxle |
| 38 | 171355 | Sector - steering | 92 | 615534 | Key - woodruff #9 |
| 39 | 157768 | Nut - sector adjusting | 93 | 159285 | Ring - retainer |
| 40 | 158543 | Bolt - hex 3/8-24 x 1 | 94 | 042283 | Wheel - rear w/tire |
| 41 | 715417 | Washer - flat 3/8 | 95 | 042291 | Rim - rear wheel |
| 42 | 172197 | Pulley - engine, double | 96 | 041749 | Tire - rear 18 x 9.50 tubeless |
| 43 | 162099 | Bolt - hex 7/16-20 x 4-1/2 | 97 | 446617 | Key - rear wheel 3/16 x 2-1/2 |
| 44 | 158253 | Washer - pilot | 98 | 158188 | Washer - flat 3/4 |
| 45 | 311068 | Washer - split lock 7/16 | 99 | 179424 | Bracket - shift lever |
| 46 | 162032 | Key - pulley | 100 | 159004 | Bolt - hex 1/4-20 x 3/4 |
| 47 | 162354 | Spacer - pulley | 101 | 715508 | Nut - hex 1/4-20 |
| 48 | 171215 | Belt - drive | 102 | 178962 | Lever - gear shift, lower |
| 49 | 109645 | Pulley - idler | 103 | 173138 | Clip - retainer, lower lever |
| 50 | 015198 | Retainer - belt | 104 | 177303 | Link - connecting |
| 51 | 157750 | Bolt - carriage 3/8-16 x 1-1/2 | 105 | 457176 | Bolt - hex 3/8-16 x 1-1/4 |
| 52 | 158345 | Washer - flat 3/8 | — | 042077 | Tube - front tire 15 x 6.00 (optional) |
| 53 | 179408 | Spring - torsion | — | 042093 | Tube - rear tire 18 x 9.50 (optional) |

* Contact Foote - authorized service dealer or distributor for parts and warranty.

* S/N 228726 uses 098095 tie Rod.
 * S/N 228856 uses 098095 tie Rod
 S/N 228965 uses 014183 tie Rod
 S/N 229971 uses 172486 tie Rod

MODEL 420 H
12 HP I/C Electric Start 36" Cut Lawn Tractor
Grass Catcher 39/45 P/N 228759

MOWER DECK & DRIVE



MODEL 420 H
12 HP I/C Electric Start 36" Cut Lawn Tractor
Grass Catcher 39/45 P/N 228759

36" MOWER DECK AND DRIVE

| Index No. | Part No. | Description | Index No. | Part No. | Description |
|-----------|----------|---|-----------|----------|--|
| 1 | 021774 | Deck 36" | 51 | 098012 | Retainer - belt |
| 2 | 014456 | Bar - skid | 52 | 158444 | Bolt - carriage 3/8-16 x 2 |
| 3 | 313510 | Bolt - carriage 5/16-18 x 3/4 | 53 | 098053 | Arm - idler w/brake pad includes next three parts: |
| 4 | 150136 | Nut - hex keps 5/16-18 | | 014084 | Arm - idler w/o brake pad |
| 5 | 018549 | Bracket - deck drawbar | | 135046 | Pad - brake |
| 6 | 450437 | Bolt - hex 5/16-18 x 5/8 | 54 | 159152 | Rivet - 3/16 x 1/2 |
| 7 | 616342 | Nut - hex 5/16-18 ctr. lock | 55 | 150433 | Bolt - hex 1/4-20 x 2 |
| 8 | 018531 | Drawbar - deck | 56 | 715037 | Nut - hex keps 1/4-20 |
| 9 | 097469 | Pin - drawbar | 57 | 014464 | Bracket - idler arm pivot |
| 10 | 715011 | Hairpin cotter | 58 | 158733 | Bolt - shoulder 3/8-16 x 2-9/16 |
| 11 | 113076 | Deflector - discharge opening | 59 | 158337 | Washer - flat 3/8 special (thick) |
| 12 | 096438 | Pin - deflector hinge | 60 | 715482 | Nut - hex 3/8-16 whiz |
| 13 | 097972 | Spring - chute deflector | 61 | 158998 | Bolt - hex 5/16-18 x 3/4 |
| 14 | 014449 | Bracket - deflector pivot | 62 | 715185 | Washer - flat 5/16 |
| 15 | 312082 | Bolt - hex 5/16-18 x 1/2 | 63 | 159236 | Nut - hex 5/16-18 flange |
| 16 | 017053 | Tube - deck suspension | 64 | 014159 | Extension - idler arm |
| 17 | 014589 | Clip - tube retaining | 65 | 109637 | Spring - brake |
| 18 | 042226 | Wheel - deck 6" | 66 | 015883 | Arm - blade brake includes 54 and 68 |
| 19 | 157495 | Bolt - shoulder 3/8-16 x 2-1/8 | 67 | | |
| 20 | 310011 | Nut - hex 3/8-16 ctr. lock | 68 | 159186 | Rivet |
| 21 | 018572 | Quadrant - height adjust | 69 | 097618 | Rod - brake |
| 22 | 016022 | Lever - height adjust | 70 | 616375 | Nut - hex 1/4-20 ctr. lock |
| 23 | 157958 | Bolt - hex 5/16-18 x 1-1/2 | 71 | 158212 | Washer - flat 5/16 |
| 24 | 159079 | Screw - latch 5/16-18 | 72 | 134825 | Switch - system interlock |
| 25 | 113274 | Grip - lever | 73 | 158451 | Screw - machine #10-24 x 5/8 |
| 26 | 109991 | Spring - lever tension | 74 | 715334 | Nut - hex #10-24 keps |
| 27 | 158089 | Screw - self top 1/4-20 x 1/2 | 75 | 135368 | Harness - wiring |
| 28 | 052266 | Cable - deck lift/leveling | 76 | 110379 | Tie - cable |
| 29 | 157966 | Nut - square 1/4-20 | 77 | 098848 | Lever - engaging, mower drive |
| 30 | 159137 | Clevis - cable | 78 | 615625 | Nut - hex jam 1/2-13 |
| 31 | 157263 | Pin - clevis | 79 | 112664 | Knob - engaging lever |
| 32 | 030551 | Blade - hi lift 18-1/8" | 80 | 097253 | Clip - lever retaining |
| 33 | 158055 | Washer - formed spring 3/8 | 81 | 052126 | Cable - engaging, mower drive includes 71,83,84,85 and 86 |
| 34 | 158543 | Bolt - hex 3/8-24 x 1 nylock | | | |
| 35 | 015891 | Spindle assembly - blade includes 37 thru 45 | 82 | 174128 | Bracket - guide pulley |
| 36 | 098160 | Shaft - blade w/saddle | 83 | 112177 | Pulley - cable guide |
| 37 | 134981 | Shield - dust | 84 | 158683 | Bolt - shoulder 1/4-20 x 1 |
| 38 | 134973 | Housing - shaft and bearings | 85 | 158956 | Washer - flat 1/4 special |
| 39 | 095406 | Bearing - blade shaft | 86 | 096305 | Retainer - cable |
| 40 | 095398 | Spacer - bearings | 87 | 157446 | Bolt - shoulder 1/4-20 x 1-3/8 |
| 41 | 098152 | Pulley - drive | 88 | 177659 | Bracket - cable anchor |
| 42 | 159319 | Spacer - pulley | 89 | 615526 | Bolt - hex 1/4-20 x 5/8 |
| 43 | 157396 | Washer - pulley retainer | 90 | 137653 | Spring - clutch engaging |
| 44 | 159301 | Nut - hex flange lock 7/16-20 | 91 | 004655 | Decal - NO STEP |
| 45 | 159202 | Bolt - hex taptite 5/16-18 x 1-3/8 | 92 | 143115 | Decal - DANGER |
| 46 | 135855 | Belt - blade drive | 93 | 158998 | Bolt - hex 5/16-18 x 3/4 |
| 47 | 113209 | Guard - belt, L.H. | 94 | 159426 | Nut - hex 1/4-28 |
| 48 | 152728 | Washer - flat 5/16 | | 392209 | Deck assembly - complete |
| 49 | 172130 | Guide - belt | | 031021 | Blade - No Lift (optional) |
| 50 | 098004 | Pulley - idler | | | |