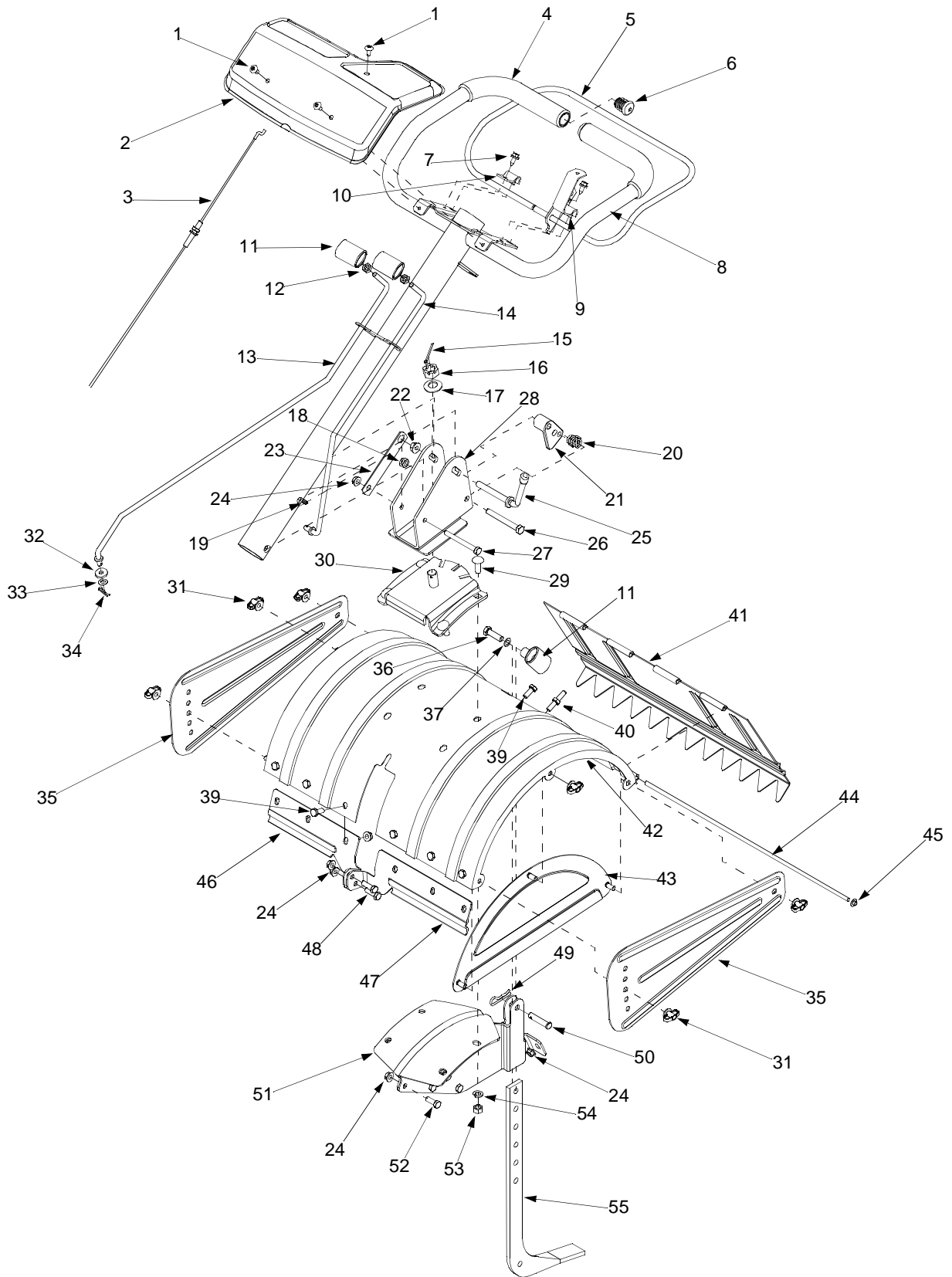


# Model Series 420



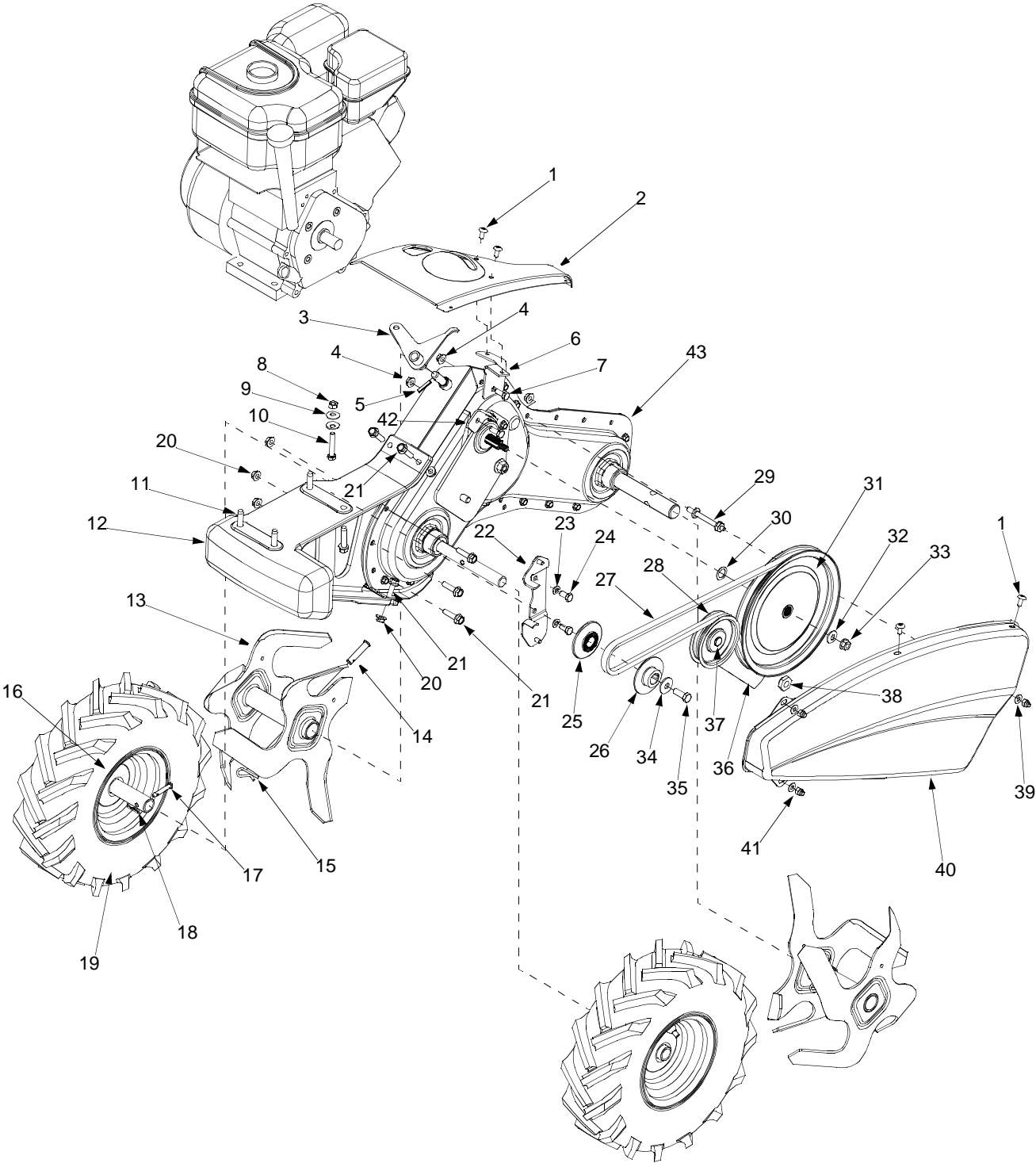
# Model Series 420

Ref. No.	Part No.	Part Description	Ref. No.	Part No.	Part Description
1.	710-1017	Tap Screw 1/4-14 x .625	28.	686-0048	Handle Pivot Bracket Assembly
2.	786-0131	Handle Cover w/o Throttle	29.	710-3097	Carriage Bolt 3/8-16 x 1.0
3.	746-0916	Clutch Cable	30.	686-0071	Handle Bracket Assembly
4.	720-0278A	Foam Grip	31.	712-0421	Wing Nut
5.	647-0014	Clutch Control Assembly	32.	735-0127	Rubber Washer .33 ID x .87 OD
6.	735-0246	End Plug	33.	736-0204	Flat Washer .344 ID x .62 OD
7.	710-0896	Hex Washer Screw 1/4-14 x .625	34.	714-0104	Cotter Pin
8.	649-0016	Handle Assembly	35.	786-0090	Side Shield
9.	786-0118	Return Bracket - LH	36.	710-3005	Hex Cap Screw 3/8-16 x 1.25
10.	786-0098	Return Bracket - RH	37.	736-0117	Flat Washer .375 ID x .620 OD
11.	720-0210A	Knob	39.	710-3008	Hex Cap Screw 5/16-18 x .75
12.	712-3008	Jam Nut 3/8-16	40.	738-0849	Hex Screw 5/16-18 x .75
13.	747-0902	Shift Control	41.	786-0113	Rear Tine Shield Flap
14.	747-0901	Handle Adjustment Rod	42.	786-0085	Tine Shield
15.	714-3021	Cotter Pin	43.	686-0044A	End Cover Assembly
16.	712-0386A	Slotted Hex Nut 5/8	44.	747-0432	Rod
17.	736-0317	Bell Washer .64 ID x 1.25 OD	45.	726-0106	Cap Nut
18.	712-0375	Hex Lock Nut 3/8-16	46.	786-0076	Shield Bracket RH
19.	726-0330	Cable Clip	47.	786-0077	Shield Bracket - LH
20.	732-0493	Torsion Spring	48.	710-0376	Hex Cap Screw 5/16-18 x 1.0
21.	748-0375	Handle Swing Link	49.	714-0147	Cotter Pin
22.	712-0379	Flange Lock Nut 3/8-24	50.	711-0415	Clevis Pin
23.	784-0191	Retainer Bracket	51.	686-0043A	Shield Tine Bracket Assembly
24.	712-3004A	Hex Flange Lock Nut 5/16-18	52.	710-3038	Hex Cap Screw 5/16-18 x .875
25.	784-0190	Adjustable Crank Handle	53.	712-0798	Hex Nut 3/8-16
26.	710-0521	Hex Cap Screw 3/8-16 x 3.0	54.	736-0169	Lock Washer 3/8
27.	710-0189	Hex Cap Screw 5/16-18 x 3.0	55.	786-0120	Depth Stake

**NOTE:** For **painted parts**, please refer to the list of color codes below. Please add the applicable color code, wherever needed, to the part number to order a replacement part. For instance, if a part numbered 700-xxxx is painted Oyster Gray, the part number to order would be 700-xxxx-0662.

Black — 0691; Black, Powder — 0637; Blue, Midnight — 0667; Charcoal — 0483; Grey — 0648;  
 Grey, Oyster — 0662; Orange — 0606; Red — 0650; Red, MTD — 0638; Silver — 0629; Yellow — 0674.

# Model Series 410 thru 420



## Model Series 410 thru 420

Ref. No.	Part No.	Part Description	Ref. No.	Part No.	Part Description
1.	710-1017	Hex Screw 1/4-20 x .625	20.	712-3004A	Flange Lock Nut 5/16-18
2.	786-0101B	Shift Cover	21.	710-1090	Flange Screw 5/16-18 x 1.25
3.	686-0095	Crank Shift Assembly	22.	686-0031A	Belt Keeper Bracket Ass'y
4.	712-3004A	Hex Lock Nut 5/16-18	23.	736-0119	Lock Washer 5/16
5.	715-0120	Spiral Pin	24.	710-0237	Hex Cap Screw 5/16-24 x .625
6.	786-0117	Shift Cover Mounting Bracket	25.	756-0971	Inner Pulley Half
7.	710-3008	Hex Cap Screw 5/16-18 x .75	26.	756-0972	Outer Pulley Half
8.	712-3010	Hex Nut 5/16-18	27.	754-0438	V-Belt
9.	736-0242	Bell Washer .340 ID x .872 OD	28.	756-0405	Flat Idler
10.	710-3180	Hex Cap Screw 5/16-18 x 1.75	29.	738-0899	Bolt 5/16-18 x 1/4-28 x 2.35
11.	710-1007	Hex Washer Screw 3/8-16 x 1.5	30.	736-0256	Flat Washer .635 ID x .930 OD
12.	619-0009	Frame Counterweight	31.	756-0634	Flat Pulley
13.	642-0015	Tine Assembly - LH	32.	736-0105	Spring Washer .401 ID x .870 OD
	642-0016	Tine Assembly - RH	33.	712-0379	Flange Lock Nut 3/8-24
14.	711-0415	Clevis Pin	34.	736-0452	Bell Washer .396 ID x 1.140 OD
15.	714-0149B	Cotter Pin	35.	710-0152	Hex Cap Screw 3/8-24 x 1.0
16.	634-0110	Complete Wheel Ass'y - RH (14")	36.	786-0080	Idler Bracket
	634-0111	Complete Wheel Ass'y - LH (14")	37.	710-0723	Hex Cap Screw 3/8-16 x 1.25
	634-0106	Complete Wheel Ass'y - RH (16")	38.	738-0876	Shoulder Nut 7/16-20
	634-0107	Complete Wheel Ass'y - LH (16")	39.	736-3020	Flat Washer .271 ID x .630 OD
17.	711-1017	Clevis Pin	40.	786-0100	Belt Cover
18.	714-0104	Cotter Pin	41.	712-0392	Hex Lock Nut 1/4
19.	734-1796	Tine Only (14")	42.	786-0107	Cable Bracket
	734-0808	Tine Only (16")	43.	686-0094	Gear Case Assembly

**IMPORTANT:** For a proper working machine, use Factory Approved Parts.

**V-BELTS** are specially designed to engage and disengage safely. A substitute (non OEM) V-Belt can be dangerous by not disengaging completely.