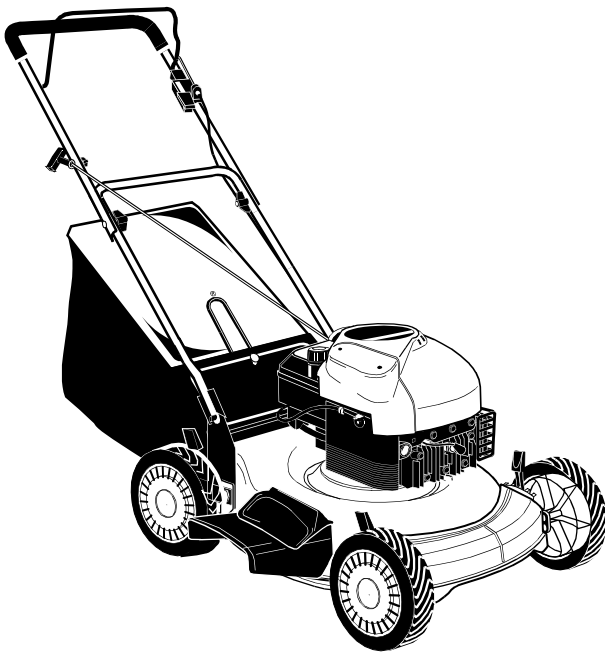




Illustrated Parts List



21" Rear & Side Discharge Mulching Mower

Model 439

IMPORTANT: Read safety rules and instructions carefully before operating equipment.

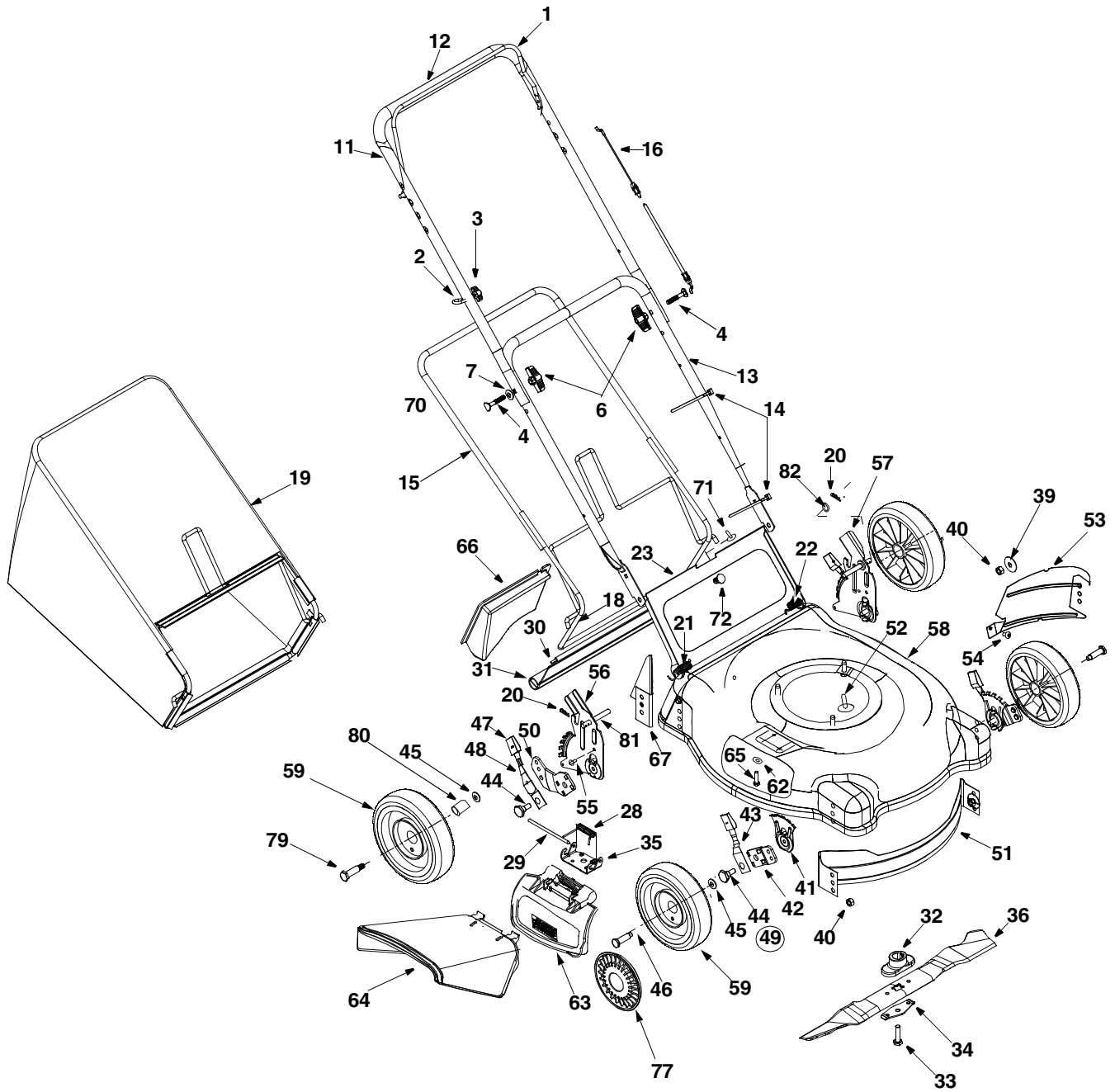
Warning: This unit is equipped with an internal combustion engine and should not be used on or near any unimproved forest-covered, brush-covered or grass-covered land unless the engine's exhaust system is equipped with a spark arrester meeting applicable local or state laws (if any). If a spark arrester is used, it should be maintained in effective working order by the operator. In the State of California the above is required by law (Section 4442 of the California Public Resources Code). Other states may have similar laws. Federal laws apply on federal lands. A spark arrester for the muffler is available through your nearest engine authorized service dealer or contact the service department, P.O. Box 361131 Cleveland, Ohio 44136-0019.

MTD LLC, P.O. BOX 361131 CLEVELAND, OHIO 44136-0019

PRINTED IN U.S.A.

FORM NO. 769-00671
(2/2003)

SECTION 10: PARTS LIST FOR MODEL 439



Model 439

Ref. No.	Part No.	Description	Ref. No.	Part No.	Description
1	747-1161A	Control Handle	46	738-0102	Front Axle Bolt
2	710-1205	Rope Guide	47	720-0426	Spring Lever Knob
3	720-0279	Handle Knob 1/4-20 Thd.	48	732-0404	Rear Spring Lever
4	710-1174	Carriage Bolt 5/16-18 x 2"	49	14578	Height Adj. Assy. Comp. - RH
6	720-0284	Hand Knob	N/I	14579	Height Adj. Assy. Comp. - LH
7	736-0451	Saddle Washer	50	14765	Pivot Bar R.H.
11	749-1092A	Upper Handle	N/I	14766	Pivot Bar L.H.
13	749-0928A	Lower Handle	51	782-5002A	Front Baffle
14	726-0240	Cable Tie	52	710-0654A	Hex L-Wash.Scr. 3/8-16 x 1"
15	764-0310	Rear Catcher Frame	53	782-5003	Rear Baffle
16	746-1130	Control Cable - 40"	54	710-1017	Torx Mach AB-Tap Scr. 1/4 x.62"
18	764-0311	Front Catcher Frame	55	710-0896	HexIndWash. Scr. 1/4-14:.625
19	664-04020	Grass Bag Assembly	56	682-0516A	Handle Brkt. Ass'y.—RH
20	714-0104	Int. Cotter Pin 5/16" Dia.	57	682-0515A	Handle Brkt. Ass'y.—LH
21	732-0678	Door Spring - R.H.	58	787-01104	Cutting Deck
22	732-0677	Door Spring - L.H.	59	734-2005A	Wheel Assembly
23	682-0005B	Rear Discharge Door	62	736-0270	Bell Washer 1/4" I.D.
28	732-0731	Torsion Spring	63	682-02055	Hinged Mulching Plug
29	747-0710	Hinge Pin	64	731-04177	Chute Deflector: Side Discharge
30	732-0700	Wire Rod	65	710-0599	Hex Hd Self-Tp Scr. 1/4-20 x .5"
31	731-1236	Rear Flap	66	782-5007A	Mulching Baffle Plug
32	753-0588	Blade Adapter Kit (includes 32-34)	67	782-5004A	Mulching Baffle - R.R.
33	710-1044	Hex Bolt 3/8-24 x 1.5" Lg.	68	710-0286	Pan Hd. Mach. Scr. 1/4-20:.5" Lg.
34	736-0524A	Blade Bell Support	69	712-0324	Hx. Nylon L-Nut - 1/4-20 Thread
35	782-7006	Mounting Bracket	71	710-0192	Mach. Screw #10-24 x 0.375"
36	742-0741	21" Mulching Blade	72	720-0275	Knob
40	712-0431	Flange Nut 3/8-16 Thd.	76	736-0105	Bell Washer
41	15261A	Height Adj. Plate	77	731-1426	Hub-Cap- Rad. Spoke- Yellow
42	15262B	Pivot Bar	79	738-0213	Rear Axle Bolt
43	14832	Front Spring Lever Ass'y. w/Knob	80	750-0535	Spacer
44	738-0507B	Shld. Bolt .5" Dia. x .357"	81	710-1248	Weld Pin
45	736-0105	Bell Washer .38" I.D. x .88" O.D.	82	736-0140	Flat Washer

NOTE: For **painted parts**, please refer to the list of color codes below. Please add the applicable color code, wherever needed, to the part number to order a replacement part. For instance, if a part numbered 700-xxxx is painted Yard-Man Green, the part number to order would be 700-xxxx-0665.

Yard-Man Green: 0665;
Powder Black: 0637