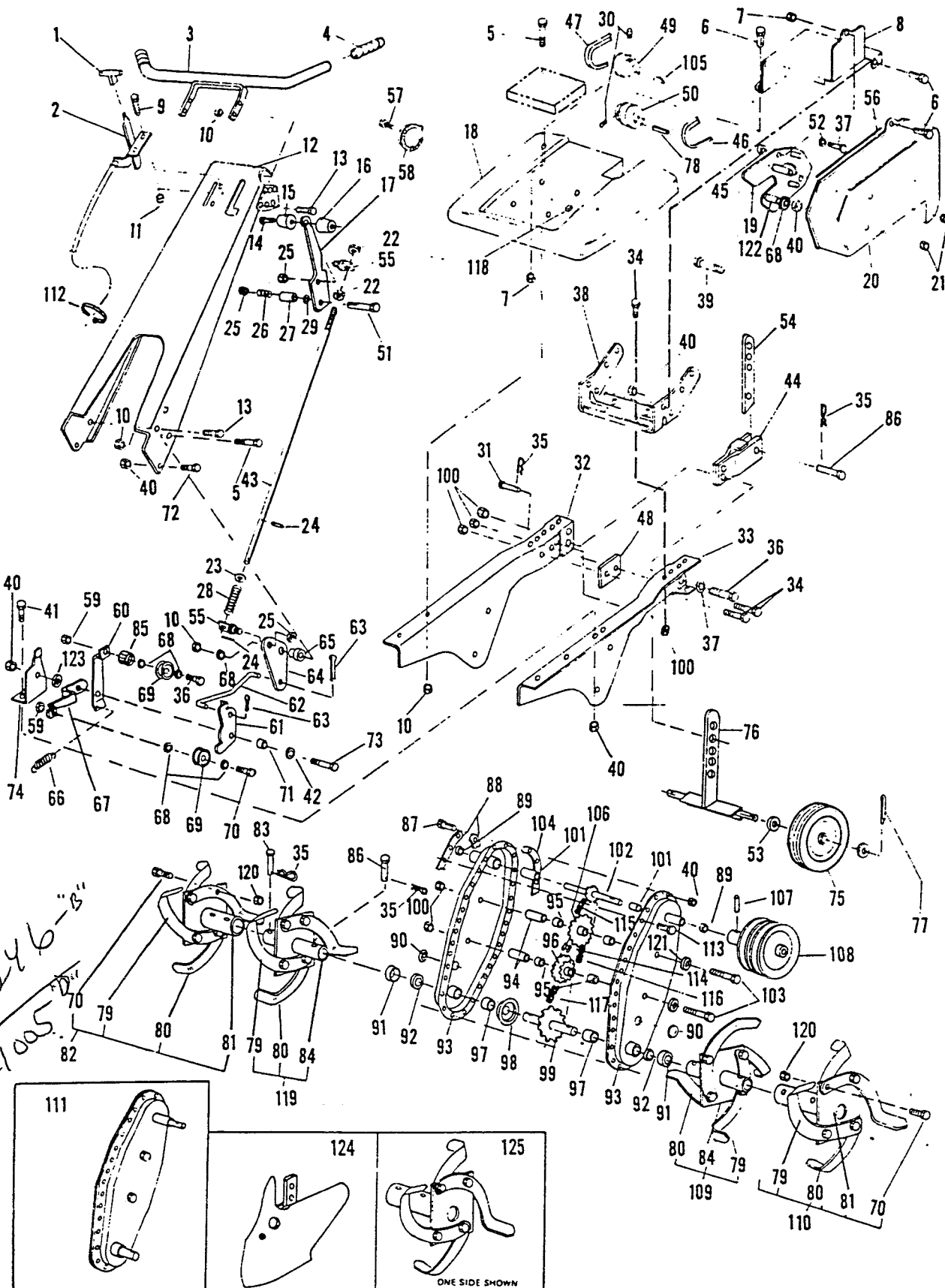


5 HP Chain Drive Tiller with Reverse

see left - 44-03365B
511386 - 23-5100D
511212 - 23-5101D



5 HP Chain Drive Tiller with Reverse

**44-03365B
23-5100D
23-5101D**

Ref. No.	Part No.	Description	Ref. No.	Part No.	Description
1	744037	Knob—Throttle Control	65	468066	Spacer—Bellcrank
2	781419	Control—Throttle w/Cable	66	776807	Spring—Idler Return
3	731216	Handle Bar Assembly	67	778415	Arm—Forward Idler
4	751032	Grip—Handle	68	461731	Washer—Flat
5	150250	Bolt—Hex 5/16-18 x 1-1/2	69	420745	Idler Pulley Assembly
6	152660	Bolt—1/4-20 x 1/2	70	715326	Bolt—3/8-16 x 1 Hex
7	715037	Nut—1/4-20 Keps	71	467829	Spacer
8	570333	Cover—Handle	72	449587	Bolt—1/4-20 x 5/8
9	458687	Screw—10-24 x 1/2 Hex	73	459909	Bolt—Hex Hd. 1/4-20 x 1
10	715490	Nut—5/16-18 Locking	74	771006	Bracket—Idler Mounting
11	715334	Nut—10-24 Hex Keps	75	497826	Wheel—10 x 1.75 x 1/2
12	570689	Handle Panel Assembly	76	773085	Wheel Bracket Assembly
13	450437	Bolt—Hex 5/8-18 x 5/8	77	317016	Pin—Cotter 1/8 x 1
14	458661	Bolt—Phillips 10-24 x 1-1/4	78	446757	Key—3/16 Sq. x 2
15	744086	Knob—Plain	* 79	786475	Tine—Bolo, L.H.
16	744094	Knob—Threaded 10-24	* 80	786699	Tine—Bolo, R.H.
17	422212	Lever Engagement	81	788117	Hub Assembly—Outer
18	570374	Tine Hood Assembly	* 82	570390	Tine Assembly—R.H. Outer
19	464180	Plate Assembly—Belt Guide	83	488825	Pin—Clevis 3/8 x 2
20	570556	Guard—Belt	84	788133	Hub Assembly—Inner
21	715078	Nut—1/4-20 Whizlock Flange	85	468652	Spacer
22	452425	Nut—5/16-18 Hex	86	489823	Pin—Clevis 3/8 x 1-5/8
23	715185	Washer—Flat 5/16	87	715052	Bolt—1/4-20 x 1/2 Hex
24	489393	Pin—Roll 1/8 x 3/4	88	426015	Strap—Nut Plate
25	451419	Nut—1/4-20 Flange	89	774695	Seal—Input Shaft
26	775072	Spring—Engagement Lever	90	426379	Plug—Plastic
27	468801	Spacer—Belt Guide	91	762245	Cover—Tine Hub Seal
28	775080	Spring—Engagement Rod	92	774547	Seal—Output Shaft
29	715607	Washer—Belleville	93	432260	Transmission, Half w/bearings
30	458844	Set Screw—Pulley	94	432922	Sleeve—Bearing
31	488940	Pin Clevis 1/2 x 1-1/4	95	423434	Bearing—Sprocket
32	446955	Beam—Main Support R.H.	96	590000	Sprocket—Lower w/bearings
33	446930	Beam—Main Support L.H.	97	423731	Bearing—Output Shaft
34	458968	Bolt—Whizlock 3/8-16 x 1	98	468033	Spacer—Tine Shaft
35	715011	Hairpin Cotter	99	417501	Shaft—Output w/Sprocket
36	457176	Bolt—Hex Hd. 3/8-16 x 1-1/4	100	715441	Nut—Twin Whizlock 3/8-16
37	150433	Bolt—Hex 1/4-20 x 2	101	423442	Bearing—Input Shaft
38	447011	Channel—Handle Support	102	417469	Shaft—Input w/Sprocket
39	450007	Bolt 1/4-20 x 3-1/4	103	458927	Bolt—Hex 3/8-16 x 2-3/4
40	715508	Nut—Hex 1/4-20 Locking	104	555151	Gasket—Transmission Housing
41	715045	Bolt—Hex 1/4-20 x 3/4	105	446773	Key—Woodruff
42	462762	Washer	106	590018	Sprocket—Upper w/Bearings
43	783985	Rod—Engagement Lever	107	314062	Pin—Roll 1/4 x 1-1/8
44	772954	Drag Bracket	108	420919	Pulley Assembly—2 Groove
45	468678	Spacer	* 109	570408	Tine Assembly—L.H. Inner
46	421321	Belt—Forward	* 110	570416	Tine Assembly—L.H. Outer
47	421339	Belt—Reverse	111	432310	Transmission Assembly
48	468058	Spacer—Main Support Beam	112	110379	Cable Tie
49	420927	Reverse Pulley	113	153601	Bolt—Hex 1/4-20 x 3/4 Whiz
50	420935	Forward Pulley	114	425124	Master Link No. 420
51	450379	Bolt—1/4-20 x 1-3/4	115	425314	Chain—Roller No. 35
52	715094	Washer—Lock	116	425421	Chain—Roller No. 420
53	461749	Washer—Wheel	117	425348	Chain—Roller No. 50
54	435032	Depth Bar	118	446799	Protective Pad
55	152876	Stud—Lever	* 119	570382	Tine Assembly—R.H. Inner
56	447177	Rubber Strip	120	310011	Nut 3/8-16 Center Lock
57	120048	Screw—Muffler Deflector	121	461780	Washer—3/8 T-Lock
58	132142	Deflector—Muffler	122	468686	Spacer—Belt Guide
59	715524	Nut—3/8-16 Center Lock Jam	123	152553	Washer—Thrust 1/2 ID
60	778431	Arm—Reverse	Optional Accessories		
61	463323	Plate—Idler Pivot	124	465823	Furrowing Kit
62	783399	Rod—Control Idler	125	785785	Tine Extension Kit
63	715029	Pin—Cotter 3/32 x 3/4			
64	464123	Bellcrank—Control Plate			

23-5101D Only

79	786756	Tine, Slasher, LH
80	786764	Tine, Slasher, RH
82	786749	Tine, Assembly, RH Outer
109	786665	Tine Assembly, LH Inner
110	786723	Tine Assembly, LH Outer
119	786749	Tine Assembly, RH Inner