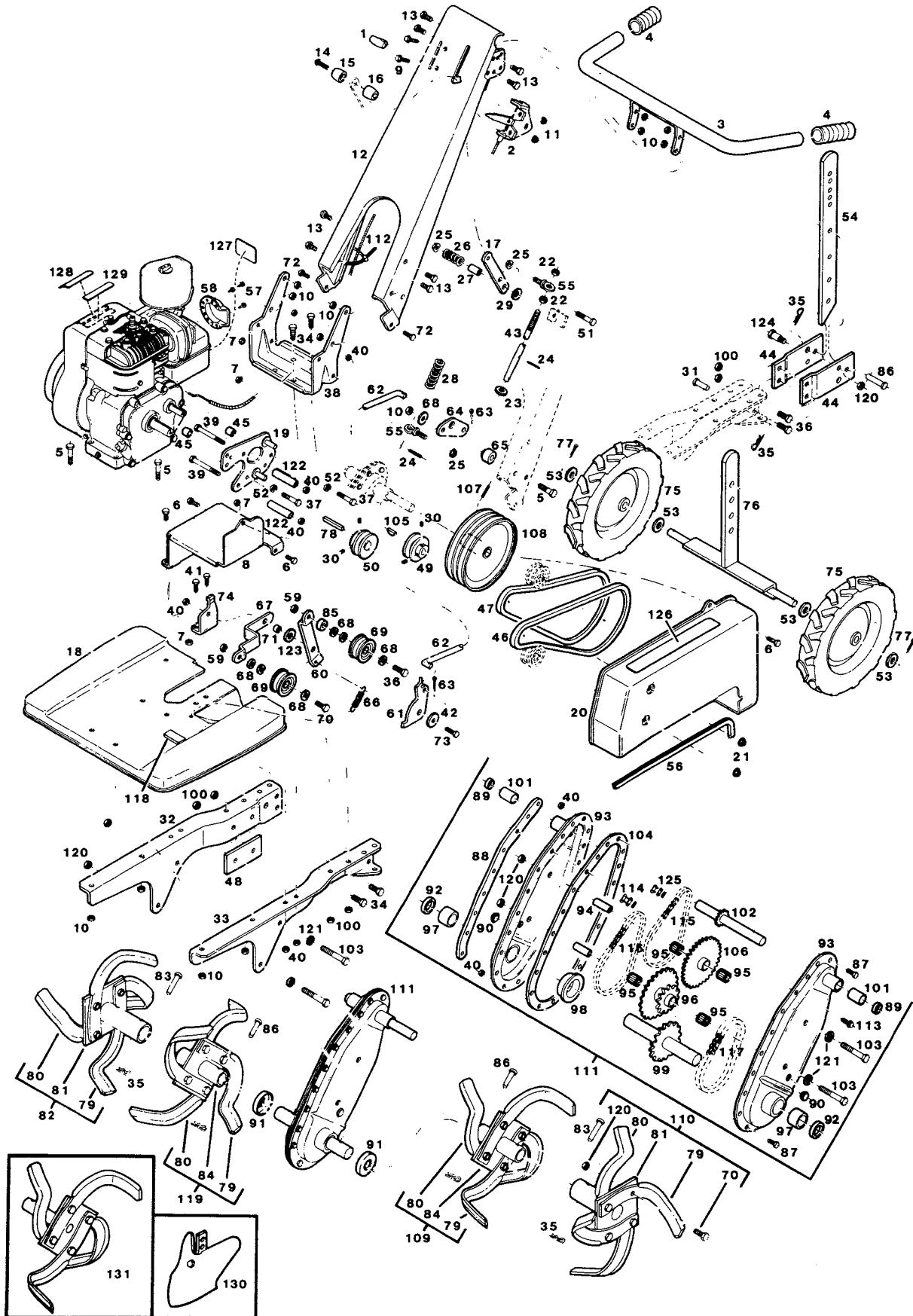


5 HP Chain Drive Tiller  
Model: 44-03365F



**5 HP Chain Drive Tiller  
Model: 44-03365**

| Ref. No. | Part No. | Description                     | Ref. No. | Part No. | Description                   |
|----------|----------|---------------------------------|----------|----------|-------------------------------|
| 1        | 744037   | Knob—Throttle Control           | 65       | 468066   | Spacer—Bellcrank              |
| 2        | 781419   | Control—Throttle w/Cable        | 66       | 776807   | Spring—Idler Return           |
| 3        | 590943   | Handle Bar Assembly             | 67       | 778415   | Arm—Forward Idler             |
| 4        | 751032   | Grip—Handle                     | 68       | 461731   | Washer—Flat                   |
| 5        | 150250   | Bolt—Hex 5/16-18 x 1-1/2        | 69       | 420745   | Pulley—Idler Assembly         |
| 6        | 152660   | Bolt—1/4-20 x 1/2               | 70       | 715326   | Bolt—3/8-16 x 1 Hex           |
| 7        | 715037   | Nut—1/4-20 Keps                 | 71       | 467829   | Spacer—Pivot Plate            |
| 8        | 570333   | Cover—Handle                    | 72       | 449587   | Bolt—Hex 1/4-20 x 5/8         |
| 9        | 458687   | Screw—Hex 10-24 x 1/2           | 73       | 459909   | Bolt—Hex Hd. 1/4-20 x 1       |
| 10       | 715490   | Nut—Hex 5/16-18                 | 74       | 771006   | Bracket—Idler Mounting        |
| 11       | 715334   | Nut—Hex 10-24                   | 75       | 497826   | Wheel—10 x 1.75 x 1/2         |
| 12       | 574426   | Handle Panel Assembly           | 76       | 773085   | Wheel Bracket Assembly        |
| 13       | 450437   | Bolt—Hex 5/16-18 x 5/8          | 77       | 317016   | Pin—Cotter 1/8 x 1            |
| 14       | 458661   | Bolt—Phillips 10-24 x 1-1/4     | 78       | 446757   | Key—Pulley                    |
| 15       | 744086   | Knob—Plain                      | 79       | 786475   | Tine—Bolo, L.H.               |
| 16       | 744094   | Knob—Threaded 10-24             | 80       | 786699   | Tine—Bolo, R.H.               |
| 17       | 422212   | Lever Engagement                | 81       | 788117   | Hub Assembly—Outer            |
| 18       | 570374   | Tine Hood Assembly              | 82       | 570390   | Tine Assembly—R.H. Outer      |
| 19       | 464180   | Plate Assembly—Belt Guide       | 83       | 488825   | Pin—Clevis 3/8 x 2            |
| 20       | 570556   | Guard—Belt                      | 84       | 788133   | Hub Assembly—Inner            |
| 21       | 715078   | Nut—Hex 1/4-20 Whiz             | 85       | 468652   | Spacer                        |
| 22       | 452425   | Nut—Hex 5/16-18                 | 86       | 489823   | Pin—Clevis 3/8 x 1-5/8        |
| 23       | 715185   | Washer—Flat 5/16                | 87       | 715052   | Bolt—Hex 1/4-20 x 1/2         |
| 24       | 489393   | Pin—Roll 1/8 x 3/4              | 88       | 426015   | Strap—Nut Plate               |
| 25       | 451419   | Nut—Hex 1/4-20 Flange           | 89       | 774695   | Seal—Input Shaft              |
| 26       | 775072   | Spring—Engagement Lever         | 90       | 426379   | Plug—Plastic                  |
| 27       | 468801   | Spacer—Spring                   | 91       | 762245   | Cover—Tine Hub Seal           |
| 28       | 775080   | Spring—Engagement Rod           | 92       | 774547   | Seal—Output Shaft             |
| 29       | 715607   | Washer—Belleville               | 93       | 432260   | Transmission, Half w/bearings |
| 30       | 458844   | Set Screw—Pulley                | 94       | 432922   | Sleeve—Bearing                |
| 31       | 488940   | Pin Clevis 1/2 x 1-1/4          | 95       | 423434   | Bearing—Sprocket              |
| 32       | 446955   | Beam—Main Support R.H.          | 96       | 590000   | Sprocket—Lower w/bearings     |
| 33       | 446930   | Beam—Main Support L.H.          | 97       | 423731   | Bearing—Output Shaft          |
| 34       | 458968   | Bolt—Hex 3/8-16 x 1             | 98       | 468033   | Spacer—Tine Shaft             |
| 35       | 715011   | Hairpin Cotter                  | 99       | 417501   | Shaft—Output w/Sprocket       |
| 36       | 457176   | Bolt—Hex Hd. 3/8-16 x 1-1/4     | 100      | 715441   | Nut—Keps 3/8-16               |
| 37       | 150433   | Bolt—Hex 1/4-20 x 2             | 101      | 423442   | Bearing—Input Shaft           |
| 38       | 447011   | Channel—Handle Support          | 102      | 417469   | Shaft—Input w/Sprocket        |
| 39       | 450007   | Bolt 1/4-20 x 3-1/4             | 103      | 458927   | Bolt—Hex 3/8-16 x 2-3/4       |
| 40       | 715508   | Nut—Hex 1/4-20 Locking          | 104      | 555151   | Gasket—Transmission Housing   |
| 41       | 715045   | Bolt—Hex 1/4-20 x 3/4           | 105      | 446773   | Key—Woodruff                  |
| 42       | 462762   | Washer—Flat 1-1/8 x .327 x .060 | 106      | 590018   | Sprocket—Upper w/Bearings     |
| 43       | 783985   | Rod—Engagement Lever            | 107      | 314062   | Pin—Roll 1/4 x 1-1/8          |
| 44       | 571232   | Plate—Drag Bar                  | 108      | 420919   | Pulley Assembly—2 Groove      |
| 45       | 468678   | Spacer                          | 109      | 570408   | Tine Assembly—L.H. Inner      |
| 46       | 421321   | Belt—Forward                    | 110      | 570416   | Tine Assembly—L.H. Outer      |
| 47       | 421339   | Belt—Reverse                    | 111      | 432310   | Transmission Assembly         |
| 48       | 468058   | Spacer—Main Support Beam        | 112      | 110379   | Cable Tie                     |
| 49       | 420927   | Reverse Pulley                  | 113      | 153601   | Bolt—Hex 1/4-20 x 3/4         |
| 50       | 420935   | Forward Pulley                  | 114      | 425124   | Master Link No. 420           |
| 51       | 450379   | Bolt—1/4-20 x 1-3/4             | 115      | 425314   | Chain—Roller No. 35           |
| 52       | 715094   | Washer—Lock                     | 116      | 425421   | Chain—Roller No. 420          |
| 53       | 461749   | Washer—Wheel                    | 117      | 425348   | Chain—Roller No. 50           |
| 54       | 435032   | Bar—Depth                       | 118      | 446799   | Protective Pad                |
| 55       | 152876   | Stud—Lever                      | 119      | 570382   | Tine Assembly—R.H. Inner      |
| 56       | 447177   | Rubber Strip                    | 120      | 715086   | Nut 3/8-16 Top Lock           |
| 57       | 120048   | Screw—Muffler Deflector         | 121      | 461780   | Washer-3/8 T-Lock             |
| 58       | 132142   | Deflector—Muffler               | 122      | 468686   | Spacer—Belt Guide             |
| 59       | 715524   | Nut—Hex 3/8-16 Jam              | 123      | 152553   | Washer—Thrust 1/2 ID x .032   |
| 60       | 778431   | Arm—Reverse                     |          |          | Hardened                      |
| 61       | 463323   | Plate—Idler Pivot               | 124      | 153650   | Bolt Shoulder                 |
| 62       | 783399   | Rod—Control Idler               | 125      | 424903   | Master Link No. 35            |
| 63       | 715029   | Pin—Cotter 3/32 x 3/4           | 126      | 551648   | Decal—Caution                 |
| 64       | 464123   | Bellcrank—Control Plate         | 127      | 551655   | Decal—Tine Warning            |
|          |          |                                 | 128      | 551713   | Decal—Hand Placement          |
|          |          |                                 | 129      | 551846   | Decal—Caution Disengage       |

**Optional Accessories**

|     |        |                    |
|-----|--------|--------------------|
| 130 | 465823 | Furrowing Kit      |
| 131 | 785785 | Tine Extension Kit |