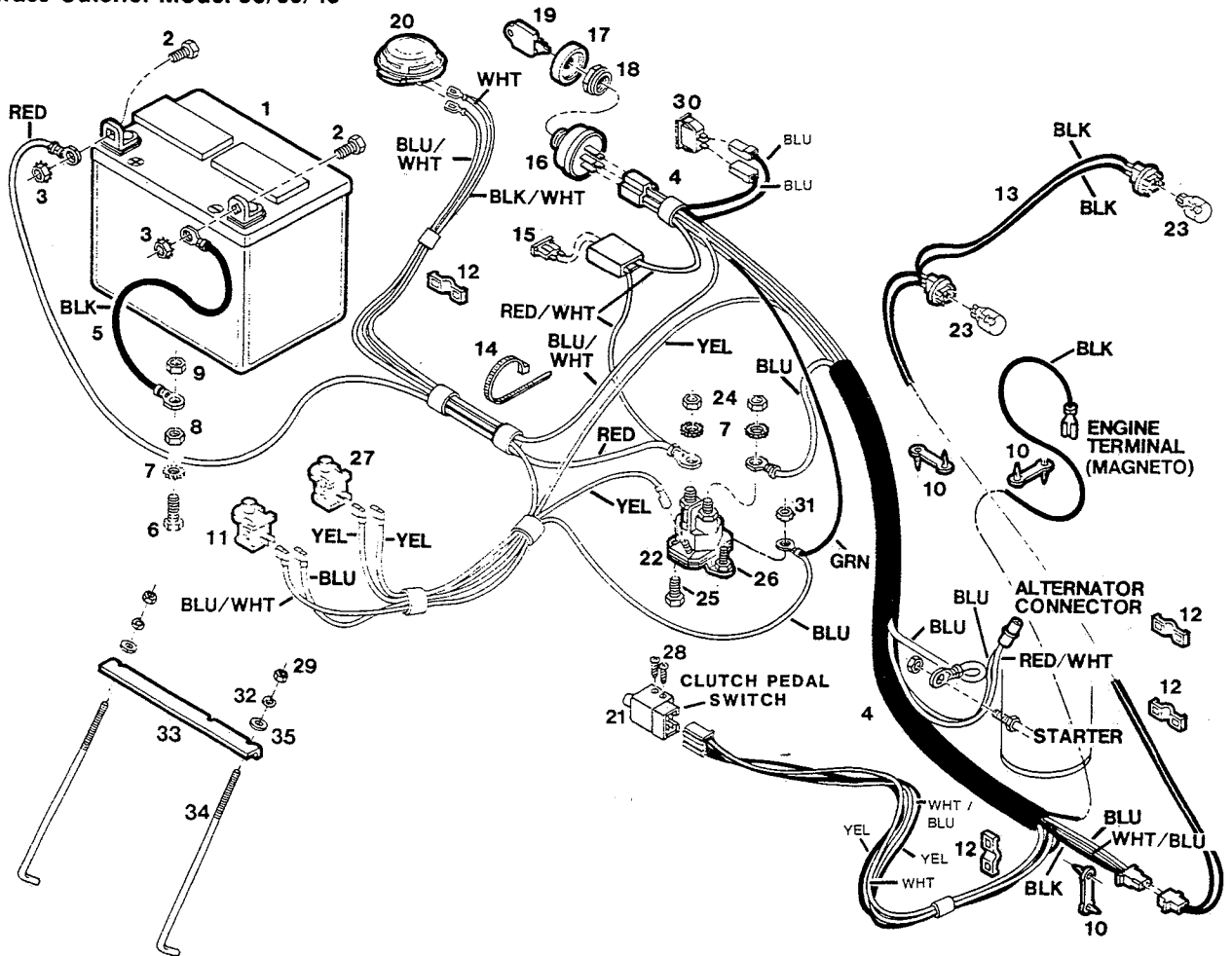


**MODEL 440M**  
**12.5 hp 39" Cut Riding Mower**  
**Uses Grass Catcher Model 36/39/45**

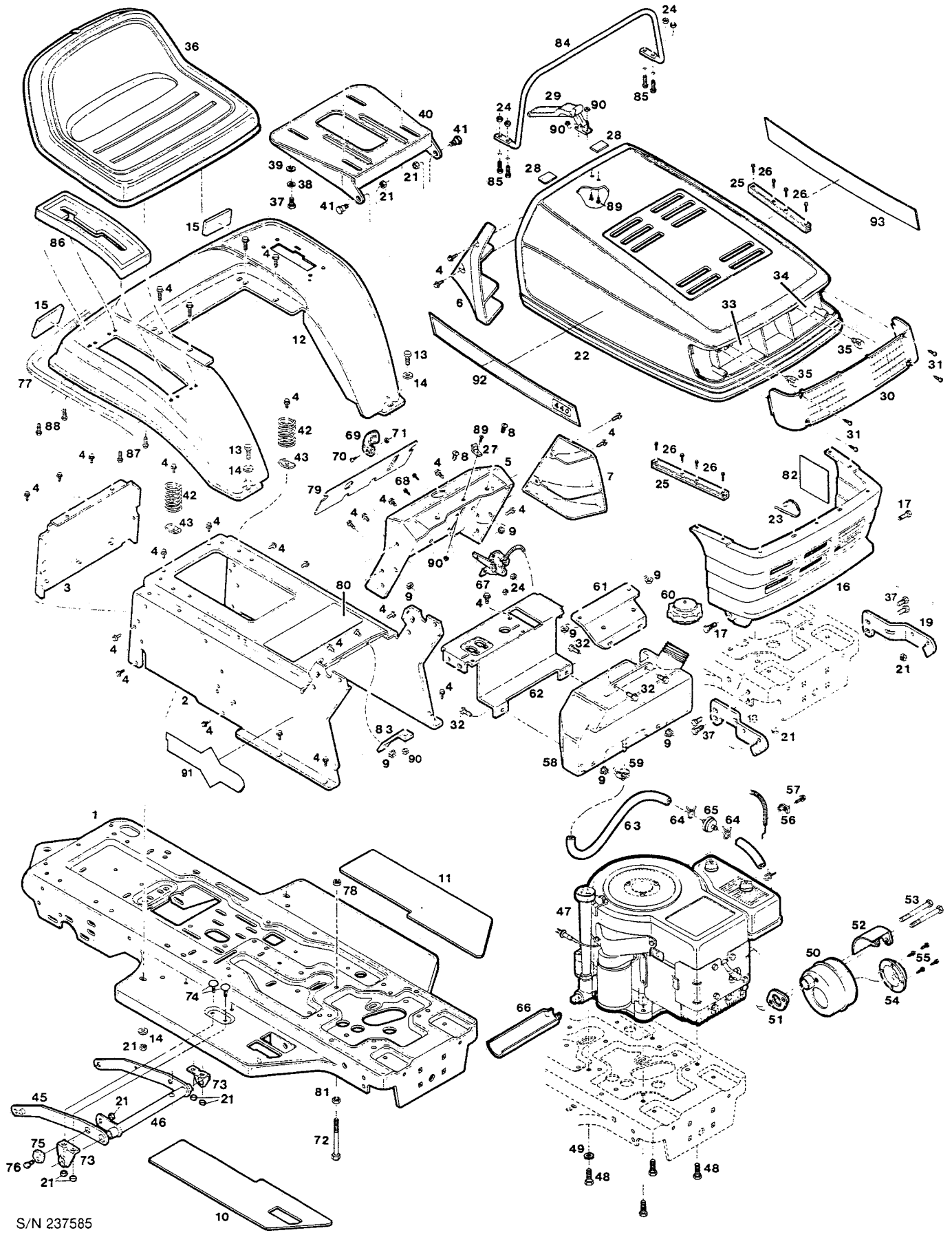


## ELECTRICAL SYSTEM

Index No.	Part No.	Description	Index No.	Part No.	Description
1	138735	Battery - 12 volt, dry	19	136242	Key - ignition
2	449587	Bolt - 1/4-20 x 5/8 hex hd.	20	138985	Switch - seat
3	715037	Nut - 1/4-20 hex keps	21	138925	Switch - clutch no-start
4	138986	Harness - wire	22	134940	Solenoid - starter
5	134908	Wire - ground	23	135533	Bulb - headlight
6	152108	Bolt - 5/16-18 x 1 hex hd.	24	157974	Nut - 5/16-24 hex
7	152975	Washer - 5/16 ext. tooth lock	25	158121	Bolt - 1/4-20 x 3/4 hex head
8	616342	Nut - 5/16-18 center lock	26	616375	Nut - 1/4-20 hex center lock
9	310151	Nut - 5/16-18 nylok	27	138776	Switch - neutral start
10	112326	Retainer - wire	28	157933	Screw - pan head #12
11	138750	Switch - interlock	29	310052	Nut - hex 1/4-20
12	134676	Clip - wire, press on	30	135814	Switch - headlight
13	136945	Harness - headlight	31	452615	Nut - hex 1/4-20 nylok
14	110379	Tie - nylon cable	32	715094	Washer - split lock 1/4
15		Fuse - 15 amp (purchase locally)	33	095687	Bracket - battery hold-down
16	135798	Switch - ignition w/o keys	34	095695	Rod - battery hold-down
17	112698	Boot - ignition switch	35	615690	Washer - flat 1/4
18	158717	Nut - 5/8-32 ignition switch			

S/N 237585  
P/L 082703  
O/M 082702  
E/M 188953

**MODEL 440M**  
**12.5 hp 39" Cut Riding Mower**  
**Uses Grass Catcher Model 36/39/45**



S/N 237585  
P/L 082703  
O/M 082702  
E/M 188953

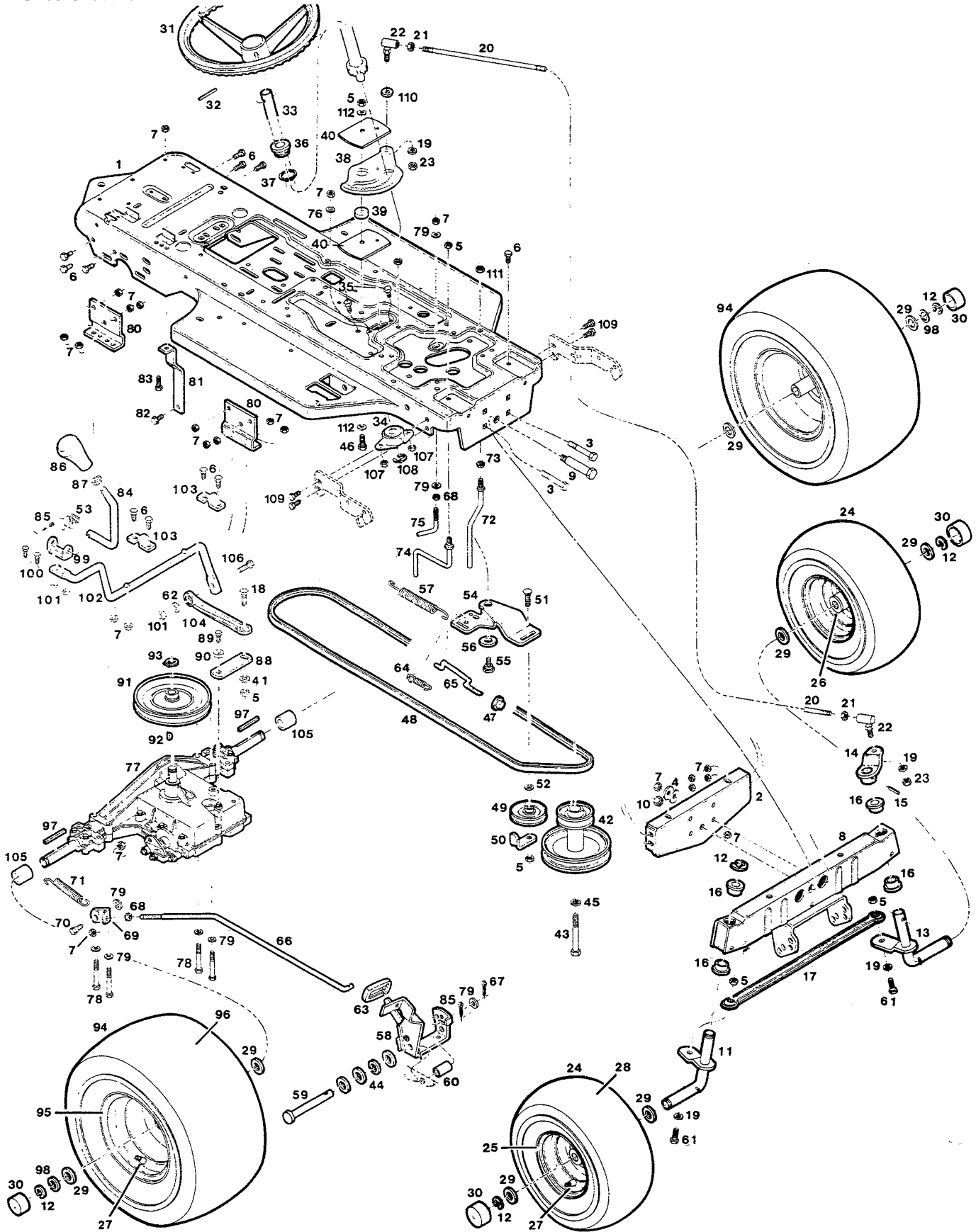
# MAIN FRAME

Index No.	Part No.	Description	Index No.	Part No.	Description
1	023757	Frame - main	50	136523	Muffler - exhaust
2	017459	Console - chassis	51	134692	Gasket - muffler
3	013250	Plate - console rear	52	096263	Shield - heat
4	158089	Screw - taptite 1/4-20 x 1/2	53	312165	Bolt - hex 5/16-18 x 3-1/2
5	023036	Dash panel	54	174797	Deflector - exhaust
6	113647	Extension - dash RH	55	158527	Screw - hex #8-32 x 3/8
7	113167	Extension - dash LH	56	159269	Clamp - throttle cable
8	715458	Screw - slot hd 1/4-20 x 1/2	57	159277	Screw - cable clamp
9	452615	Nut - hex 1/4-20 nylok	58	115071	Tank - fuel
10	113092	Pad - foot RH platform	59	162404	Clamp - fuel line
11	113084	Pad - foot LH platform	60	115473	Cap - fuel tank
12	023690	Fender - rear wheel	61	017889	Bracket - fuel tank
13	152108	Bolt - hex 5/16-18 x 1	62	017442	Bracket - fuel tank
14	158469	Washer - flat 5/16	63	137745	Hose - fuel line
15	114850	Reflector - rear, red	64	303859	Clamp - fuel line
16	113142	Hood - lower	65	432625	Filter - fuel
17	162057	Bolt - shoulder 5/16-18 x 1	66	112805	Trough - oil drain
18	085399	Support - hood RH	67	052720	Lever - throttle w/cable
19	085381	Support - hood LH	68	158451	Screw - taptite #10-24 x 5/8
20	450437	Bolt - hex 5/16-18 x 5/8	69	112730	Knob - throttle lever
21	310151	Nut - hex 5/16-18 nylok	70	159335	Screw - pan head #8-32 x 3/8
22	115105	Hood - upper	71	159244	Nut - hex #8-32
23	110379	Strap - tie	72	158584	Bolt - hex 3/8-16 x 7-1/2
24	452318	Nut - hex nylok #10-24	73	023614	Bracket - hanger
25	015297	Strip - hood sides	74	313502	Bolt - rd head 5/16-18 x 1
26	151118	Screw - taptite #10-24 x 1/2	75	158691	Nut - eccentric, deck leveling
27	115147	Keeper - hood latch	76	156968	Bolt - hex 5/16-18 x 1-1/4
28	446799	Pad - hood	77	112318	Strip - fender trim
29	115139	Latch - hood	78	715524	Nut - hex jam 3/8-16 lock
30	115253	Lens - headlights	79	796102	Decal - dash, OPERATION
31	158865	Screw - taptite #6 x 1/2	80	009589	Decal - console, DANGER
32	450858	Screw - hex tap 1/4-20 x 3/4	81	310011	Nut - hex 3/8-16 center lock
33	797696	Reflector - headlight RH	82	006874	Decal - heat reflective
34	797704	Reflector - headlight LH	83	018044	Brace - fuel tank
35	135533	Bulb - headlight	84	174938	Support - hood
36	115457	Seat	85	159400	Screw - hex taptite #10-24 x 1
37	450346	Bolt - hex 5/16-18 x 3/4	86	086793	Guide - shift lever w/decals
38	311118	Washer - split lock 5/16	87	158840	Screw - taptite #10-24 x 3/4
39	715185	Washer - flat 5/16	88	158832	Screw - taptite #10-24 x 1/2
40	013888	Plate - seat mount	89	459925	Screw - phil. head #8-32 x 3/8
41	157503	Bolt - shoulder 5/16-18 x 5/32	90	452102	Nut - hex keps #8-32
42	135632	Spring - seat	91	798835	Logo - plastic 12.5-39
43	097386	Clamp - seat spring	92	799779	Decal - hood side RH
44	023606	Link - suspension RH	93	799780	Decal - hood side LH
45	023598	Suspension assembly LH	--	392043	Hitch Extension Kit
46	.	Engine - 12.5 HP			
47	.	Engine - 12.5 HP			
48	158014	Bolt - hex tap 3/8-16 x 1-1/4			
49	153551	Washer - ext tooth lock 3/8			

\*Contact engine manufacturer's authorized service dealer for parts and warranty.

S/N 237585  
P/L 082703  
O/M 082702  
E/M 188953

**MODEL 440M**  
**12.5 hp 39" Cut Riding Mower**  
**Uses Grass Catcher Model 36/39/45**



S/N 237585  
P/L 082703  
O/M 082702  
E/M 188953

# CHASSIS

**MODEL 440M**  
**12.5 hp 39" Cut Riding Mower**  
**Uses Grass Catcher Model 36/39/45**

Index No.	Part No.	Description	Index No.	Part No.	Description
1	023757	Frame - main	59	089912	Shaft - pedal
2	019224	Bracket - front axle	60	095332	Spacer - pedal
3	164707	Bolt - shoulder 5/16-18 x 2-1/2	61	159020	Bolt - hex 3/8-16 x 1-1/2
4	462762	Washer - flat 5/16	62	615690	Washer - flat 1/4
5	451195	Nut - hex 3/8-16 nylok	63	135566	Pad - pedal
6	450437	Bolt - hex 5/16-18 x 5/8	64	158592	Spring - pedal return
7	310151	Nut - hex 5/16-18 nylok	65	096719	Rod - clutch
8	023523	Axle - front	66	179358	Rod - brake
9	380485	Bolt - shoulder 1/2-20 x 2-5/8	67	715029	Pin - cotter 3/32 x 3/4
10	158428	Nut - hex 1/2-20 ctr. lock	68	150136	Nut - hex keps 5/16-18
11	022533	Spindle - steering RH	69	096867	Bracket - brake rod
12	316513	Ring - retainer	70	157503	Bolt - shoulder 5/16-18 x 11/16
13	022541	Spindle - steering LH	71	109637	Spring - brake return
14	023432	Arm - steering	72	096644	Guide - belt
15	314088	Pin - roll 1/4 x 1-1/4	73	451500	Nut - hex keps 3/8-16
16	135673	Bearing - spindle	74	097808	Guide - belt
17	172486	Rod - tie, steering	75	096669	Guide - belt
18	457176	Bolt - hex 3/8-16 x 1-1/4	76	158212	Washer - flat
19	150185	Washer - lock 3/8	77	*	Transaxle - 5 speed
	391722	Drag link assembly, (includes 20, 21 & 22)			(Foote Model 4360-62)
20	097071	Link - drag	78	158154	Bolt - hex 5/16-18 x 2-3/4
21	158105	Nut - hex jam 3/8-24	79	715185	Washer - flat 5/16
22	135038	Joint - ball	80	013243	Bracket - transaxle
23	615633	Nut - hex 3/8-24	81	018143	Brace - transaxle
24	043194	Wheel - front w/tire & rim	82	159228	Bolt - hex tap 5/16-18 x 3/4
25	043204	Rim - front tire	83	152108	Bolt - hex 5/16-18 x 1
26	159384	Bearing - wheel	84	089201	Lever - gear shift, upper
27	136291	Stem - valve w/cap	85	317016	Pin - cotter 1/8 x 1
28	042879	Tire - front 15 x 6.00 tubeless	86	112664	Knob - shift lever
29	158063	Washer - flat 3/4	87	615625	Nut - hex jam 1/2-13
30	112409	Cap - hub	88	179945	Arm - shift
31	112771	Wheel - steering	89	157982	Bolt - hex nylock 1/4-28 x 3/4
32	159434	Pin - roll 1/4 x 2	90	157792	Washer - flat
33	094755	Shaft - steering w/gear	91	099218	Pulley - transaxle
34	094748	Bearing - steering shaft, lower	92	615534	Key - woodruff #9
35	382853	Screw - hex 1/4-20 x 3/4 w/washer	93	170035	Ring - retainer
36	135640	Bearing - steering shaft, upper	94	043198	Wheel - rear w/tire
37	158535	Ring - retaining, upper bearing	95	043214	Rim - rear wheel
38	094680	Sector - steering	96	042861	Tire - rear 18 x 9.50 tubeless
39	095279	Bushing - sector	97	446617	Key - rear wheel 3/16 x 2-1/2
40	095278	Plate - sector support	98	158188	Washer - flat 3/4
41	715417	Washer - flat 3/8	99	179424	Bracket - shift lever
42	095013	Pulley - engine, double w/key	100	159004	Bolt - hex 1/4-20 x 3/4
43	162099	Bolt - hex 7/16-20 x 4-1/2	101	452615	Nut - hex 1/4-20 nylok
44	158873	Washer - flat 1/2	102	178962	Lever - gear shift, lower
45	311068	Washer - split lock 7/16	103	173054	Clip - retainer, lower lever
46	159020	Bolt - hex 3/8-16 x 1-1/2	104	177303	Link - connecting
47	382910	Cap - rod end 1/4	105	158725	Spacer - rear wheel
48	171215	Belt - drive	106	381020	Bolt - shoulder 1/4-20 x 1-1/4
49	109645	Pulley - idler	107	451419	Nut - hex 1/4-20 toplock
50	015198	Retainer - belt	108	789883	Ring - retaining, lower shaft
51	158444	Bolt - carriage 3/8-16 x 2	109	450346	Bolt - hex 5/16-18 x 3/4
52	158345	Washer - flat 3/8	110	468652	Spacer - ball joint
53	179408	Spring - torsion	111	715524	Nut - hex jam 3/8-16 lock
54	023408	Arm - idler	112	159954	Washer - flat 3/8
55	157479	Bolt - shoulder 5/16-18 x 1-1/4	--	042077	Tube - front tire 15 x 6.00 (optional)
56	158048	Washer - flat	--	042093	Tube - rear tire 18 x 9.50 (optional)
57	095333	Spring - idler arm	--	393736	Sealant - tire, 16 oz. bottle
58	095290	Pedal - clutch/brake w/brake latch	--	393744	Sealant - tire, 32 oz. bottle

\* Contact Foote - authorized service dealer or distributor for parts and warranty.

S/N 237585  
P/L 082703  
O/M 082702  
E/M 188953



# 39" MOWER DECK AND DRIVE

**MODEL 440M**  
**12.5 hp 39" Cut Riding Mower**  
**Uses Grass Catcher Model 36/39/45**

Index No.	Part No.	Description	Index No.	Part No.	Description
1	017004	Deck 39"	62	156956	Washer - flat 1/2
2	014456	Bar - skid	63	715185	Washer - flat 5/16
3	313510	Bolt - carriage 5/16-18 x 3/4	64	715417	Washer - flat 3/8
4	158691	Nut - eccentric, deck leveling	65	023283	Extension - idler arm
5	014480	Bracket - deck drawbar	66	109637	Spring - brake
6	450437	Bolt - hex 5/16-18 x 5/8	67	177139	Arm - blade brake includes 54 and 68
7	310151	Nut - hex 5/16-18 nylok	68	159186	Rivet
8	014431	Drawbar - deck	69	135780	Rod - brake
9	097469	Pin - drawbar	70	452615	Nut - hex 1/4-20 nylok
10	715011	Hairpin cotter	71	158212	Washer - flat 5/16
11	113076	Deflector - discharge opening	72	177659	Bracket - cable anchor
12	096438	Pin - deflector hinge	73	097980	Spring - clutch engaging
13	097972	Spring - chute deflector	74	008433	Decal - height numbers
14	014449	Bracket - deflector pivot	75	143115	Decal - DANGER
15	159830	Bolt - hex toptite 5/16-18 x 7/8	76	450346	Bolt - hex 5/16-18 x 3/4
16	014498	Bracket - deck lift RH	77	092452	Lever - engaging, blade drive
17	014506	Bracket - deck lift LH	78	615625	Nut - hex jam 1/2-13
18	042226	Wheel - deck 6"	79	112664	Knob - engaging lever
19	157495	Bolt - shoulder 3/8-16 x 2-1/8	80	097253	Clip - lever retaining
20	451195	Nut - hex 3/8-16 nylok	81	053038	Cable - engaging, blade drive includes 25,82,83,84 and 85
21	014522	Bracket - deck wheel LH	82	174128	Bracket - guide pulley
22	014530	Bracket - deck wheel RH	83	092429	Pulley - cable guide
23	156968	Bolt - hex 5/16-18 x 1-1/4	84	158683	Bolt - shoulder 1/4-20 x 1
24	164467	Washer - flat 7/16	85	158956	Washer - flat 1/4 special
25	616375	Nut - hex 1/4-20 center lock	86	096305	Retainer - cable
26	164673	Fitting - grease	87	159426	Nut - hex 1/4-28 jam
27	156406	Nut - hex 3/8-16 ser lock	88	138750	Switch - system interlock
28	022665	Lever - height adjusting	89	138776	Switch - system interlock
29	172403	Rod - lever	90	014142	Washer - formed
30	097295	Spring - lever	91	150185	Washer - split lock 3/8
31	112672	Knob - adjusting lever	92	156075	Washer - flat 1/2
32	030544	Blade - hi lift 19-1/2"	93	112680	Grip - lever
33	158055	Washer - formed spring 3/8	94	014134	Bracket - lever
34	158543	Bolt - hex 3/8-24 x 1 nylock	95	113316	Indicator - height of cut
35	094920	Spindle assembly - blade includes 36 thru 44	96	158527	Screw #8-32 x 3/8
36	098160	Shaft - blade w/saddle	97	113290	Cover - height adjust lever
37	134981	Shield - dust	98	008425	Decal - cover
38	095052	Housing - spindle w/o bearings	99	098459	Quadrant - height adjust
39	137760	Bearing - blade shaft	100	098467	Pawl - height adjust
40	095398	Spacer - bearings	101	158675	Bolt - shoulder 5/16-18 x 5/8
41	023674	Pulley - drive	102	052266	Cable - deck lifting
42	159319	Spacer - pulley	103	097337	Pin - clevis
43	157396	Washer - pulley retainer	104	158857	E Ring
44	159301	Nut - hex flange lock 7/16-20	105	159137	Clevis - lift cable
45	159202	Bolt - hex taptite 5/16-18 x 1-3/8	106	157966	Nut - square 1/4-20
46	136176	Belt - blade drive	107	157263	Pin - clevis
47	115419	Guard - belt, L.H.	108	715136	Washer - flat #10
48	157446	Bolt - shoulder 1/4-20 x 1-3/8	109	097352	Retainer - cable
49	172130	Guide - belt	110	158683	Bolt - shoulder 1/4-20 x 1
50	098004	Pulley - idler	111	097279	Clevis - pulley, on fender
51	098012	Retainer - belt	112	097287	Pin - clevis
52	158444	Bolt - carriage 3/8-16 x 2	113	158923	Nut - square 5/16-18
53	098053	Arm - idler w/brake pad includes next three parts:	114	159343	Washer - flat 1/2
	014084	Arm - idler w/o brake pad	115	152108	Bolt - hex 5/16-18 x 1
54	135046	Pad - brake	116	157610	Nut - hex 5/16-18 flanged
55	159152	Rivet - 3/16 x 1/2	117	158832	Screw - taptite #10-24 x 1/2
56	150433	Bolt - hex 1/4-20 x 2	118	159400	Screw - #10-24 x 1
57	715037	Nut - hex keps 1/4-20	119	310052	Nut - hex 1/4-20
58	023531	Bracket - idler arm pivot	120	158089	Screw - taptite 1/4-20 x 1/2
59	158733	Bolt - shoulder 3/8-16 x 2-9/16		031039	Blade - No Lift (optional)
60	158337	Washer - flat 3/8 special (thick)		396960	Deck Assembly - complete
61	715391	Nut - hex 3/8-16			

S/N 237585  
P/L 082703  
O/M 082702  
E/M 188953