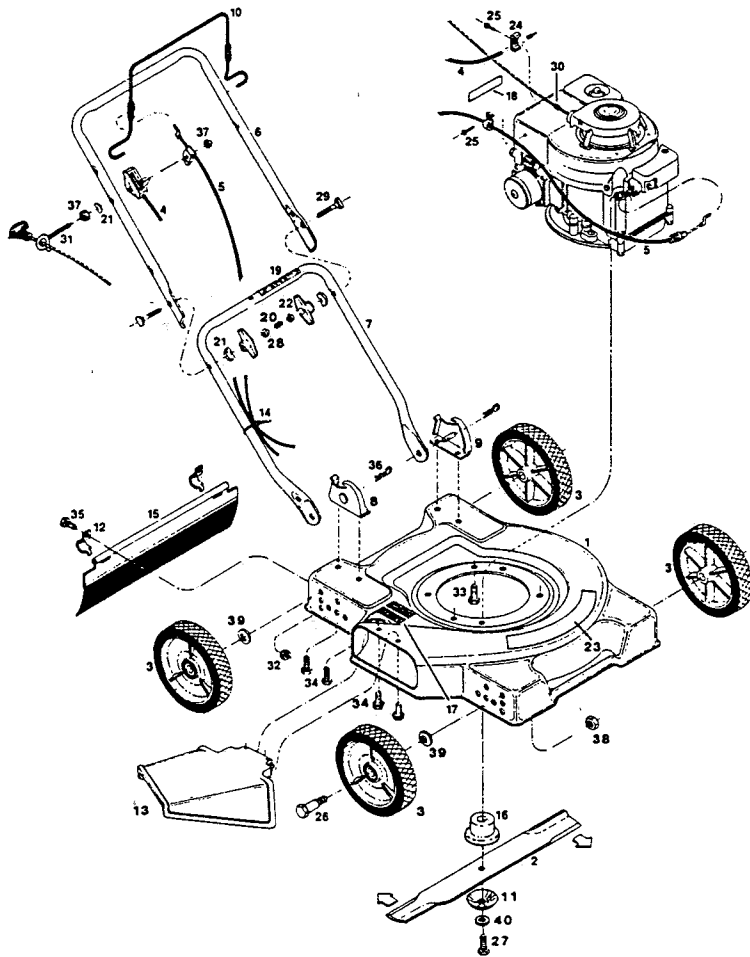


**MODEL 45L**  
**3.5 H.P. 19" Cut Side-Discharge Rotary Mower**  
**Uses Grass Catcher Model GC6AA**  
**Grass Catcher P/N 161018**  
**Repl. Bag P/N 161158**



ITEM NO.	PART NO.	DESCRIPTION
1	022251	Deck 19"
2	030023	Blade - 19" Flat
3	043141	Wheel 7" Plastic
4	052803	Control - Throttle Plastic
5	052928	Cable - Engine/Blade Control
6	073007	Handle - Upper
7	072991	Handle - Lower
8	092601	Handle Bracket - Right Hand
9	092619	Handle Bracket - Left Hand
10	073015	Bail - Engine/Blade Control
11	164681	Washer - Conical
12	106914	Clip - Trailing Shield
13	394619	Chute Deflector Assembly
14	110379	Cable Tie
15	114389	Trailing Shield
16	092221	Blade Adapter
17	144063	Decal - C.P.S.C. Danger
18	009415	Decal - Blade Warning
19	715557	Decal - Starting Instructions
20	110064	Cap - Bolt
21	150201	Washer - Curved 5/16
22	113589	Wingnut - Plastic
23	798660	Decal LC-Deck
24	150318	Cable Clamp
25	150623	Self Tap Screw #10 x 5/8
26	150060	Shoulder Bolt - Wheel
27	157255	Bolt-Blade 3/8-24 x 1-1/4 Gr. 8
28	310045	Nut - 5/16-18
29	151936	Bolt - Curved Head 5/16-18 x 2-1/4
30	152074	Rope Stop
31	154187	Rope Guide
32	452318	Nut #10-24 Hx Nylon Insert
33	457168	Bolt - Hex Head Self Tap 3/8-16 x 7/8
34	457499	Bolt - Self Tap 1/4-20 x 5/8
35	458687	Bolt #10-24 x 1/2
36	715011	Hairpin Cotter
37	715037	Nut - Keps 1/4-20
38	156406	Locknut 3/8-16 Flange Lock
39	715607	Washer - Belleville
40	156877	Washer - Hardened

**Note:** Parts are right or left hand as viewed from operator position

Specifications subject to change without prior notice

S/N 231688  
P/L 797985  
O/M 798066  
E/M 189985