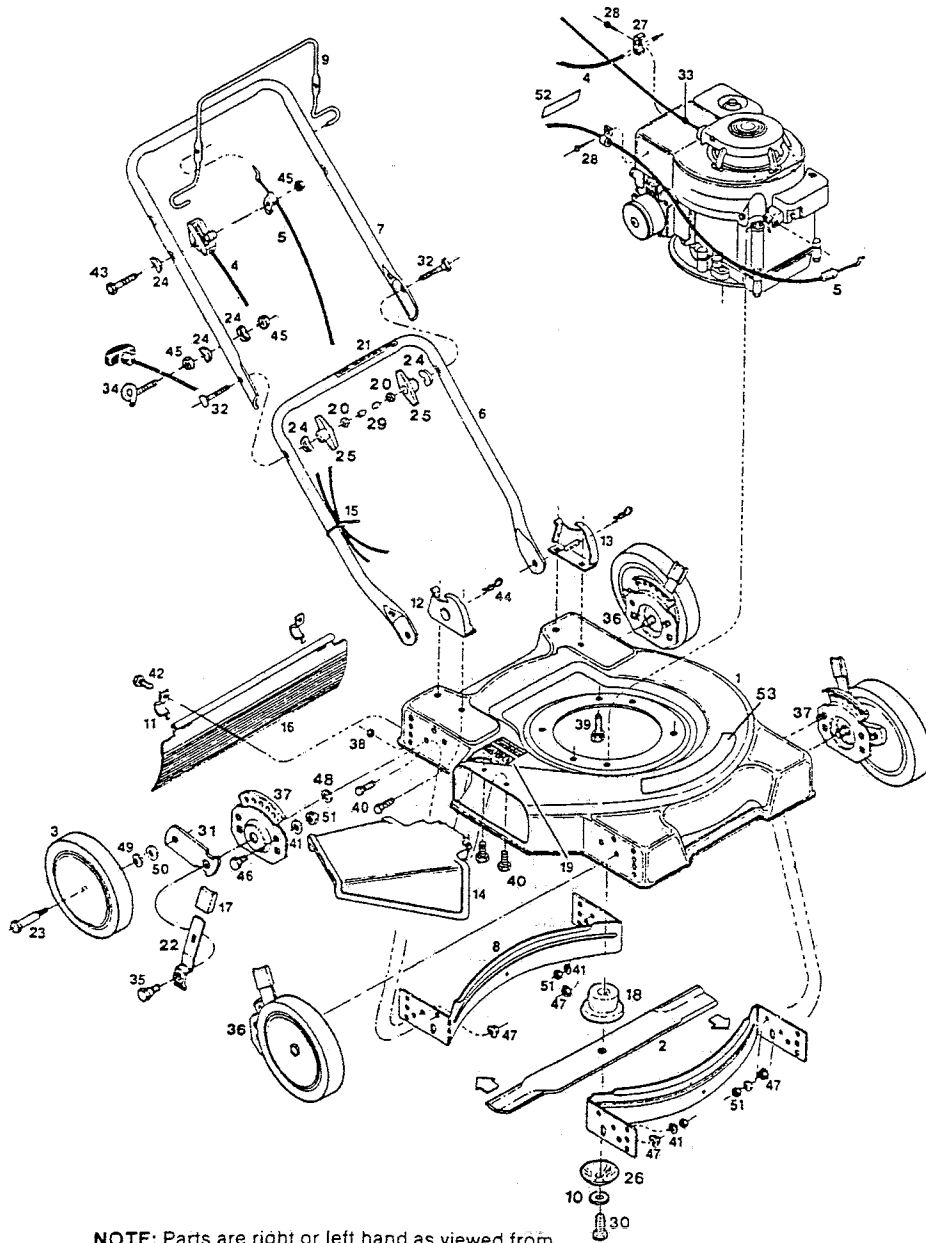


## Ask for Grass Catcher Model GC-6AA



**DO NOT** operate your mower unless all parts are attached and in good working order. Keep your mower in good repair all times.



INDEX NO.	PART NO.	DESCRIPTION
1	019059	Deck 20" - Red
2	030031	Blade - 20" Flat
3	043141	7" Plastic - Gray - Diamond
4	053073	Control - Throttle w/Cable
5	052928	Cable - Engine Blade Control
6	072991	Handle - Lower
7	073007	Handle - Upper
8	101519	Baffle 20/22" Rear or Front
9	073015	Bail - Engine/Blade Control
10	156877	Washer - 3/8 Hardened
11	106914	Clip - Trailing Shield
12	092601	Handle Bracket - Right Hand
13	092619	Handle Bracket - Left Hand
14	394619	Chute Deflector Assembly
15	110379	Cable Tie
16	114421	Trailing Shield - 20/22"
17	114462	Plastic Tip - Setting Lever
18	094933	Blade Adapter
19	144063	Decal - Danger
20	310045	Nut - 5/16-18 Hex
21	799599	Decal - Starting Instructions
22	776500	Setting Lever - Height Adjuster
23	116619	Wheel Bolt w/Hgt. Adj
24	150201	Washer - Curved 5/16
25	113589	Wing - Knob
26	164681	Washer - Conical
27	150318	Cable Clamp
28	150623	Screw - Sheet Metal #10 x 5/8
29	110064	Cap - Plastic
30	157255	Bolt - Blade
31	092668	Wheel Lever - Height Adjuster
32	151936	Bolt - Curved Head 5/16-18 x 2-1/4
33	152074	Rope Stop
34	152371	Rope Guide
35	153650	Shoulder Bolt - Hgt. Adj.
36	092650	Back Plate - Height Adjuster R H For L.H. Rear
37	092643	Back Plate - Height Adjuster L H For R.H. Rear
38	452318	Nut - #10-24 HX Nylon Insert
39	164999	Bolt - 3/8-16 x 7/8 Thread Forming
40	164998	Bolt - 1/4-20 x 1/2 Thread Forming
41	462093	Washer - Flat 1/4"
42	458687	Bolt - Hex Head #10-24 x 1/2
43	153874	Bolt - 1/4-20 x 2-1/4 Hex Head
44	715011	Hairpin Cotter
45	715037	Nut - Keps 1/4-20
46	715045	Bolt - Hex Head 1/4-20 x 3/4
47	156406	Locknut 3/8-16 Lock
48	311340	Washer - Hgt Adjuster
49	715607	Washer - Belleville
50	158469	Washer 3/8 SAE
51	715508	Locknut 1/4-20 Top
52	009415	Decal - Blade Warning (Rectangle)
53	799821	Decal - Lawn Chief

NOTE: Parts are right or left hand as viewed from operator position.  
Specifications subject to change without prior notice



**THOROUGHLY READ OPERATOR'S MANUAL AND COMPLETELY ASSEMBLE ALL LOOSE PARTS BEFORE OPERATING MOWER.**

S/N 239036  
P/L 082859  
O/M 082915