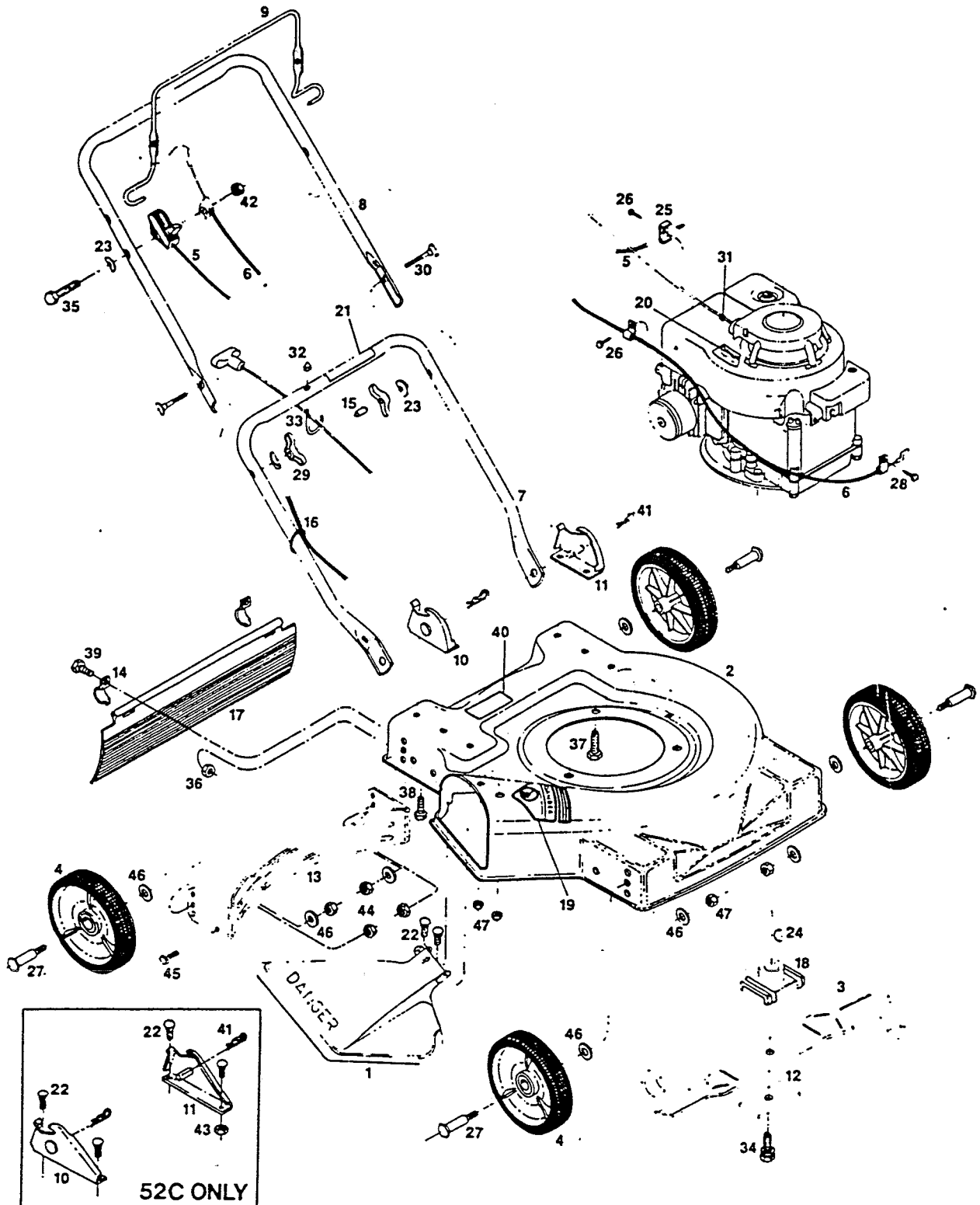


**Model 50C - Servess**  
**Model 52C - Servess**  
**20" Rotary Mower**  
 Grass Catcher GC-12 (Not Shown)



**Model 50C - Servess****Model 52C - Servess**

| INDEX NO. | PART NO. | DESCRIPTION                               |
|-----------|----------|---|
| 1         | 028886   | Chute Deflector Assembly*                 |
| 2         | 028928   | Deck - 20" 50C                            |
|           | 028936   | Deck - 22" 52C                            |
| 3         | 030296   | Blade - 20" Offset 50C                    |
|           | 030353   | Blade - 22" Offset 52C                    |
| 4         | 041038   | Wheel - 7"                                |
| 5         | 050633   | Control - Throttle                        |
| 6         | 050674   | Control Cable - Engine/Blade*             |
| 7         | 071050   | Handle - Lower                            |
| 8         | 071076   | Handle - Upper                            |
| 9         | 104687   | Control - Engine/Blade Crossbar*          |
| 10        | 107086   | Handle Bracket - RH 20" 50C               |
|           | 104661   | Handle Bracket - RH 22" 52C               |
| 11        | 107094   | Handle Bracket - LH 20" 50C               |
|           | 104679   | Handle Bracket - LH 22" 52C               |
| 12        | 106005   | Washer - Blade 3"                         |
| 13        | 106625   | Baffle - Rear Only                        |
| 14        | 106914   | Clip - Trailing Shield                    |
| 15        | 110064   | Bolt Cap                                  |
| 16        | 110379   | Cable Tie                                 |
| 17        | 111609   | Trailing Shield - Plastic*                |
| 18        | 126466   | Blade Adaptor                             |
| 19        | 144063   | Decal CPSC Danger                         |
| 20        | 144204   | Decal Blade Warning                       |
| 21        | 144899   | Decal Starting Instructions               |
| 22        | 150011   | Bolt - Carriage 1/4-20 x 5/8 Gr 5         |
| 23        | 150201   | Washer - Curved 5/16                      |
| 24        | 150276   | Woodruff Key #6                           |
| 25        | 150318   | Cable Clamp                               |
| 26        | 150623   | Bolt - #10x5/8 Hex Head Sheet Metal       |
| 27        | 150730   | Bolt - Wheel                              |
| 28        | 151613   | Bolt - 10-32x3/8 Hex Head                 |
| 29        | 151795   | Wing Nut 5/16-18                          |
| 30        | 151936   | Bolt-5/16-18 x 2 1/4 Curved Head Carriage |
| 31        | 152074   | Rope Stop                                 |
| 32        | 152207   | Locknut - 1/4-20 Acorn                    |
| 33        | 152215   | Bolt - Rope Guide                         |
| 34        | 152496   | Bolt - Blade Hex HD Sems 3/8-24x1         |
| 35        | 153874   | Bolt - Hex HD 1/4-20 x 2 1/4              |
| 36        | 452318   | Nut #10-24 Hex Nylon Insert               |
| 37        | 457168   | Bolt - 3/8-16x7/8 TDFM                    |
| 38        | 457499   | Bolt - 1/4-20 x 1/2 TDFM - 50C only       |
| 39        | 525337   | Bolt - 10-24 x 1/2 Hex Head               |
| 40        | 714170   | Decal Rating Plate                        |
| 41        | 715011   | Hitch Pin #3                              |
| 42        | 715037   | Locknut - 1/4-20 Keps                     |
| 43        | 715078   | Locknut - 1/4-20 Flanged Whiz-52C only    |
| 44        | 715086   | Locknut - 3/8-16 Top                      |
| 45        | 715201   | Bolt - 3/8-16 x 3/4 Hex Head              |
| 46        | 715417   | Washer - 3/8 SAE                          |
| 47        | 715508   | Locknut - 1/4-20 Top                      |

**NOTE:** Parts are right or left hand as viewed from operator position.