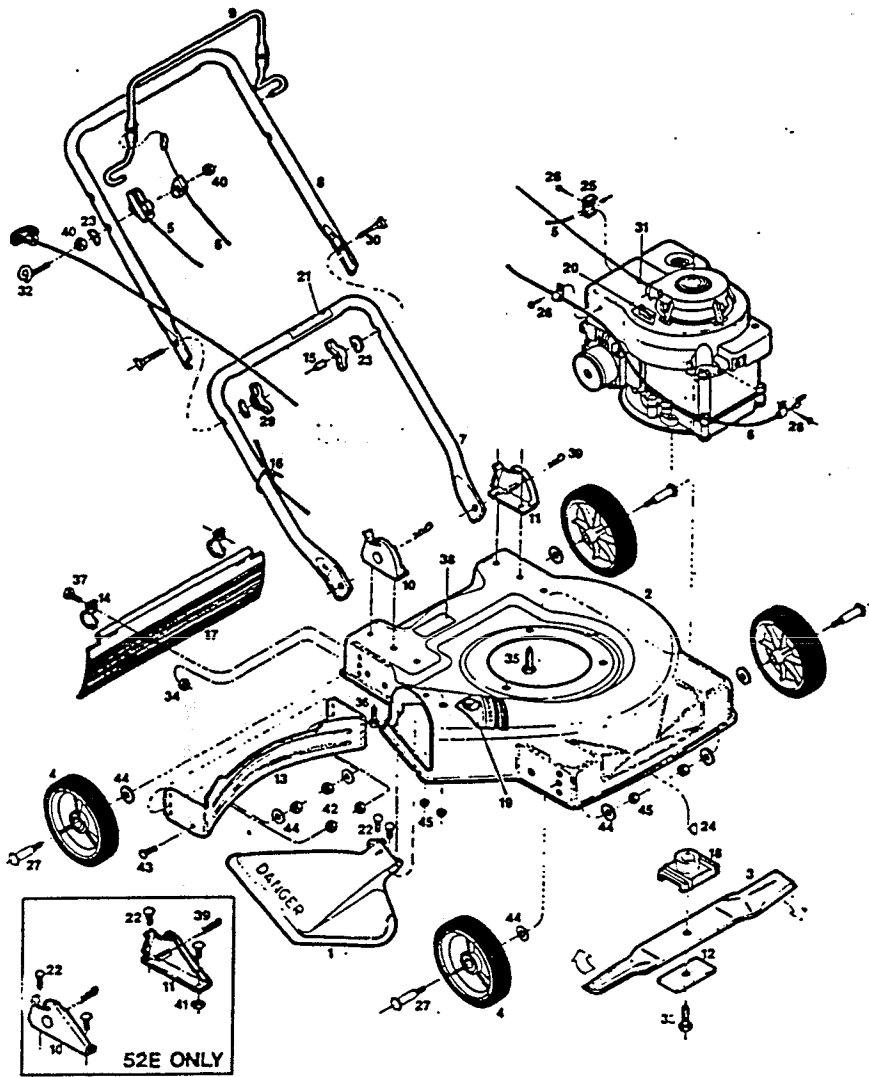


**Models 50E (20") & 52E (22")
20" and 22" Rotary Mower
Catcher Model GC-12**



INDEX NO.	PART NO.	DESCRIPTION
1	028886	Chute Deflector Assembly*
2	024182	Deck - 20" 50E
	024364	Deck - 22" 52E
3	030296	Blade - 20" Offset 50E
	030353	Blade - 22" Offset 52E
4	041467	Wheel - 7"
5	051219	Control - Throttle w/Cable
6	051037	Cable - Engine/Blade Control*
7	071563	Handle - Lower
8	071076	Handle - Upper
9	109389	Bail - Engine Blade Control*
10	107086	Handle Bracket - RH 20" 50E
	104661	Handle Bracket - RH 22" 52E
11	107094	Handle Bracket - LH 20" 50E
	104679	Handle Bracket - LH 22" 52E
12	106005	Washer - Blade
13	106625	Baffle - Rear Only*
14	106914	Clip - Trailing Shield
15	110064	Bolt Cap
16	110379	Cable Tie
17	111609	Trailing Shield - Plastic*
18	126466	Blade Adapter
19	144063	Decal - Danger
20	001461	Decal - Blade Warning
21	144899	Decal - Starting Instructions
22	150011	Bolt - Carriage 1/4-20 x 5/8
23	150201	Washer - Curved 5/16
24	150276	Woodruff Key #6
25	150318	Cable Clamp
26	150623	Bolt - Hex #10x5/8 Sheet Metal
27	150730	Bolt - Wheel
28	151613	Bolt - Hex #10-32x3/8
29	151795	Wing Nut 5/16-18
30	151936	Bolt Curved Head-5/16-18 x 2 1/4
31	152074	Rope Stop
32	152629	Eyebolt - Rope Guide
33	150862	Bolt - Blade 3/8-24x1
34	452318	Nut #10-24 Hex Nylok
35	457168	Bolt - 3/8-16x7/8 TDFM
36	457499	Bolt - 1/4-20 x 1/2 TDFM - 50E only
37	458687	Bolt - Hex 10-24 x 1/2
38	714170	Decal - Model Number
39	715011	Hairpin Cotter
40	715037	Locknut - 1/4-20 Keps
41	715078	Locknut - 1/4-20 Whiz-52E only
42	715086	Locknut - 3/8-16 Top
43	715201	Bolt - Hex 3/8-16 x 3/4
44	156877	Washer - 3/8
45	715508	Locknut - 1/4-20 Top

NOTE: Parts are right or left hand as viewed from operator position.
Approximate cutting heights 1 3/4" to 2 1/4".

227017=50
227157=52