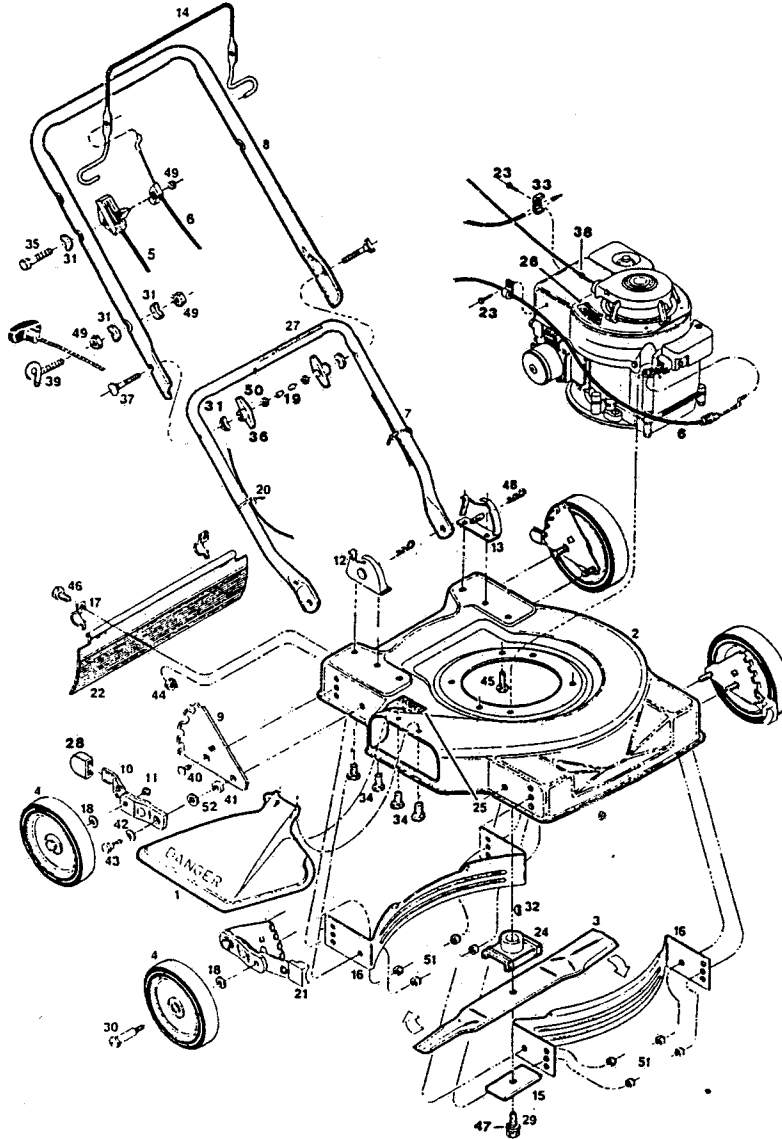


MODEL 50K 20"
52K 22"
3.5 HP Side Discharge Mowers
Grass Catcher Model GC12A
P/N 161109
P/N Repl. Bag 161117



INDEX NO.	PART NO.	DESCRIPTION
1	391771	Chute Deflector Assembly
2	015388	Deck - 20" (50)
	022293	Deck - 22" (52)
3	030296	Blade - 20" (50)
	030353	Blade - 22" (52)
4	043018	Wheel - 8"
5	051219	Control - Throttle w/Cable
6	052142	Cable - Engine/Blade Control
7	072991	Handle - Lower
8	073007	Handle - Upper
9	091249	Back Plate - Height Adjuster
10	085019	Arm Assembly Wheel
11	715524	Locknut 3/8-16 Jam
12	088369	Handle Bracket - Right Hand
13	088377	Handle Bracket - Left Hand
14	073015	Bail - Engine/Blade Control
15	106005	Blade Washer
16	106625	Baffle - Front and Rear
17	106914	Clip - Trailing Shield
18	715607	Washer - Belleville
19	110064	Bolt Cap
20	110379	Cable Tie
21	112540	Plastic Tip - Height Adjuster
22	114421	Trailing Shield - Plastic
23	150623	Screw #10-24 x 5/8 HWH
24	126466	Blade Adapter
25	144063	Decal - Danger
26	001461	Decal - Blade Warning
27	715557	Decal - Starting Instructions
28	110510	Plastic Tip - Height Adjuster
29	157255	Bolt - Blade 3/8-24 x 1
30	150730	Shoulder Bolt - Wheel
31	150201	Washer - Curved 5/16
32	150276	Woodruff Key No. 6
33	150318	Cable Clamp
34	457499	Bolt 1/4-20 x 1/2 TD FM
35	153874	Bolt - 1/4-20 x 2 1/4 HHCS
36	113589	Wing Nut
37	151936	Bolt - Curved HD Crg 5/16-18x2 1/4
38	152074	Rope Stop
39	152371	Eyebolt - Rope Guide
40	152405	Bolt - Carriage 3/8-16 x 3/4
41	156182	Washer - Plastic - Height Adjuster
42	152421	Washer - Spring - Height Adjuster
43	156125	Shoulder Bolt - Height Adjuster
44	452318	Nut - #10-24 Hex Nylon Insert
45	457168	Bolt - 3/8-16 x 7/8 TDFM
46	458687	Bolt - Hex Head 10-24 x 1/2
47	156919	Lockwasher - 3/8
48	715011	Hairpin Cotter
49	715037	Locknut - 1/4-20 Keps
50	310045	Nut 5/16 - 18 Hex
51	156406	3/8-16 Nut - Flange Lock
52	156877	Washer - 3/8

- This parts list covers several different mower models; not all of the parts listed may be used on the particular model you are working with.
- When servicing use only **Genuine Factory Replacement Parts (OEM)** that are specifically designed for the particular model that you are working with.
- Parts are right or left hand as viewed from the operator's position.
- Model specifications are subject to change without prior notice.
- **Do not operate** the mower unless all parts are attached and in good working order.
- Lawn mower deck and/or other painted parts differing in color may be substituted without notice.