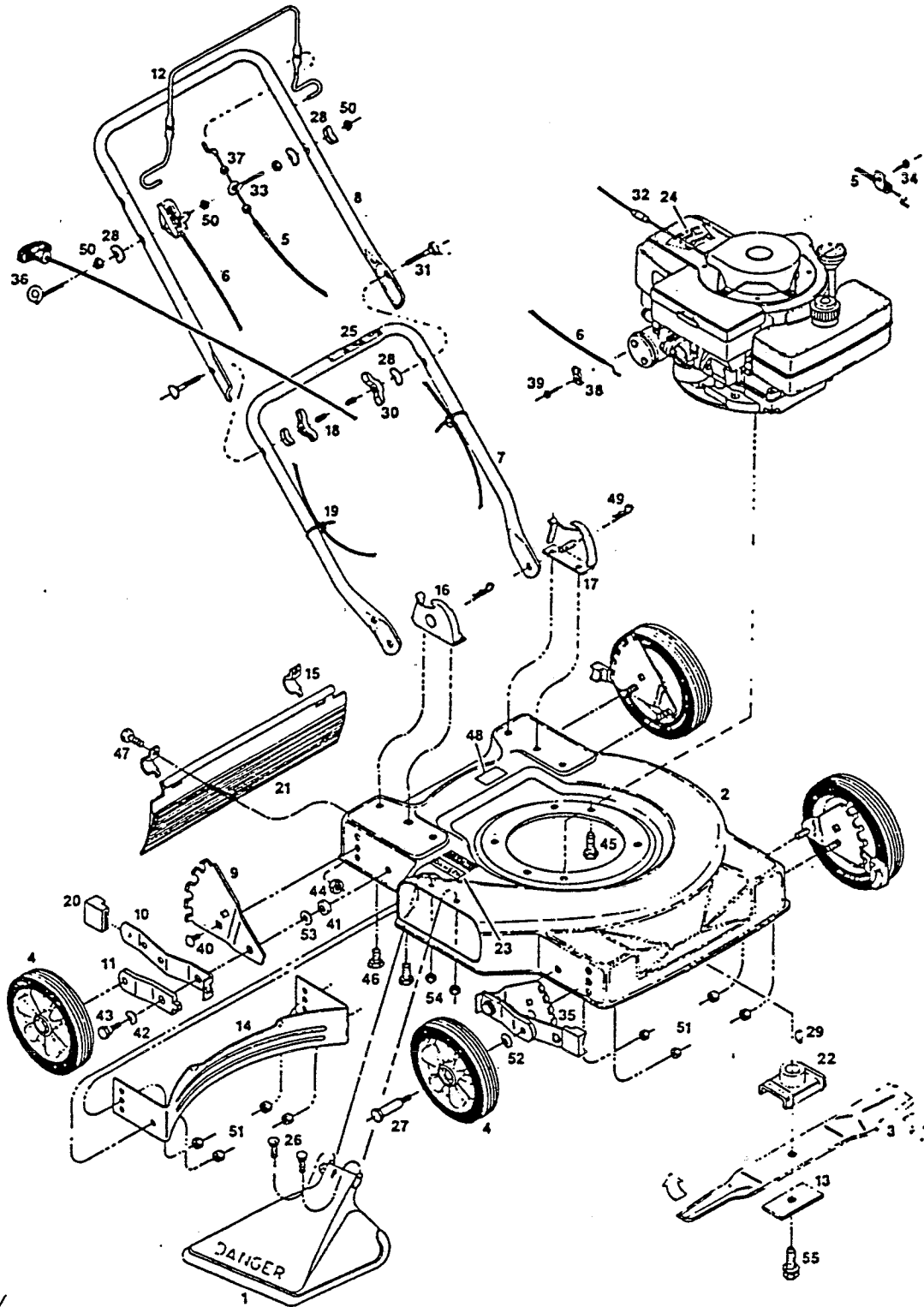


Model 51D
20" Rotary Mower
Grass Catcher GC-12



226142

Model 51D
20" Rotary Mower
Grass Catcher GC-12

INDEX NO.	PART NO.	DESCRIPTION
1	028886	Chute Deflector Assembly*
2	028902	Deck - 20"
3	030296	Blade - 20" - Offset
4	040907	Wheel - 7"
5	050344	Cable - Engine/Blade Control*
6	051060	Control - Throttle w/Cable
7	071563	Handle - Lower
8	071076	Handle - Upper
9	090589	Back Plate - Height Adjuster
10	090613	Setting Lever - Height Adjuster
11	090712	Wheel Lever - Height Adjuster
12	106880	Bail - Engine/Blade Control*
13	106005	Blade Washer
14	106625	Baffle - Rear Only*
15	106914	Clip - Trailing Shield
16	107086	Handle Bracket - Right Hand
17	107094	Handle Bracket - Left Hand
18	110064	Bolt Cap
19	110379	Cable Tie
20	111260	Plastic Tip - Height Adjuster
21	111617	Trailing Shield - Plastic*
22	126466	Blade Adapter
23	144063	Decal - Danger
24	144204	Decal - Blade Warning
25	144899	Decal - Starting Instructions
26	150011	Bolt - Carriage 1/4-20 x 5/8
27	150060	Shoulder Bolt - Wheel
28	150201	Washer - Curved 5/16
29	150276	Woodruff Key No. 6
30	151795	Wing Nut 5/16-18
31	151936	Bolt - Curved Head Crg 5/16-18x2-1/4
32	152074	Rope Stop
33	152140	Eye Bolt - Cable Mounting
34	152157	Bolt - Hex Head 10-32 x 1/4
35	126367	Height Adjuster Assembly
36	152371	Eye Bolt - Rope Guide
37	152223	Nut 5/16-24 Hex Jam
38	150318	Cable Clamp
39	151149	Bolt-Hex Washer Head 10-32 x 3/8
40	152405	Bolt-Carriage 3/8-16 x 3/4
41	152413	Washer Plastic - Height Adjuster
42	152421	Washer Spring - Height Adjuster
43	153643	Shoulder Bolt - Height Adjuster
44	452318	Nut - #10-24 Hex Nylon Insert
45	457168	Bolt-Thread Forming-3/8-16 x 7/8
46	153601	Bolt-Thread Forming-1/4-20 x 1/2
47	458687	Bolt - Hex Head 10-24 x 1/2
48	714170	Decal - Model Number
49	715011	Hairpin Cotter
50	715037	Locknut - 1/4-20 Keps
51	715086	Locknut - 3/8-16 Top
52	715607	Washer - Belleville
53	715417	Washer - 3/8 SAE
54	715508	Locknut - 1/4-20 Top
55	152496	Bolt - Blade Hex HD Sems 3/8-24 x 1

NOTE: Parts are right or left hand as viewed from operator position.
 Approximate cutting heights 5/8" to 2-5/8"
 Specifications subject to change without prior notice