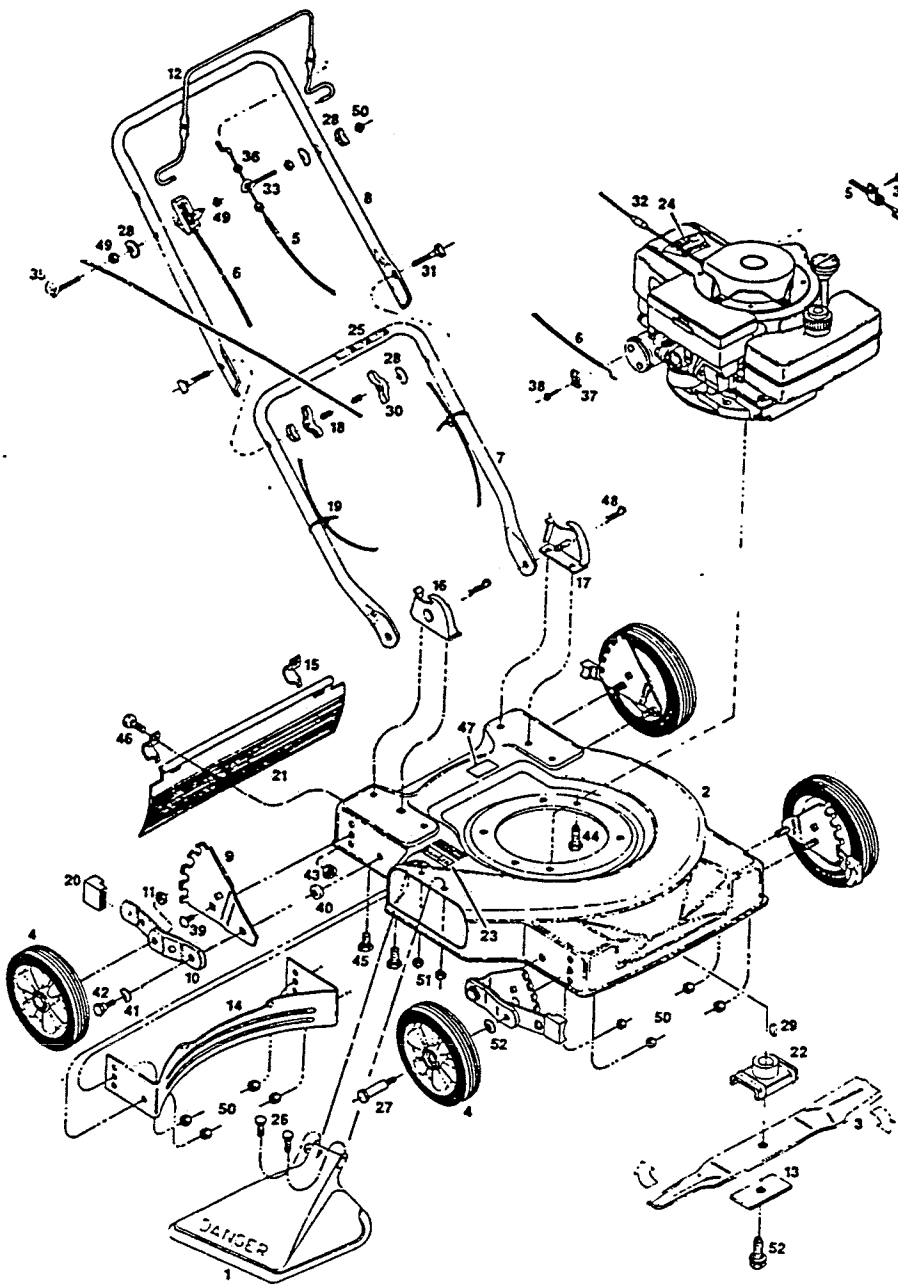


**Model 51E  
20" Rotary Mower  
Grass Catcher Model GC-12**



| INDEX NO. | PART NO. | DESCRIPTION                          |
|-----------|----------|--------------------------------------|
| 1         | 028886   | Chute Deflector Assembly*            |
| 2         | 024182   | Deck - 20"                           |
| 3         | 030296   | Blade - 20" - Offse*                 |
| 4         | 498618   | Wheel - 7"                           |
| 5         | 051011   | Cable - Engine/Blade Control*        |
| 6         | 051219   | Control - Throttle w/Cable           |
| 7         | 071563   | Handle - Lower                       |
| 8         | 071076   | Handle - Upper                       |
| 9         | 090589   | Back Plate - Height Adjuster         |
| 10        | 091033   | Arm Assembly - Wheel                 |
| 11        | 715524   | Locknut - 3/8-16                     |
| 12        | 109470   | Bail - Engine/Blade Control*         |
| 13        | 106005   | Blade Washer                         |
| 14        | 106625   | Baffle - Rear Only*                  |
| 15        | 106914   | Clip - Trailing Shield               |
| 16        | 107086   | Handle Bracket - Right Hand          |
| 17        | 107094   | Handle Bracket - Left Hand           |
| 18        | 110064   | Bolt Cap                             |
| 19        | 110379   | Cable Tie                            |
| 20        | 111260   | Plastic Tip - Height Adjuster        |
| 21        | 111617   | Trailing Shield - Plastic*           |
| 22        | 126466   | Blade Adapter                        |
| 23        | 144063   | Decal - Danger                       |
| 24        | 001461   | Decal - Blade Warning                |
| 25        | 144899   | Decal - Starting Instructions        |
| 26        | 150011   | Bolt - Carriage 1/4-20 x 5/8         |
| 27        | 156141   | Shoulder Bolt - Wheel                |
| 28        | 150201   | Washer - Curved 5/16                 |
| 29        | 150276   | Woodruff Key No. 6                   |
| 30        | 151795   | Wing Nut 5/16-18                     |
| 31        | 151936   | Bolt - Curved Head Crg 5/16-18x2-1/4 |
| 32        | 152074   | Rope Stop                            |
| 33        | 155234   | Eyebolt - Cable Mounting             |
| 34        | 151613   | Bolt - Hex Head 10-32 x 3/8          |
| 35        | 152629   | Eye Bolt - Rope Guide                |
| 36        | 152223   | Nut 5/16-24 Hex Jam                  |
| 37        | 152231   | Cable Clamp                          |
| 38        | 151149   | Bolt-Hex Washer Head 10-32 x 3/8     |
| 39        | 152405   | Bolt-Carriage 3/8-16 x 3/4           |
| 40        | 156182   | Washer Plastic - Height Adjuster     |
| 41        | 152421   | Washer Spring - Height Adjuster      |
| 42        | 156125   | Shoulder Bolt - Height Adjuster      |
| 43        | 452318   | Nut - #10-24 Hex Nylon Insert        |
| 44        | 457168   | Bolt-Thread Forming-3/8-16 x 7/8     |
| 45        | 457499   | Bolt-Thread Forming-1/4-20 x 1/2     |
| 46        | 458687   | Bolt - Hex Head 10-24 x 1/2          |
| 47        | 714170   | Decal - Model Number                 |
| 48        | 715011   | Hairpin Cotter                       |
| 49        | 715037   | Locknut - 1/4-20 Keps                |
| 50        | 715086   | Locknut - 3/8-16 Top                 |
| 51        | 715508   | Locknut - 1/4-20 Top                 |
| 52        | 150862   | Bolt - Blade Hex HD Sems 3/8-24 x 1  |

NOTE: Parts are right or left hand as viewed from operator position.  
Approximate cutting heights 5/8" to 2-5/8".

*227025*