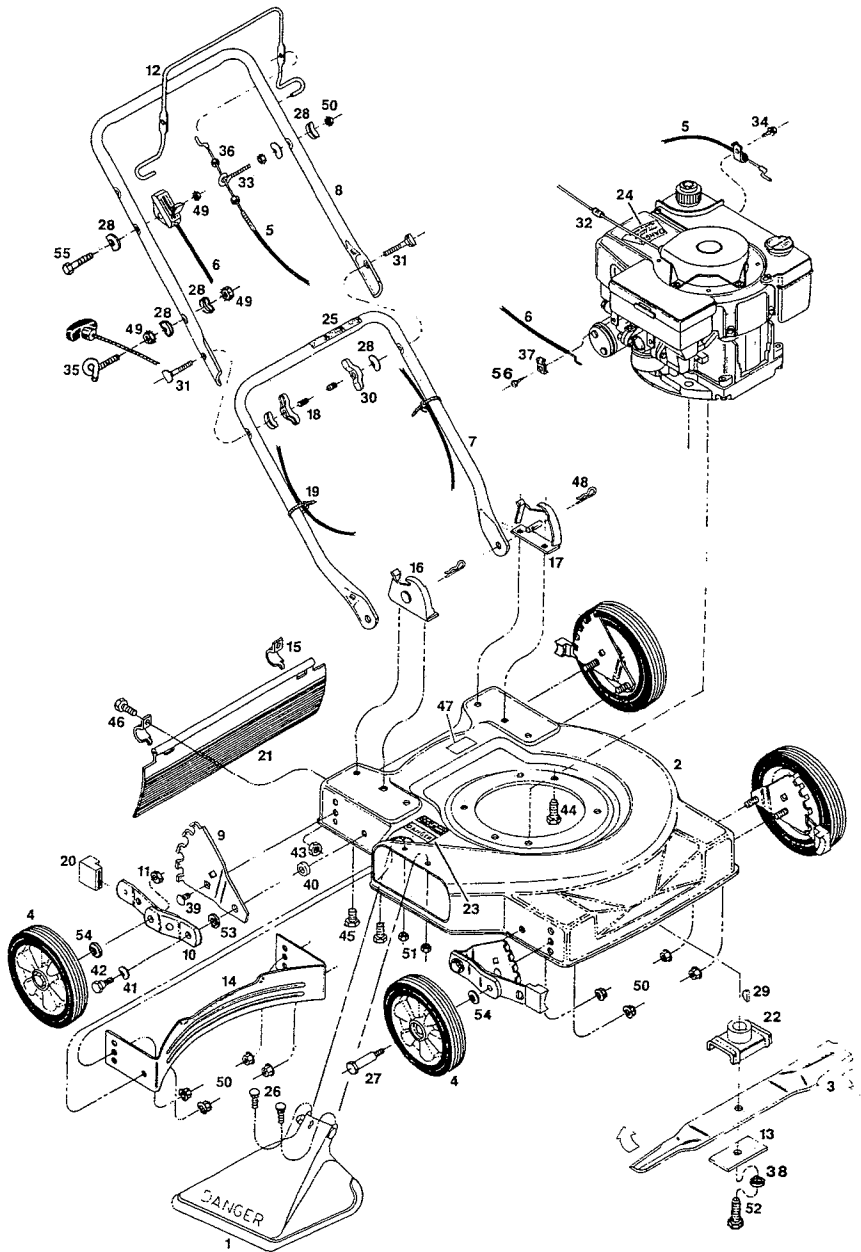




Model 51 F
20" Rotary Mower
Grass Catcher GC-12



INDEX NO.	PART NO.	DESCRIPTION
1	013573	Chute Deflector Assembly*
2	013342	Deck - 20"
3	030296	Blade - 20" - Offset
4	498618	Wheel - 7"
5	051474	Cable - Engine/Blade Control*
6	051219	Control - Throttle w/Cable
7	071563	Handle - Lower
8	071076	Handle - Upper
9	090589	Back Plate - Height Adjuster
10	091033	Arm Assembly - Wheel
11	715524	Locknut - 3/8-16
12	109470	Bail - Engine/Blade Control*
13	106005	Blade Washer
14	106625	Baffle - Rear Only*
15	106914	Clip - Trailing Shield
16	107086	Handle Bracket - Right Hand
17	107094	Handle Bracket - Left Hand
18	110064	Bolt Cap
19	110379	Cable Tie
20	112540	Plastic Tip - Height Adjuster
21	111617	Trailing Shield - Plastic*
22	126466	Blade Adapter
23	144063	Decal - Danger
24	001461	Decal - Blade Warning
25	144899	Decal - Starting Instructions
26	150011	Bolt - Carriage 1/4-20 x 5/8
27	157420	Shoulder Bolt - Wheel
28	150201	Washer - Curved 5/16
29	150276	Woodruff Key No. 6
30	151795	Wing Nut 5/16-18
31	151936	Bolt - Curved Head Crg 5/16-18x2-1/4
32	152074	Rope Stop
33	155234	Eyebolt - Cable Mounting
34	156869	Screw - #10-32x3/8-1/4 HD
35	152371	Eye Bolt - Rope Guide
36	152223	Nut 5/16-24 Hex Jam
37	152231	Cable Clamp
38	156919	Lockwasher - 3/8 HD Split
39	152405	Bolt-Carriage 3/8-16 x 3/4
40	156182	Washer Plastic - Height Adjuster
41	152421	Washer Spring - Height Adjuster
42	156125	Shoulder Bolt - Height Adjuster
43	452318	Nut - #10-24 Hex Nylon Insert
44	457168	Bolt-Thread Forming-3/8-16 x 7/8
45	457499	Bolt-Thread Forming-1/4-20 x 1/2
46	458687	Bolt - Hex Head 10-24 x 1/2
47	714170	Decal - Model Number
48	715011	Hairpin Cotter
49	715037	Locknut - 1/4-20 Keps
50	451492	Nut - 3/8-16 Toplock Flange
51	715508	Locknut - 1/4-20 Top
52	157255	Bolt - Blade Hex HD Sems 3/8-24 x 1
53	156877	Washer - 3/8 Hardened
54	715607	Washer - 3/8 Belleville
55	450379	Bolt - 1/4-20x1-3/4 HXHD
56	152249	Screw - #10-32x3/8 HWHD

NOTE: Parts are right or left hand as viewed from operator position.
 Approximate cutting heights 5/8" to 2-5/8".
 Specifications subject to change without prior notice.