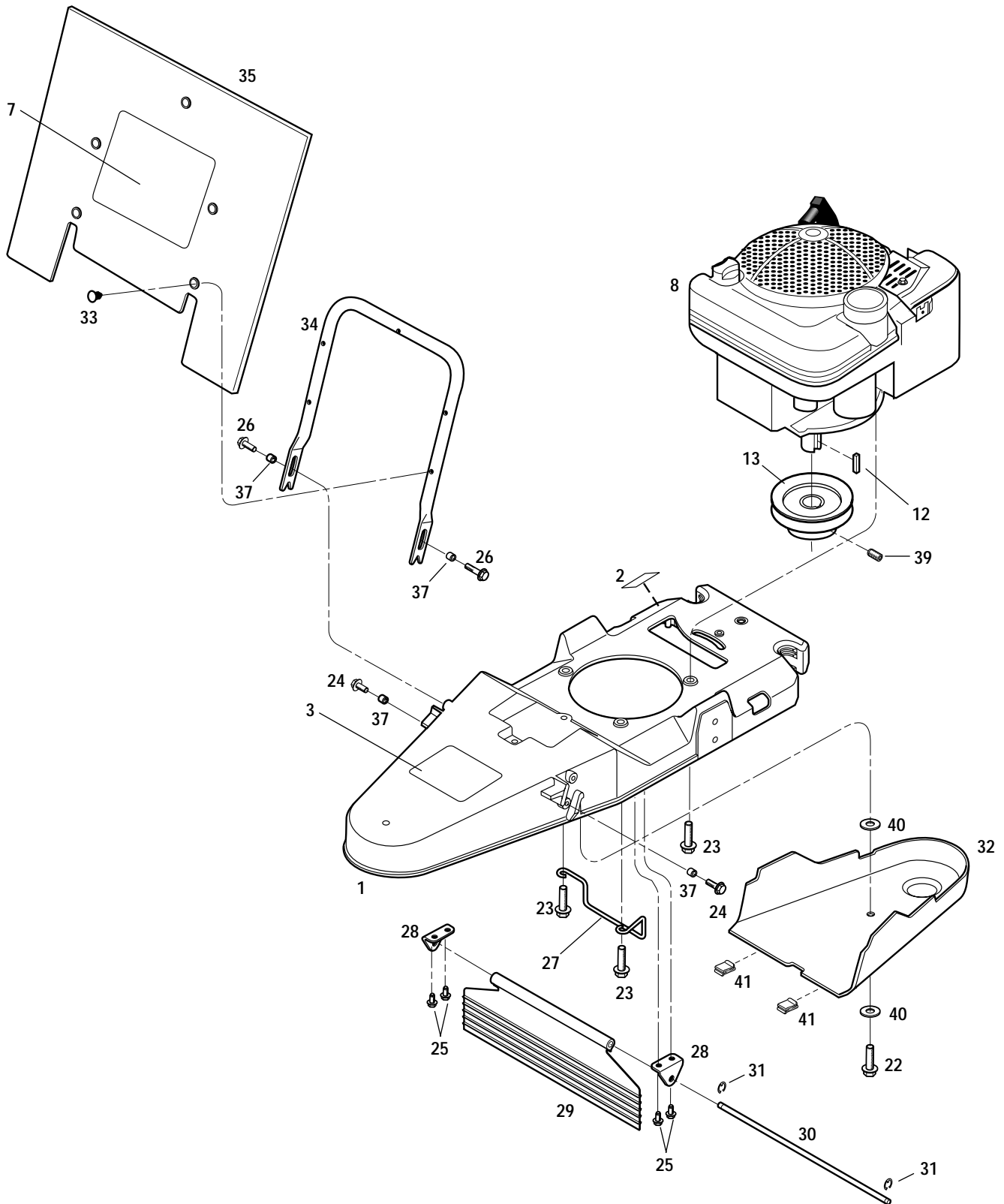


DRAWING NO. 1



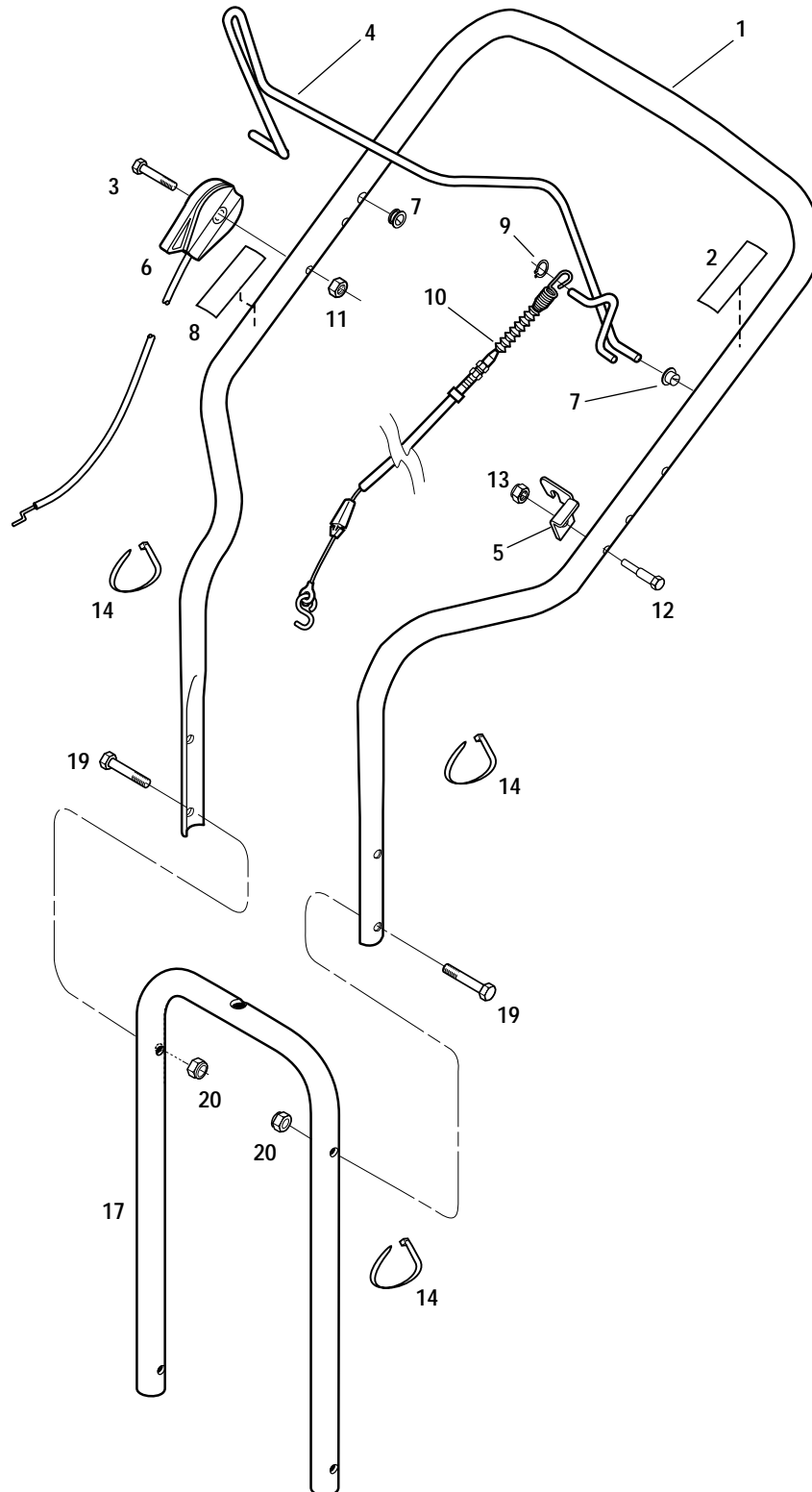
Model 52065

Ref. #	Part #	Description	Qty.	Ref. #	Part #	Description	Qty.
1	1916993	Deck (Incl. Refs. 2 and 3)	1	30	1915212	Deflector Flap Rod	1
2	1904511	Decal-Hot Surface.....	1	31	1185304	E-Ring, 5/16"	2
3	1918115	Decal-Warning/Thrown Objects	1	32	1915205	Belt Cover	1
7	1918082	Decal-Logo	1	33	1918415	Push-In Fastener	5
8	*	Engine.....	1	34	1915967	Debris Guard Support.....	1
12	9301	Key, 3/16" x 1" Sq.	1	35	1917765	Debris Guard	1
13	1915240	Pulley, 4" OD.....	1	37	1915320	Spacer	4
22	90063	Hex Hd. Flange Screw, 5/16-18 x 1.....	1	39	9677	Set Screw	1
23	1768194	Hex Hd. Flange Screw, 3/8-16 x 1-1/2	3	40	94018	Washer	2
24	1754128	Hex Hd. Flange Screw, 1/4-20 x 3/4	2	41	9218	Clip	2
25	1909301	Hex Hd. Flange Screw, 1/4-20 x 5/8	4				
26	1763187	Hex Hd. Flange Screw, 1/4-20 x 1.....	2				
27	1910865	Belt Guide	1				
28	1915219001	Flap Bracket	2				
29	1917154	Deflector Flap.....	1				

* Order parts from your local authorized engine dealer. Refer to engine for model/type number.

N/I Not included with unit, order separately

DRAWING NO. 2

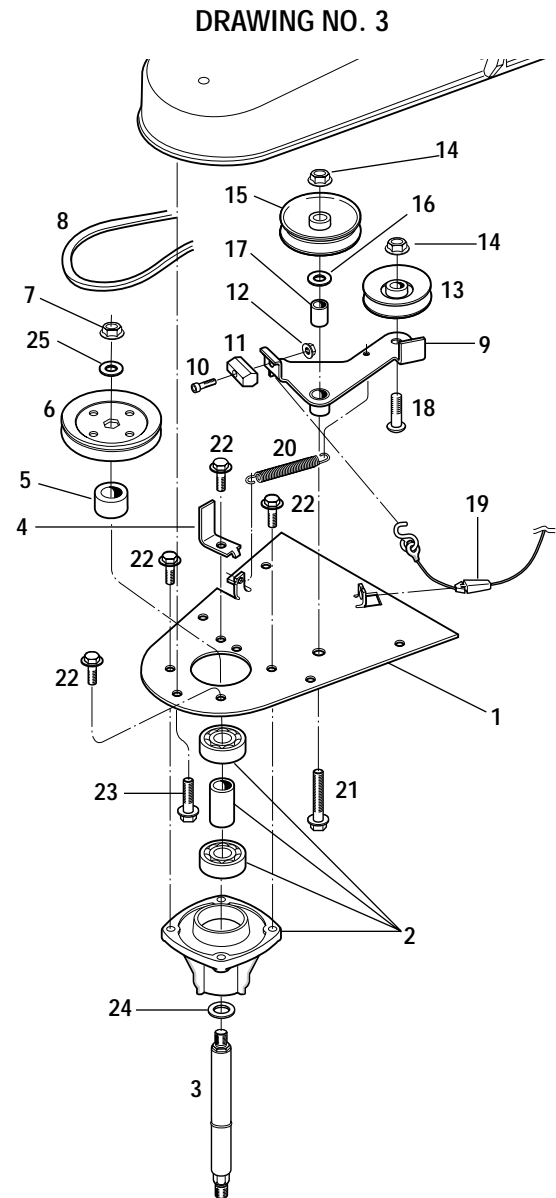


PARTS LIST – DRAWING NO. 2

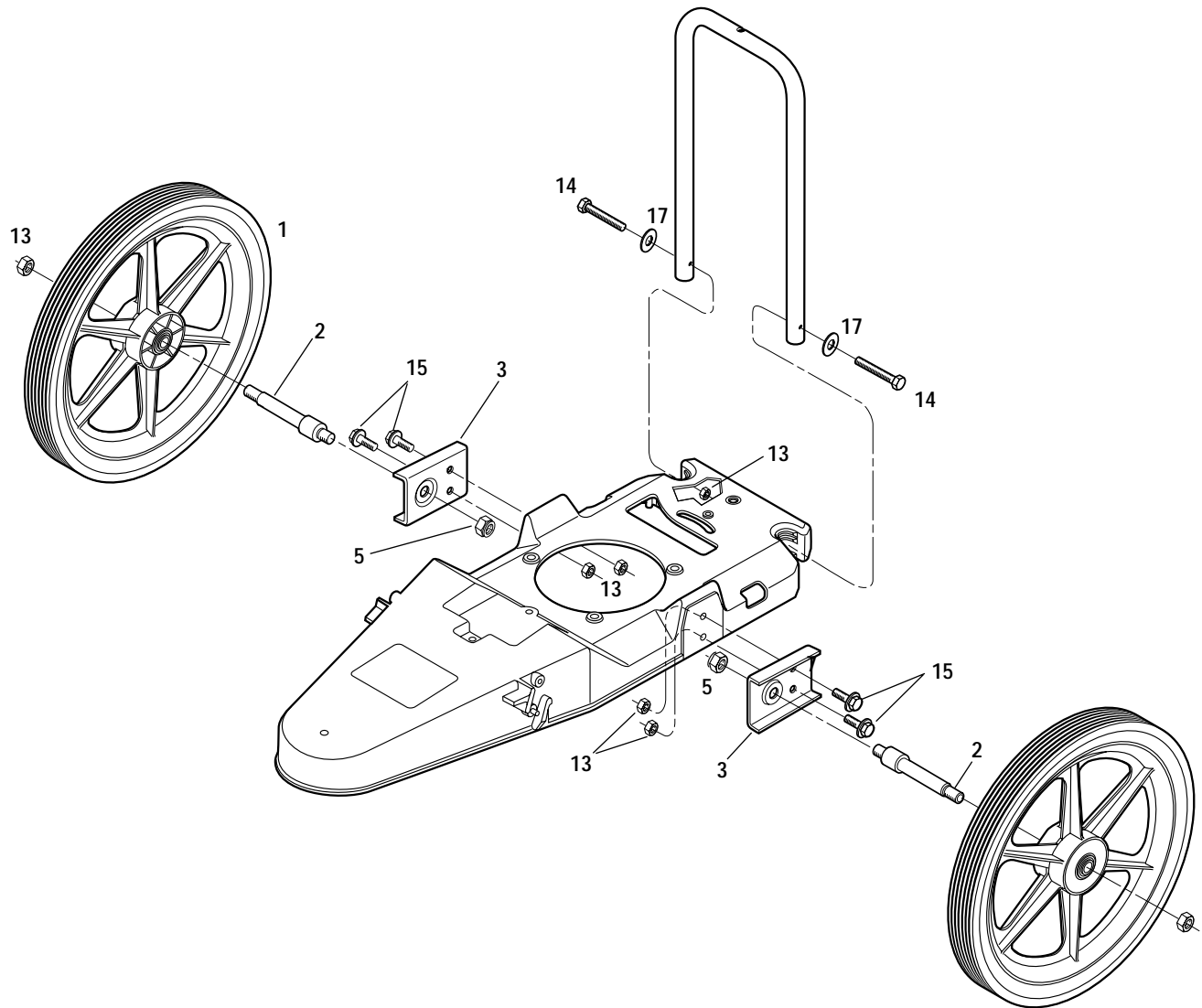
Ref. #	Part #	Description	Qty.	Ref. #	Part #	Description	Qty.
1	1915963	Upper Handlebar (Incl. Refs. 2 & 8)	1	10	1910852	Trimmer Head Control Cable	1
2	1915889	Decal-Bail Operation	1	11	1110106	Hex Lock Nut, 1/4-20	1
3	1100807	Hex Hd. Screw, 1/4-20 x 2	1	12	1983658	Hex Hd. Screw, 1/4-20 x 1-1/8	1
4	1917175	Trimmer Head Control Bail	1	13	1185814	Hex Flange Lock Nut, 1/4-20	1
5	1749977001	Cable Bracket	1	14	1763682	Cable Tie	3
6	1918081	Throttle Control & Cable	1	17	1910809001	Lower Handlebar	1
7	1908677	Nyliner Bushing	2	19	1100799	Hex Hd. Screw, 5/16-18 x 1-1/2, Gr. 5 ...	2
8	1918304	Decal-Throttle Settings	1	20	1732499	Lock Nut, 5/16-18	2
9	1908679	Push Cap, .312 I.D.	1				

PARTS LIST – DRAWING NO. 3

Ref. #	Part #	Description	Qty.
1	1910850001	Spindle Mounting Plate	1
2	1769048	Spindle Assembly	1
3	1915477	Spindle Shaft Assembly (Incl. Ref. 25) ...	1
4	1910860001	Belt Guide	1
5	1910856	Spindle Spacer	1
6	1910842	Spindle Pulley	1
7	1904308	Hex Flange Nut, 1/2-13	1
8	1915555	V-Belt	1
9	1904479	Idler Arm/Brake Shoe Assembly	1
10	1910859	Socket Hd Capscrew, 10-24 x 3/4	1
11	1910847	Brake Shoe	1
12	1983039	Hex Lock Nut, 10-24	1
13	1727978	V-Groove Idler Pulley	1
14	1186393	Hex Flange Nut, 3/8-16	2
15	1910855	Flat Idler Pulley	1
16	1915261	Washer, .88 x .382 x .275	1
17	1910854	Idler Arm Spacer	1
18	1910857	Button Head Screw, 3/8-16 x 1-1/2	1
19	1910852	Control Cable (also Ref. 13, Pg. 4)	1
20	1910849	Idler Tension Spring	1
21	1910858	Hex Flange Screw, 3/8 x 16 x 2-1/4	1
22	1909304	Hex Flange Screw, 5/16-18 x 3/4	4
23	90063	Hex Flange Screw, 5/16-18 x 1	5
24	9953	Hardened Shim, 3/4 ID x 1.022 OD x .060 thick	1
25	9928	Belleville Washer, 5/8	1



DRAWING NO. 4

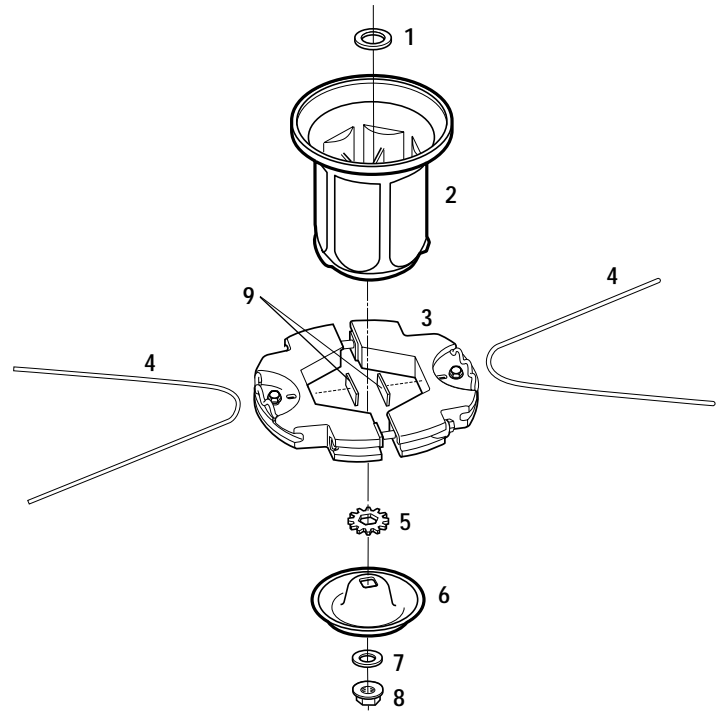


Ref. #	Part #	Description	Qty.	Ref. #	Part #	Description	Qty.
1	1917778	Wheel - 6 spoke	2	14	1111606	Hex Head Bolt, 5/16-18 x 2	2
2	1915823	Wheel Stud.....	2	15	1186331	Hex Flange Screw, 5/16-18 x 1.....	4
3	1915824	Wheel Mounting Bracket	2	17	9901	Washer, 5/16 ID	2
5	1733398	Top Lock Nut, 3/8-16	2				
13	1744708	Hex Lock Nut, 5/16-18	8				

Model 52065

DRAWING NO. 5

Ref. #	Part #	Description	Qty.
1	1910863	Shoulder Washer.....	1
2	1910861	Spindle Head.....	1
3	1918879	Trimmer Head.....	1
4	--	Trimmer String (see Refs. 1 and 2 below).....	--
5	1910862	Hex Spline Washer.....	1
6	1915220001	Wear Cup.....	1
7	1915239	Washer.....	1
8	1904308	Hex Flange Nut, 1/2-13.....	1
9	1918332	Rubber Shim Kit (2 shims). Affixed to two inner walls of trimmer head.....	1



ACCESSORIES AND KITS

Ref. #	Part #	Description	Qty.
1	1904476	Trimmer String Kit, .155" (includes 24 pieces).....	N/I
2	1904477	Trimmer String Kit, .130" (includes 24 pieces).....	N/I

N/I Not included with unit, order separately

